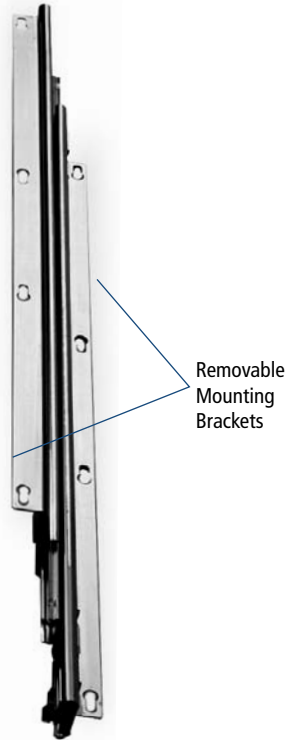


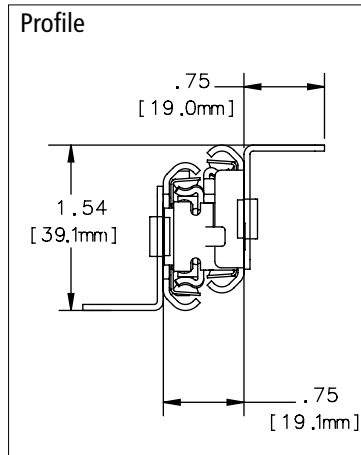
8000 Undermount Pantry Slide




Number	8000 Over-Travel Undermount Pantry Slide
Mounting	Bottom
Action	Telescopic Movement On Ball Bearings
Load Rating	130-Pound Class
Height	1.54"
Clearance	3/4" (Slide Only), 2-1/4" (With Brackets)
Finish	Anochrome (ANO)
Key Features	<ul style="list-style-type: none"> • Removable mounting brackets • Hold-in detent • Key-hole style mounting holes

Size, Finish, & Pack Availability

Available Pack Configurations		Screws
Poly (P)	1 Set per Bag; 5 Bags per Carton	Yes



8000 Anochrome (ANO) Finish	
Size	Poly (P)
12 in.	8000P 12
14 in.	8000P 14
16 in.	8000P 16
18 in.	8000P 18
20 in.	8000P 20
22 in.	8000P 22
24 in.	8000P 24
26 in.	8000P 26
28 in.	8000P 28

Recommended Fasteners		
	#8 x 5/8" Phillips Panhead	
KV Part	Finish	Qty.
200114-6	Zinc (ZC)	1000

OL2041/0308



KNAP & VOGT.
800.253.1561
www.kv.com

KV Pack Availability Code

Stock Item
Special Order