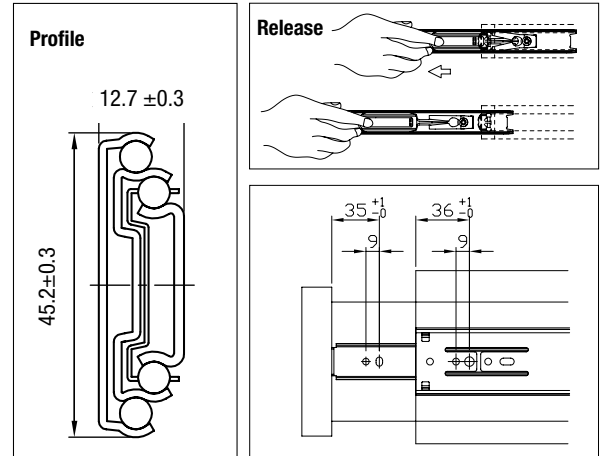
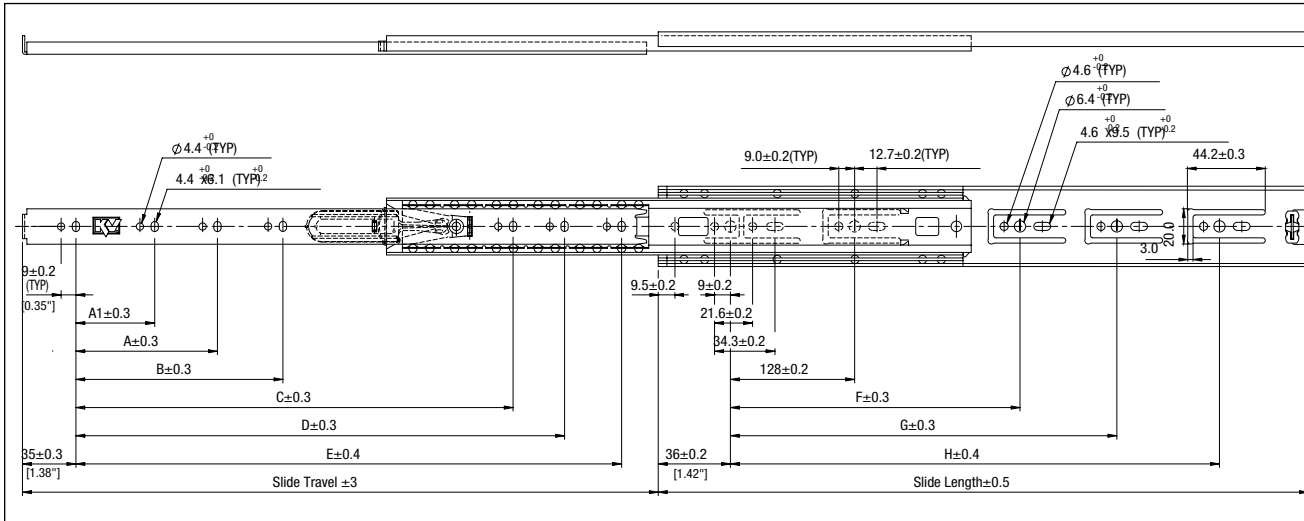




6400 Stainless Steel Drawer Slide



SKU Number	Slide Size inch/mm	Length inch/mm	Travel inch/mm	A1 inch/mm	A inch/mm	B inch/mm	C inch/mm	D inch/mm	E inch/mm	F inch/mm	G Inch/mm	H Inch/mm
6400P SS 10	10" [250mm]	9.84" [250mm]	10" [254mm]	-	-	-	-	-	7.56" [192mm]	-	-	-
6400P SS 12	12" [300mm]	11.81" [300mm]	12" [305mm]	-	-	-	-	-	9.53" [242mm]	8.82" [224mm]	-	-
6400P SS 14	14" [350mm]	13.78" [350mm]	14" [356mm]	-	-	-	-	-	11.50" [292mm]	8.82" [224mm]	-	-
6400P SS 16	16" [400mm]	15.75" [400mm]	16" [406mm]	-	-	12.60" [320mm]	-	-	13.46" [342mm]	8.82" [224mm]	12.60" [320mm]	-
6400P SS 18	18" [450mm]	17.72" [450mm]	18" [457mm]	5.04" [128mm]	-	12.60" [320mm]	-	-	15.43" [392mm]	8.82" [224mm]	13.86" [352mm]	-
6400P SS 20	20" [500mm]	19.69" [500mm]	20" [508mm]	5.04" [128mm]	-	12.60" [320mm]	-	-	17.40" [442mm]	8.82" [224mm]	16.38" [416mm]	-
6400P SS 22	22" [550mm]	21.65" [550mm]	22" [559mm]	5.04" [128mm]	-	-	-	16.38" [416mm]	19.37" [492mm]	8.82" [224mm]	13.86" [352mm]	17.64" [448mm]
6400P SS 24	24" [600mm]	23.62" [600mm]	24" [610mm]	5.04" [128mm]	-	-	16.38" [416mm]	-	21.34" [542mm]	8.82" [224mm]	13.86" [352mm]	18.90" [480mm]
6400P SS 26	26" [650mm]	25.59" [650mm]	26" [660mm]	5.04" [128mm]	8.82" [224mm]	-	16.38" [416mm]	21.42" [544mm]	23.30" [592mm]	8.82" [224mm]	13.86" [352mm]	21.42" [544mm]
6400P SS 28	28" [700mm]	27.56" [700mm]	28" [711mm]	5.04" [128mm]	8.82" [224mm]	-	17.64" [448mm]	21.42" [544mm]	23.30" [592mm]	8.82" [224mm]	13.86" [352mm]	21.42" [544mm]

Number: 6400 Stainless Steel Drawer Slide

Mounting: Side

Clearance: .50" [12.7mm]

Grease: USDA H-1 Rating

Height: 1.78 [45.2mm] (±0.3)

Load Rating: 100-Pound class

Materials: Stainless Steel (Type 304)

Travel: Full Extension

Action: Telescopic

Drawer Removal: Lever Disconnect

Hardware: Mounting hardware included.
16 - #8 x 1/2" Stainless Steel Pan Head screws included.

Sizes: 10", 12", 14", 16", 18", 20", 22", 24", 26", 28"

Packaged: Poly pack (6400P): All sizes...10 sets per box mounting hardware included.