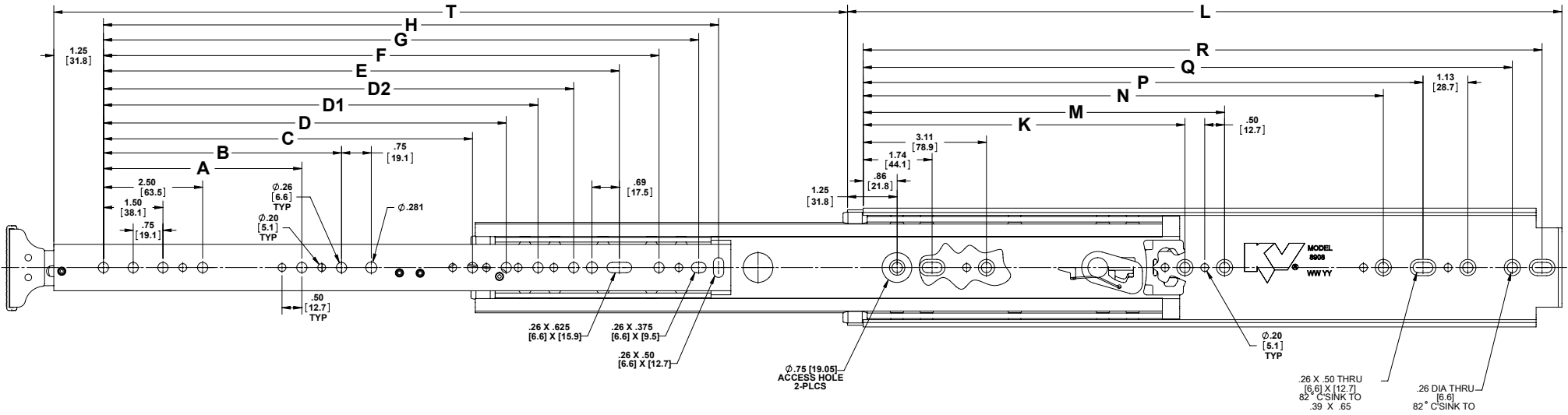
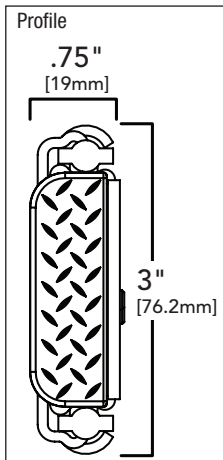


8908 Extra Heavy-Duty Full-Extension Lock-in/Lock-out Drawer Slide



| Size | A | B | C | D | D1 | D2 | E | F | G | H | K | M | N | P | Q | R |
|------|--------------|--------------|---------------|---------------|---------------|----------------|----------------|----------------|----------------|----------------|--------------|---------------|---------------|----------------|----------------|----------------|
| 12" | — | — | — | — | — | — | — | — | — | 7.81 [198.4] | — | — | — | 8.00 [203.2] | 10.25 [260.4] | 11.00 [279.4] |
| 14" | — | — | — | — | — | — | — | — | 9.06 [230.1] | 9.81 [249.2] | — | — | — | 10.00 [254.0] | 12.25 [311.2] | 13.00 [330.2] |
| 16" | 5.00 [127.0] | — | — | — | — | — | — | 10.06 [255.5] | 11.06 [280.9] | 11.81 [300.0] | — | — | — | 12.00 [304.8] | 14.25 [362.0] | 15.00 [381.0] |
| 18" | 5.00 [127.0] | — | — | — | — | — | — | 12.06 [306.3] | 13.06 [331.7] | 13.81 [350.8] | — | — | — | 14.00 [355.6] | 16.25 [412.8] | 17.00 [431.8] |
| 20" | 5.00 [127.0] | 7.50 [190.5] | — | — | — | — | — | 14.06 [357.1] | 15.06 [382.5] | 15.81 [401.6] | — | — | — | 16.00 [406.4] | 18.25 [463.6] | 19.00 [482.5] |
| 22" | 5.00 [127.0] | 7.50 [190.5] | — | — | — | — | 13.69 [347.7] | 16.06 [407.9] | 17.06 [433.3] | 17.81 [452.4] | — | — | — | 18.00 [457.2] | 20.25 [514.4] | 21.00 [533.4] |
| 24" | 5.00 [127.0] | 7.50 [190.5] | — | — | — | — | 15.69 [398.5] | 18.06 [458.7] | 19.06 [484.1] | 19.81 [503.2] | — | — | — | 20.00 [508.0] | 22.25 [565.2] | 23.00 [584.2] |
| 26" | 5.00 [127.0] | 7.50 [190.5] | — | — | — | — | 17.69 [449.3] | 20.06 [509.5] | 21.06 [534.9] | 21.81 [554.0] | — | — | — | 22.00 [558.8] | 24.25 [616.0] | 25.00 [635.0] |
| 28" | 5.00 [127.0] | 7.50 [190.5] | — | — | — | — | 19.69 [500.1] | 22.06 [560.3] | 23.06 [585.7] | 23.81 [604.8] | — | — | — | 24.00 [609.6] | 26.25 [666.8] | 27.00 [685.8] |
| 30" | 5.00 [127.0] | 7.50 [190.5] | — | — | — | — | 21.69 [550.9] | 24.06 [611.1] | 25.06 [636.5] | 25.81 [655.6] | 9.25 [235.0] | — | 19.75 [501.7] | 26.00 [660.4] | 28.25 [717.6] | 29.00 [736.5] |
| 32" | 5.00 [127.0] | 7.50 [190.5] | — | — | — | — | 23.69 [601.7] | 26.06 [661.1] | 27.06 [687.3] | 27.81 [706.4] | 9.25 [235.0] | 15.50 [393.7] | 21.75 [552.5] | 28.00 [711.2] | 30.25 [768.4] | 31.00 [787.4] |
| 34" | 5.00 [127.0] | 7.50 [190.5] | — | 18.50 [469.9] | — | — | 25.69 [652.5] | 28.06 [712.7] | 29.06 [738.1] | 29.81 [757.2] | 9.25 [235.0] | 16.50 [419.1] | 23.75 [603.3] | 30.00 [762.0] | 32.25 [819.2] | 33.00 [838.2] |
| 36" | 5.00 [127.0] | 7.50 [190.5] | — | 20.50 [520.7] | — | — | 27.69 [703.3] | 30.06 [763.5] | 31.06 [788.9] | 31.81 [808.0] | 9.25 [235.0] | 17.50 [444.5] | 25.75 [654.1] | 32.00 [812.8] | 34.25 [870.0] | 35.00 [889.0] |
| 40" | 5.00 [127.0] | 7.50 [190.5] | 14.50 [368.3] | — | — | — | 31.69 [804.9] | 34.06 [865.1] | 35.06 [890.5] | 35.81 [909.6] | 9.25 [235.0] | 21.50 [546.1] | 29.75 [755.7] | 36.00 [914.4] | 38.25 [971.6] | 39.00 [990.6] |
| 42" | 5.00 [127.0] | 7.50 [190.5] | 14.50 [368.3] | — | — | — | 33.69 [855.7] | 36.06 [915.9] | 37.06 [941.3] | 37.81 [960.4] | 9.25 [235.0] | 21.50 [546.1] | 31.75 [806.5] | 38.00 [965.2] | 40.25 [1022.4] | 41.00 [1041.4] |
| 44" | 5.00 [127.0] | 7.50 [190.5] | 14.50 [368.3] | 20.50 [520.7] | — | — | 35.69 [906.5] | 38.06 [966.7] | 39.06 [992.1] | 39.81 [1011.2] | 9.25 [235.0] | 21.50 [546.1] | 33.75 [857.3] | 40.00 [1016.0] | 42.25 [1073.2] | 43.00 [1092.2] |
| 48" | 5.00 [127.0] | 7.50 [190.5] | 14.50 [368.3] | 20.50 [520.7] | 32.50 [825.5] | — | 39.69 [1008.1] | 42.06 [1068.3] | 43.06 [1093.7] | 43.81 [1112.8] | 9.25 [235.0] | 23.50 [596.9] | 37.75 [958.9] | 44.00 [1174.8] | 46.25 [1174.8] | 47.00 [1193.8] |
| 60" | 5.00 [127.0] | 7.50 [190.5] | 14.50 [368.3] | 20.50 [520.7] | 32.50 [825.5] | 44.50 [1130.3] | 51.69 [1312.9] | 54.06 [1373.1] | 55.06 [1398.5] | 55.81 [1417.6] | 9.25 [235.0] | 23.50 [596.9] | 37.75 [958.9] | 56.00 [1422.4] | 58.25 [1479.6] | 59.00 [1498.6] |



Product: Extra Heavy-Duty Full-Extension Lock-in/Lock-out Drawer Slide

Mounting: Side

Clearance: .75" (+.030, -.030)

Load Rating: Up to 500 lbs. (based on application)

Height: 3" (+.020, -.020)

Finish: Zinc Plated

Action: Full Extension

Hardware Options: Cabinet members with .26" (6.6mm) holes: Use ¼" or [M6 Euro] flat, hex or pan-head screw
Cabinet members with .20" (5.2mm) holes: Use #10 or [M5 Euro] flat, hex or pan-head screw
Drawer members with .26" (6.6mm) holes: Use ¼" or [M6 Euro] hex, pan-head or button-head screw
Drawer members with .20" (5.2mm) holes: Use #10 or [M5 Euro] hex, pan-head or button-head screw
Maximum screw head height: .15" [4.8mm]; Maximum screw head diameter: .50" [12.7mm]

Notes: This slide must never be used as a pullout step, platform or any other application supporting human weight as injury may result. When installing 8908 slides in the flat orientation it is best to place a 1/16" thick shim between the drawer member and the drawer bin. This shim is to improve clearance so that the drawer bin does not interfere with the cabinet member under heavier loads.

Sizes: 10" (Lock-in only), 12", 14", 16", 18", 20", 22", 24", 26", 28", 30", 32", 34", 36", 40", 42", 44", 48", 60"

Packaging: Bulk pack (8908B):
12" to 20" 8 slides per box
22" to 28" 6 slides per box
30" to 36" 4 slides per box
40", 42", 44", 48", 60" 2 slides per box

Bulk Pack: Slides and 1 set of instructions per box. No mounting hardware.

Load Ratings: • 500 Pound Load Rating – Moderate Use
• 400 Pound Load Rating – Frequent use
• 300 Pound Load Rating – Mobile or Vehicular Use
• 100 Pound Flat Load Rating – Flat Orientation Applications

