

INSTALLATION INSTRUCTIONS

Enclosed CPU Cradle

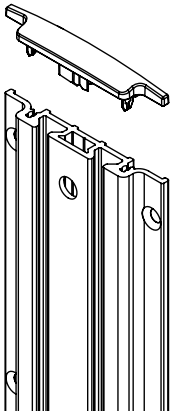


INSTALLATION WARNINGS: Read the entire instruction sheet before you begin installation or assembly. Installer must verify that the wall will safely support the combined weight of all the attached equipment and hardware. Improper installation of this product can cause extensive property damage or serious personal injury, either during or after the installation. It is the responsibility of the installer to ensure that all applications including wood, concrete, block, brick, steel, etc. are secured properly to code. California installations could require specific anchorage, and additional mounting screws. Check with local authorities for codes in your area. Other seismic states have similar regulations.

DISCLAIMER: The Manufacturer and/or Distributor will bear no responsibility for any damages of any kind arising from any improper installation of this product. Because wall construction varies widely and the ultimate method of mounting is out of the Manufacturers or Distributors control, it is imperative that the installer consult with local engineering, architectural, or construction personal to ensure the wall mount is constructed properly and to code to handle the applied load.

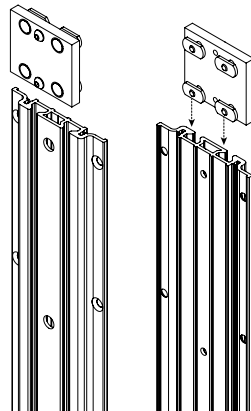
1.0

Remove the end cap at one end of the track slider.



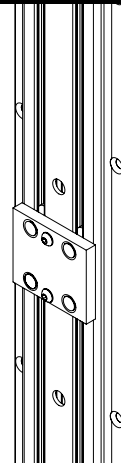
2.0

Slide the CPU carriage onto the track.



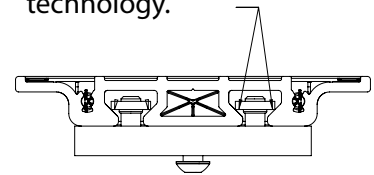
3.0

Secure the carriage onto the track



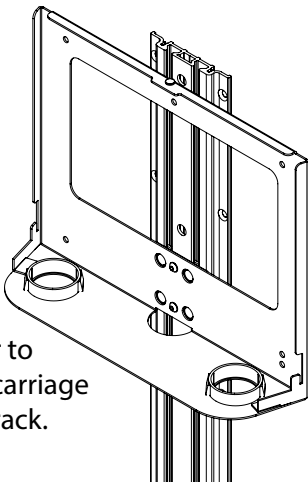
3.5

T-Nuts must engage edge of track. Tighten fully and test the CPU Holder remains in place prior to installing any technology.



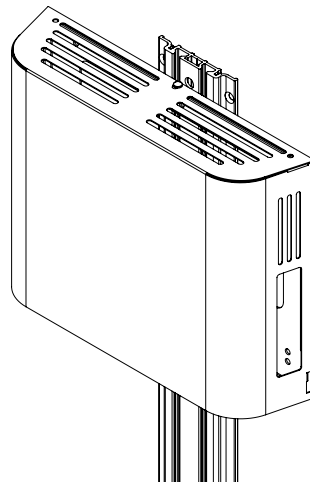
4.0

Secure back cover to mounted carriage onto the track.



5.0

Snap on front cover and install cable sleeve onto the track.



6.0

Replace the end cap.

