

8300 3/4 Extension Quick Disconnect Rail Box Drawer Slide



Features

- 32mm mounting hole pattern
- Non-handed quick disconnect drawer members
- Recommended maximum drawer width 24"

Mounting: Side

Action: Ball-bearing

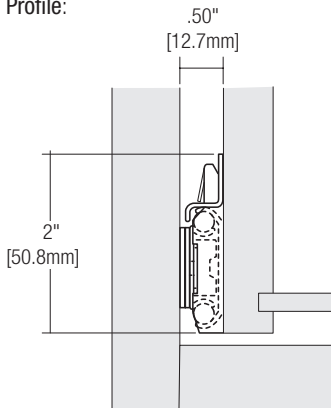
Load Rating: 75 lb. class

Height: 2" [50.8mm] (includes quick disconnect rails)

Clearance: .50" + .03" - 0" on each side

Finish: Anochrome (ANO), Ebony Black (EB)

Profile:



Configurations



Poly (P)	1 pair per bag with screws; 10 pairs per carton	
Quantity (Q)	20 pairs per carton without screws; multiple cartons	
8300 Anochrome (ANO) Finish		
Size	Poly (P)	Quantity (Q)
12"	8300P 12	—
14"	8300P 14	8300Q 14
16"	8300P 16	8300Q 16
18"	8300P 18	8300Q 18
20"	8300P 20	8300Q 20
22"	8300P 22	8300Q 22
24"	8300P 24	8300Q 24
8300 Ebony Black (EB) Finish		
16"	—	8300Q EB 16
18"	—	8300Q EB 18
20"	—	8300Q EB 20
22"	—	8300Q EB 22

Recommended Fasteners		KV Part	Finish	Qty
	#7 x 1/2" Phillips Pan Head	8500-93	Zinc (ZC)	1000
		8500-93 EB	Ebony Black (EB)	1000

☐ Non-stock item – minimum order quantities and additional lead time may apply.