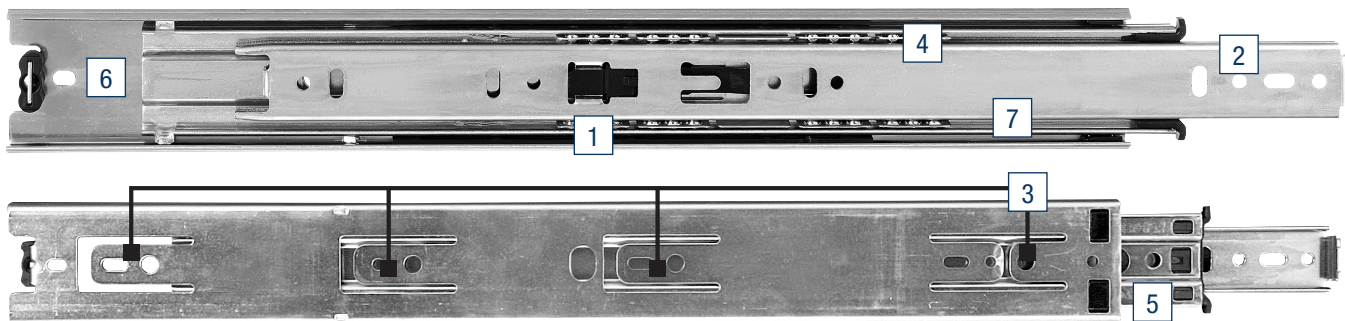
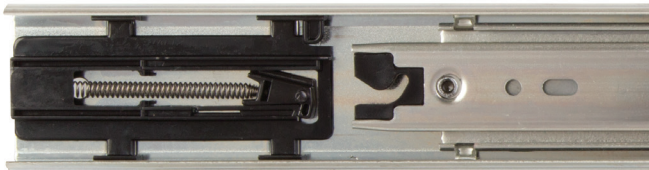


8400 Series Drawer Slides



1. Push-in button for drawer disconnect is ergonomically designed for easy drawer removal.
2. Traditional and 32mm hole pattern supports industry standards for safely fastening slide in place.
3. Reversed flex tabs allow improved slide performance with side clearance tolerance adjustments.
4. Rolled ball-bearing raceway allows lateral loads to be carried by ball-bearings and not transferred to bushings sliding on metal.
5. Mounting hole is provided for face frame applications to eliminate the need for a separate bracket.
6. Access holes allow for drawer adjustments at full extension without removing drawer.
7. Lacquer finish provides superior corrosion resistance.

Self-Close Series Drawer Slides



Self-close slides use spring technology to close a drawer.

Models and Descriptions:

8417: Self-closing full extension

8419: Self-closing over travel drawer slide

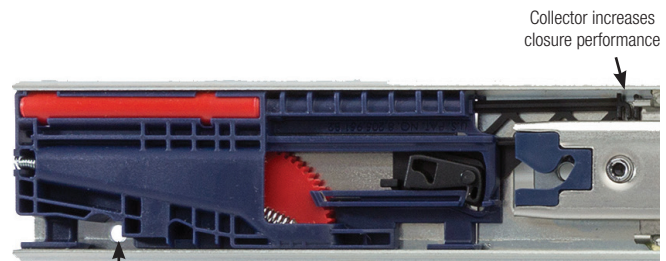
8400RV: Heavy-duty self-closing full extension drawer slide

Features and Benefits:

- Self-close feature assist with the closing of a drawer and is fully integrated into the slide
- RV version has stronger springs to ensure closure in mobile applications

8450FM Soft-Close Drawer Slide

The new KV8450FM Series is a step forward in side-mounted ball-bearing drawer slides. The KV8450FM series incorporates state-of-the-art soft-close technology. The fully integrated soft-close module brings drawer box to a smooth, quiet and secure closure.



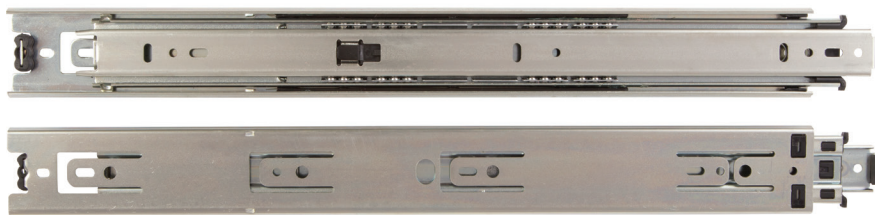
Collector increases closure performance

Optional rear mounting hole increases mounting options

8450FM Series Features and Benefits

- Patented KV design incorporates dampening cylinder with balanced spring technology
- Soft-close module is fully integrated into an KV8400 style slide with same side clearance allowing cabinet makers to migrate directly to KV8450FM series products with no set up changes
- Exceeds KCMA, BHMA and BIFMA standards of performance: over 50,000 cycles including the soft-close module

8400 Full Extension Box or File Drawer Slide



Features

- 32mm hole pattern with direct access mounting
- Lever disconnect for easy drawer removal
- Non-handed design
- Recommended maximum drawer width 24"

Mounting: Side

Action: Telescopic movement on ball-bearings

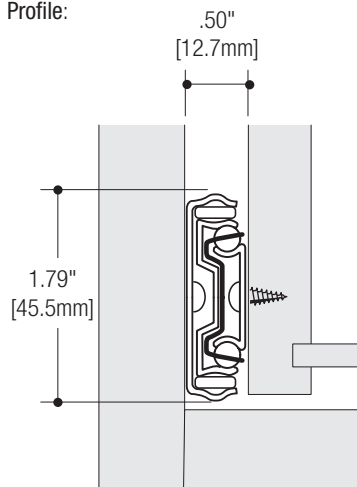
Load Rating: 100 lb. class

Height: 1.79" [45.5mm]

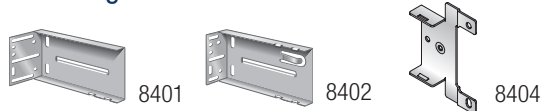
Clearance: .50" + .03" - 0" on each side

Finish: Anochrome (ANO), Ebony Black (EB), White (WH)

Profile:



Mounting Brackets



| Product | Front or Rear | Finish | Pack |
|-----------|---------------|------------------|------------------------------|
| 8401 | Rear | Zinc (ZC) | 20 brackets/carton |
| 8402 | Rear | Zinc (ZC) | 20 brackets/carton |
| 8402BBL | Rear | Zinc (ZC) | 400 brackets/carton |
| 8402WP | Rear | Zinc (ZC) | 20 brackets/warehouse pack |
| 8404 | Front | Zinc (ZC) | 20 brackets/carton |
| 8404B | Front | Zinc (ZC) | 400 brackets/carton |
| 8404 EB | Front | Ebony Black (EB) | 20 brackets/carton |
| 8404BBL | Front | Zinc (ZC) | 400 brackets/carton |
| 8404B KIT | Both | Zinc (ZC) | 2 [8403] + 2 [8404] + screws |

Configurations



| | | | |
|-------------------------------------|-------------------------------------------------|-----------------|---------------------|
| Bulk (B) | 10 pairs per carton without screws | | |
| Poly (P) | 1 pair per bag with screws; 10 pairs per carton | | |
| Quantity (Q) | 50 pairs without screws; multiple cartons | | |
| 8400 Anochrome (ANO) Finish | | | |
| Size | Bulk (B) | Poly (P) | Quantity (Q) |
| 6" | 8400B 6 | – | – |
| 8" | 8400B 8 | 8400P 8 | 8400Q 8 |
| 10" | 8400B 10 | 8400P 10 | 8400Q 10 |
| 12" | 8400B 12 | 8400P 12 | 8400Q 12 |
| 14" | 8400B 14 | 8400P 14 | 8400Q 14 |
| 16" | 8400B 16 | 8400P 16 | 8400Q 16 |
| 18" | 8400B 18 | 8400P 18 | 8400Q 18 |
| 20" | 8400B 20 | 8400P 20 | 8400Q 20 |
| 22" | 8400B 22 | 8400P 22 | 8400Q 22 |
| 24" | 8400B 24 | 8400P 24 | 8400Q 24 |
| 26" | 8400B 26 | 8400P 26 | 8400Q 26 |
| 28" | 8400B 28 | 8400P 28 | 8400Q 28 |
| 8400 Ebony Black (EB) Finish | | | |
| 8" | 8400B EB 8 | 8400P EB 8 | 8400Q EB 8 |
| 10" | 8400B EB 10 | 8400P EB 10 | 8400Q EB 10 |
| 12" | 8400B EB 12 | 8400P EB 12 | 8400Q EB 12 |
| 14" | 8400B EB 14 | 8400P EB 14 | 8400Q EB 14 |
| 16" | 8400B EB 16 | 8400P EB 16 | 8400Q EB 16 |
| 18" | 8400B EB 18 | 8400P EB 18 | 8400Q EB 18 |
| 20" | 8400B EB 20 | 8400P EB 20 | 8400Q EB 20 |
| 22" | 8400B EB 22 | 8400P EB 22 | 8400Q EB 22 |
| 24" | 8400B EB 24 | 8400P EB 24 | 8400Q EB 24 |
| 26" | 8400B EB 26 | 8400P EB 26 | 8400Q EB 26 |
| 28" | 8400B EB 28 | 8400P EB 28 | 8400Q EB 28 |
| 8400 White (WH) Finish | | | |
| 8" | 8400B WH 8 | 8400P WH 8 | – |
| 10" | 8400B WH 10 | 8400P WH 10 | – |
| 12" | 8400B WH 12 | 8400P WH 12 | – |
| 14" | 8400B WH 14 | 8400P WH 14 | – |
| 16" | 8400B WH 16 | 8400P WH 16 | – |
| 18" | 8400B WH 18 | 8400P WH 18 | – |
| 20" | 8400B WH 20 | 8400P WH 20 | – |
| 22" | 8400B WH 22 | 8400P WH 22 | – |
| 24" | 8400B WH 24 | 8400P WH 24 | – |
| 26" | 8400B WH 26 | 8400P WH 26 | – |
| 28" | 8400B WH 28 | 8400P WH 28 | – |

| Recommended Fasteners | | KV Part | Finish | Qty |
|-----------------------|-----------------------------|------------|------------------|------|
| | #7 x 1/2" Phillips Pan Head | 8500-93 | Zinc (ZC) | 1000 |
| | | 8500-93 EB | Ebony Black (EB) | 1000 |
| | | 8500-93 WH | White (WH) | 50 |

☐ Non-stock item – minimum order quantities and additional lead time may apply.