

8405 Over Travel Box or File Drawer Slide



Features

- 1" over travel for full access to drawer contents
- Lever disconnect for easy drawer removal
- Non-handed design
- Recommended maximum drawer width 24"

Mounting: Side

Action: Telescopic action on ball-bearings

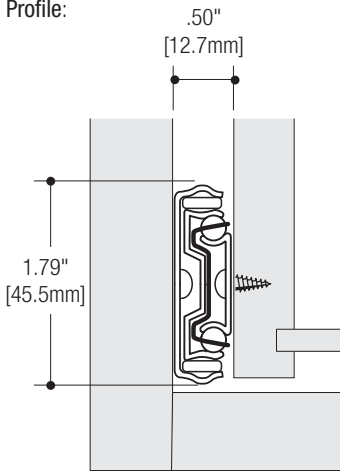
Load Rating: 100 lb. class

Height: 1.79" [45.5mm]

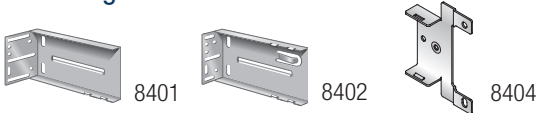
Clearance: .50" + .03" - 0" on each side

Finish: Anochrome (ANO), Ebony Black (EB)

Profile:



Mounting Brackets



Product	Front or Rear	Finish	Pack
8401	Rear	Zinc (ZC)	20 brackets/carton
8402	Rear	Zinc (ZC)	20 brackets/carton
8402BBL	Rear	Zinc (ZC)	400 brackets/carton
8402WP	Rear	Zinc (ZC)	20 brackets/warehouse pack
8404	Front	Zinc (ZC)	20 brackets/carton
8404B	Front	Zinc (ZC)	400 brackets/carton
8404 EB	Front	Ebony Black (EB)	20 brackets/carton
8404BBL	Front	Zinc (ZC)	400 brackets/carton
8404B KIT	Both	Zinc (ZC)	2 [8403] + 2 [8404] + screws


Configurations



Bulk (B)	10 pairs per carton without screws
Poly (P)	1 pair per bag with screws; 10 pairs per carton
Quantity (Q)	50 pairs without screws; multiple cartons

8405 Anochrome (ANO) Finish			
Size	Bulk (B)	Poly (P)	Quantity (Q)
10"	8405B 10	8405P 10	8405Q 10
12"	8405B 12	8405P 12	8405Q 12
14"	8405B 14	8405P 14	8405Q 14
16"	8405B 16	8405P 16	8405Q 16
18"	8405B 18	8405P 18	8405Q 18
20"	8405B 20	8405P 20	8405Q 20
22"	8405B 22	8405P 22	8405Q 22
24"	8405B 24	8405P 24	8405Q 24
26"	8405B 26	8405P 26	8405Q 26
28"	8405B 28	8405P 28	8405Q 28

8405 Ebony Black (EB) Finish			
10"	8405B EB 10	8405P EB 10	8405Q EB 10
12"	8405B EB 12	8405P EB 12	8405Q EB 12
14"	8405B EB 14	8405P EB 14	8405Q EB 14
16"	8405B EB 16	8405P EB 16	8405Q EB 16
18"	8405B EB 18	8405P EB 18	8405Q EB 18
20"	8405B EB 20	8405P EB 20	8405Q EB 20
22"	8405B EB 22	8405P EB 22	8405Q EB 22
24"	8405B EB 24	8405P EB 24	8405Q EB 24
26"	8405B EB 26	8405P EB 26	8405Q EB 26
28"	8405B EB 28	8405P EB 28	8405Q EB 28

Recommended Fasteners	KV Part	Finish	Qty
	#7 x 1/2" Phillips Pan Head	Zinc (ZC)	1000
		Ebony Black (EB)	1000

☐ Non-stock item – minimum order quantities and additional lead time may apply.