

# 8908, 8909, 8910 Extra Heavy-Duty Full Extension Locking Drawer Slides



## Features

- Automatic lock-in/lock-out feature
- Intuitive uni-directional release/closure
- Removable, ergonomic handle
- Spring-activated latches for vertical and horizontal mounting
- Non-disconnect

8908: Extra Heavy-Duty full extension lock-in/lock-out slide

8909: Extra Heavy-Duty full extension lock-out only slide

8910: Extra Heavy-Duty full extension lock-in only slide

**Mounting:** Side or flat mount

**Action:** Telescopic movement on ball-bearings

**Load Rating:** 100–500 lb. class depending on application

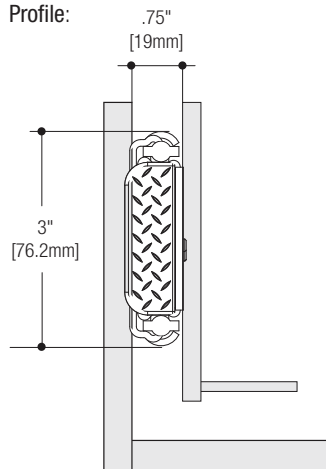
- 100 lb. flat mount rating

**Height:** 3" [76.2mm]

**Clearance:** .75" + .03" - 0" on each side

**Finish:** Zinc (ZC)

**Profile:**



## Configurations

Bulk (B)	10" – 20": 8 slides per carton without screws 22" – 28": 6 slides per carton without screws 30" – 36": 4 slides per carton without screws 40", 42", 44", 48", 60": 2 slides per carton without screws Each slide is poly-bagged with instructions included Sold per slide, not pair		
8908, 8909 & 8910 Zinc (ZC) Finish			
Size	8908 Lock-in/Lock-out	8909 Lock-out Only	8910 Lock-in Only
10"	–	8909B 10	8910B 10
12"	8908B 12	8909B 12	8910B 12
14"	8908B 14	8909B 14	8910B 14
16"	8908B 16	8909B 16	8910B 16
18"	8908B 18	8909B 18	8910B 18
20"	8908B 20	8909B 20	8910B 20
22"	8908B 22	8909B 22	8910B 22
24"	8908B 24	8909B 24	8910B 24
26"	8908B 26	8909B 26	8910B 26
28"	8908B 28	8909B 28	8910B 28
30"	8908B 30	8909B 30	8910B 30
32"	8908B 32	8909B 32	8910B 32
34"	8908B 34	8909B 34	8910B 34
36"	8908B 36	8909B 36	8910B 36
40"	8908B 40	8909B 40	8910B 40
42"	8908B 42	8909B 42	8910B 42
44"	8908B 44	8909B 44	8910B 44
48"	8908B 48	8909B 48	8910B 48
60"	8908B 60	8909B 60	8910B 60

Note: This slide must never be used as a pull-out step, platform, or any other application supporting human weight as injury may result.

Note: The 8908 slide is designed for applications in the 100 – 500 lb. class based on application: modest use 500 lbs.; normal use 400 lbs.; vehicular use 300 lbs.; flat mount 100 lbs..

■ Non-stock item – minimum order quantities and additional lead time may apply.