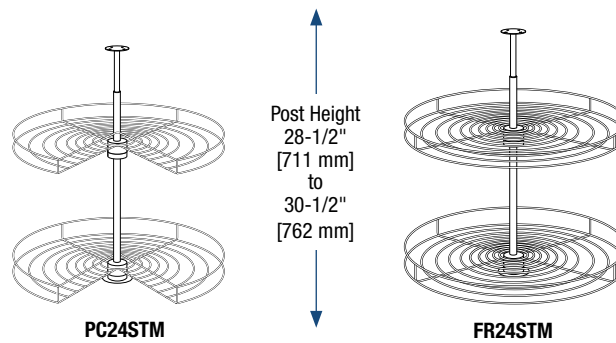
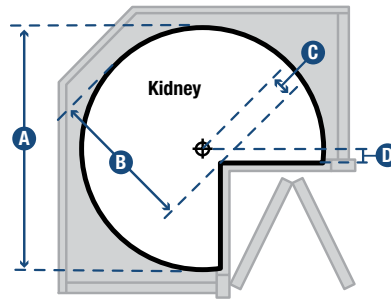




Wire Full-Round & Kidney-Shaped Lazy Susans

- KV Eco-Friendly Frosted Nickel finish or White
- Individual shelf rotation on chrome 1" diameter telescoping post
- Shelf mounting system allows for unlimited shelf positions on post



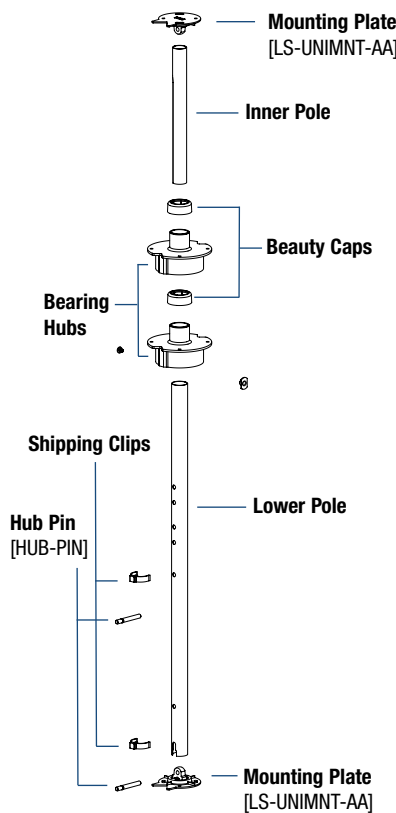
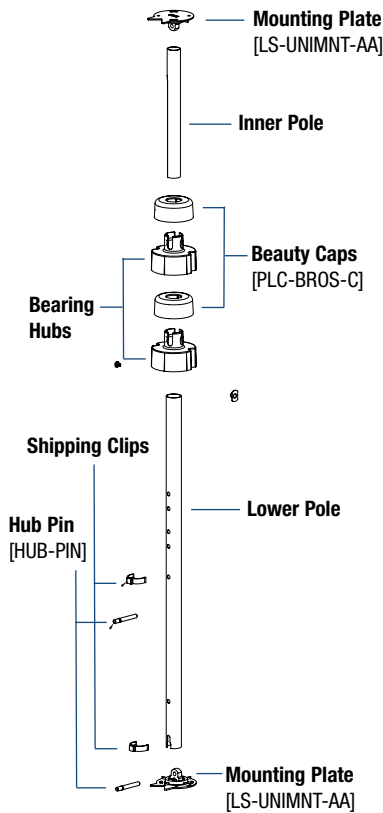
Stock #	Diameter				Assembled Product Dimensions				Finish	Units per Carton	Weight per Carton
	A	B	C	D	A	B	C	D			
FULL-ROUND											
FR24STM-FN	24" [609.6 mm]	–	–	–	–	–	–	–	Frosted Nickel*	1	12.8 lbs. [5.8 kg.]
FR28STM-FN	28" [711.2 mm]	–	–	–	–	–	–	–	Frosted Nickel*	1	17.2 lbs. [7.8 kg.]
FR24STM-W	24" [609.6 mm]	–	–	–	–	–	–	–	White	1	12.8 lbs. [5.8 kg.]
FR28STM-W	28" [711.2 mm]	–	–	–	–	–	–	–	White	1	17.2 lbs. [7.8 kg.]
KIDNEY-SHAPED											
PC24STM-FN	24" [610 mm]	14-3/8" [365 mm]	2-3/8" [60 mm]	1-11/16" [43 mm]	–	–	–	–	Frosted Nickel*	1	12.1 lbs. [5.5 kg.]
PC28STM-FN	28" [711 mm]	18-5/8" [473 mm]	4-5/8" [117 mm]	3-5/16" [84 mm]	–	–	–	–	Frosted Nickel*	1	16.4 lbs. [7.5 kg.]
PC32STM-FN	32" [813 mm]	20-3/4" [527 mm]	4-3/4" [121 mm]	3-3/8" [86 mm]	–	–	–	–	Frosted Nickel*	1	18 lbs. [8.2 kg.]
PC24STM-W	24" [610 mm]	14-3/8" [365 mm]	2-3/8" [60 mm]	1-11/16" [43 mm]	–	–	–	–	White	1	12.1 lbs. [5.5 kg.]
PC28STM-W	28" [711 mm]	18-5/8" [473 mm]	4-5/8" [117 mm]	3-5/16" [84 mm]	–	–	–	–	White	1	16.4 lbs. [7.5 kg.]
PC32STM-W	32" [813 mm]	20-3/4" [527 mm]	4-3/4" [121 mm]	3-3/8" [86 mm]	–	–	–	–	White	1	18 lbs. [8.2 kg.]

* Eco-Friendly. See page 4 for more information.

Lazy Susan Post Replacement Parts

1 For POLYMER Full-Round / Kidney Shelves

2 For WOOD Full-Round / Kidney Shelves



NOTE: Items with part numbers may be ordered individually, see page 27.

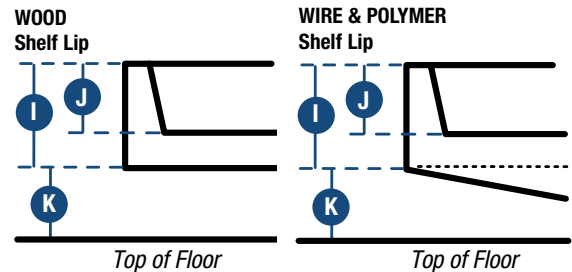
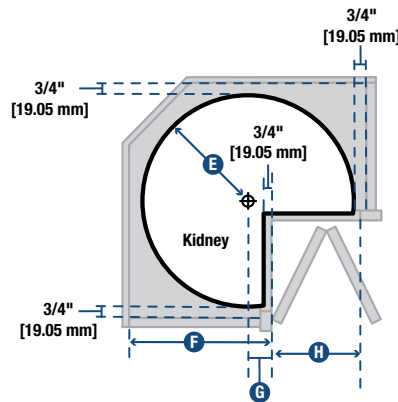
LAZY SUSAN POST HARDWARE PACKS											
STANDARD PACK #	Pkd.	BULK PACK #	Pkd.	For Shelf Type(s)	Bearing Hubs	Beauty/Post Caps	Mounting Plates	Post Height Range	STD. PK. Carton Wt.	BULK PK. Carton Wt.	
FULL-ROUND											
2	HWR-WFS-1-PC	1	–	–	Wood	Platinum	Chrome	Metal Unimount	25-1/2" – 31-1/2" [635 mm - 787 mm]	2.8 lbs. [1.3 kg.]	–
1	HN-F-TEL-PT	1	–	–	Polymer	White	–	Metal Unimount	25-1/2" – 31-1/2" [635 mm - 787 mm]	4.8 lbs. [2.2 kg.]	24 lbs. [10.9 kg.]
KIDNEY-SHAPED											
2	HWR-WKS-1-PC	1	–	–	Wood	Platinum	Chrome	Metal Unimount	25-1/2" – 31-1/2" [635 mm - 787 mm]	2.8 lbs. [1.3 kg.]	–
2	–	1	HWR-WS-BLK-10	10	Wood	White	White	White Plastic Unimount	25-1/2" – 31-1/2" [635 mm - 787 mm]	–	20 lbs. [9.1 kg.]
2	HWR-WS-1-DWL	1	–	–	Wood	White	White	Doweled White Plastic Unimount	25-1/2" – 31-1/2" [635 mm - 787 mm]	2.6 lbs. [1.2 kg.]	21.4 lbs. [9.7 kg.]
1	HN-K-TEL-PT	1	–	–	Polymer	White	Chrome	Metal Unimount	25-1/2" – 31-1/2" [635 mm - 787 mm]	1.9 lbs. [0.9 kg.]	9.5 lbs. [4.3 kg.]

All hardware packs include hub pins [HUB-PIN], shipping clips, installation hardware and instruction sheets.

Cabinet and Shelf Lip Dimensions

KIDNEY-SHAPED LAZY SUSANS

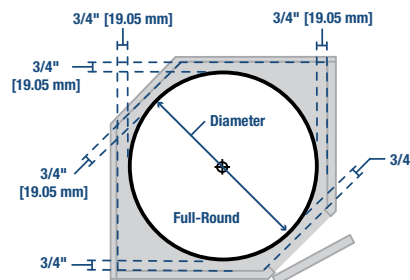
- E** = Radius
- F** = Min. Cabinet Depth
- G** = Center of Rotation
- H** = Min. Cabinet Opening



Stock #	E	F	G	H	I	J	K	Mounting
WOOD Kidney-Shaped Lazy Susans								
SDS-KD-28-FNW	14-7/16" [367 mm]	21-5/8" [549 mm]	6-7/16" [164 mm]	9-1/4" [235 mm]	4-1/8" [105 mm]	3-7/16" [87 mm]	2-1/16" [52 mm]	Top/Bottom
WIRE Kidney-Shaped Lazy Susans								
PC24STM-W	12" [305 mm]	15-3/16" [386 mm]	2-7/16" [62 mm]	10" [254 mm]	2" [51 mm]	1-3/4" [44 mm]	2-3/8" [60 mm]	Top/Bottom
PC28STM-W	14" [356 mm]	18-13/16" [478 mm]	4-1/16" [103 mm]	10-1/8" [257 mm]	2" [51 mm]	1-3/4" [44 mm]	2-3/8" [60 mm]	Top/Bottom
PC32STM-W	16" [406 mm]	20-7/8" [530 mm]	4-1/8" [105 mm]	12-1/16" [306 mm]	2" [51 mm]	1-3/4" [44 mm]	2-3/8" [60 mm]	Top/Bottom
PC24STM-FN	12" [305 mm]	15-3/16" [386 mm]	2-7/16" [62 mm]	10" [254 mm]	2" [51 mm]	1-3/4" [44 mm]	2-3/8" [60 mm]	Top/Bottom
PC28STM-FN	14" [356 mm]	18-13/16" [478 mm]	4-1/16" [103 mm]	10-1/8" [257 mm]	2" [51 mm]	1-3/4" [44 mm]	2-3/8" [60 mm]	Top/Bottom
PC32STM-FN	16" [406 mm]	20-7/8" [530 mm]	4-1/8" [105 mm]	12-1/16" [306 mm]	2" [51 mm]	1-3/4" [44 mm]	2-3/8" [60 mm]	Top/Bottom
POLYMER Kidney-Shaped Lazy Susans								
PKN18ST-W	9" [229 mm]	11-7/16" [291 mm]	1-11/16" [43 mm]	7-5/8" [194 mm]	1-3/4" [44 mm]	1" [25 mm]	1/2" – 1-5/16" [13 – 33 mm]	Top/Bottom
PKN24ST-W	12" [305 mm]	15-1/8" [384 mm]	2-3/8" [60 mm]	10" [254 mm]	1-3/4" [44 mm]	1" [25 mm]	1/2" – 1-5/16" [13 – 33 mm]	Top/Bottom
PKN28ST-W	14" [356 mm]	18-9/16" [471 mm]	3-13/16" [97 mm]	10-1/4" [260 mm]	1-3/4" [44 mm]	1" [25 mm]	1/2" – 1-5/16" [13 – 33 mm]	Top/Bottom
PKN32ST-W	16" [406 mm]	21-15/16" [557 mm]	5-3/16" [132 mm]	10-1/2" [267 mm]	1-3/4" [44 mm]	1" [25 mm]	1/2" – 1-5/16" [13 – 33 mm]	Top/Bottom

FULL-ROUND LAZY SUSANS

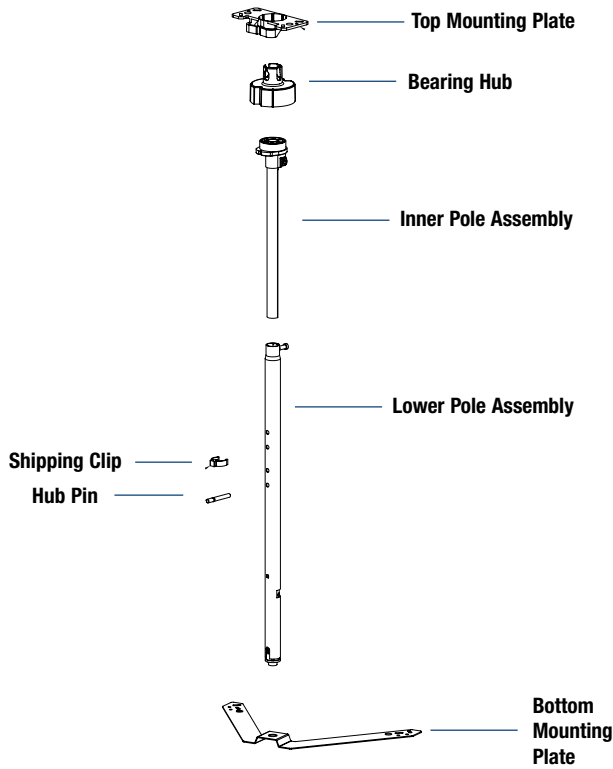
A minimum 3/4" side clearance is recommended between Full-Round Lazy Susan shelves and all adjacent interior surfaces (cabinet, wall, etc.).



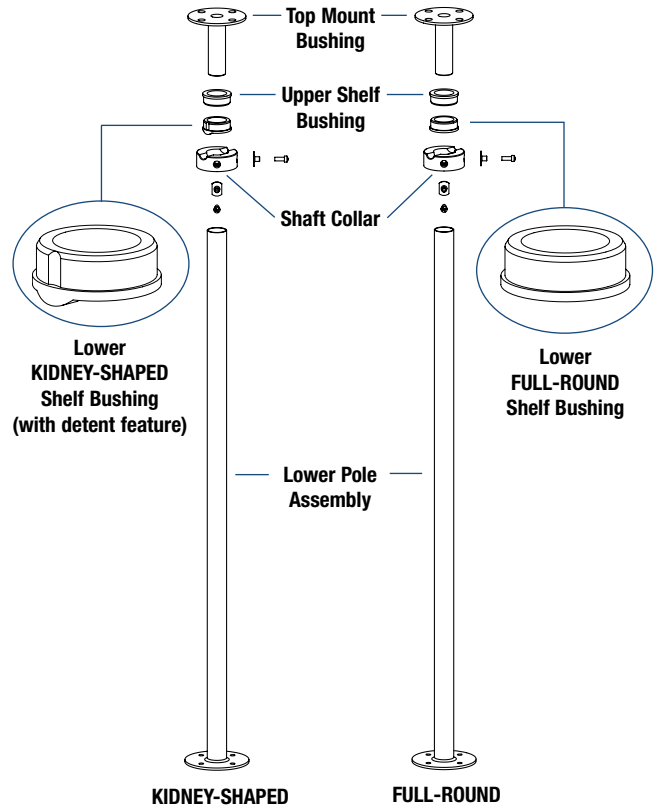
Dimensions shown are recommended minimum cabinet dimensions and clearances.

Lazy Susan Post Diagrams

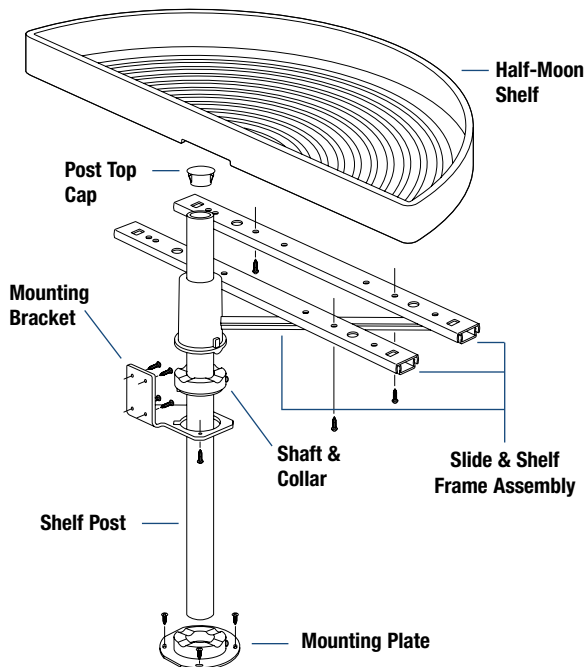
For POLYMER Door-Mount/Pie-Cut Lazy Susans



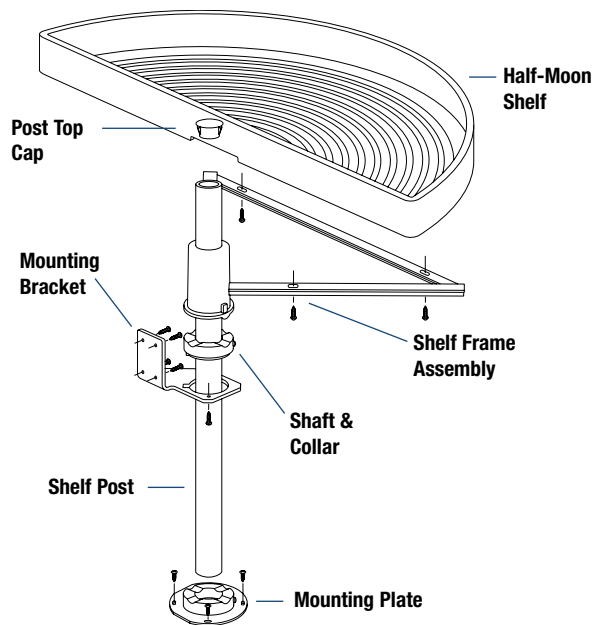
For WIRE Full-Round/Kidney-Shaped Lazy Susans



For POLYMER Half-Moon Glide-Out Lazy Susan Shelves



For POLYMER Pivot-Out Glide-Out Lazy Susan Shelves



For illustration purposes diagrams on this page are shown with one shelf. See individual product pages for more information.