



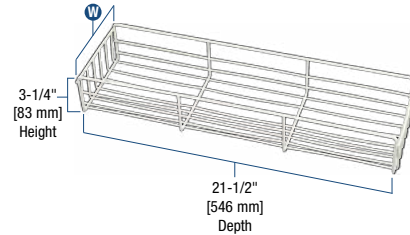
P5450FE-FN with BP10-FN

## Side-Mount Pantry Roll-Out & Baskets

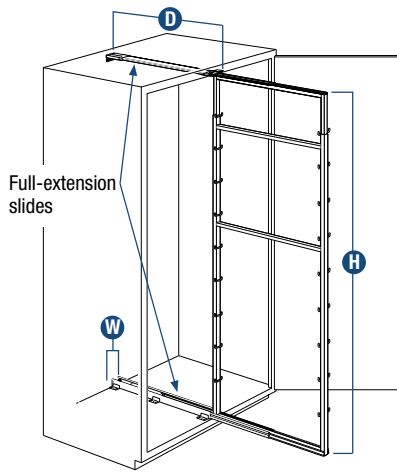
- KV Eco-Friendly Frosted Nickel finish or White
- Basket height can be varied in 4" increments
- Side-Mount Baskets (sold separately) mount to hooks on side of Side-Mount Pantry Roll-Out



**Side-Mount Basket**  
(Sold separately.)



**Side-Mount Basket**  
(BP6-W shown)



**Side-Mount Pantry Roll-Out**  
(P5450FE shown)

Stock #	Width <b>W</b>	Finish	Units per Carton	Weight per Carton
<b>SIDE-MOUNT BASKETS</b>				
BP4-FN	4" [102 mm]	Frosted Nickel*	10	13.7 lbs. [6.2 kg.]
BP5-FN	5" [127 mm]	Frosted Nickel*	10	15.1 lbs. [6.8 kg.]
BP6-FN	6" [152 mm]	Frosted Nickel*	10	16.2 lbs. [7.3 kg.]
BP7-FN	7" [178 mm]	Frosted Nickel*	10	17.7 lbs. [8.0 kg.]
BP8-FN	8" [203 mm]	Frosted Nickel*	10	18.6 lbs. [8.4 kg.]
BP9-FN	9" [229 mm]	Frosted Nickel*	10	19.7 lbs. [8.9 kg.]
BP10-FN	10" [254 mm]	Frosted Nickel*	10	21 lbs. [9.5 kg.]
BP12-FN	12" [305 mm]	Frosted Nickel*	10	26.3 lbs. [11.9 kg.]
BP4-W	4" [102 mm]	White	10	13.7 lbs. [6.2 kg.]
BP5-W	5" [127 mm]	White	10	15.1 lbs. [6.8 kg.]
BP6-W	6" [152 mm]	White	10	16.2 lbs. [7.3 kg.]
BP7-W	7" [178 mm]	White	10	17.7 lbs. [8.0 kg.]
BP8-W	8" [203 mm]	White	10	18.6 lbs. [8.4 kg.]
BP9-W	9" [229 mm]	White	10	19.7 lbs. [8.9 kg.]
BP10-W	10" [254 mm]	White	10	21 lbs. [9.5 kg.]
BP12-W	12" [305 mm]	White	10	26.3 lbs. [11.9 kg.]

For Depth & Height, see drawing to left.

Stock #	Individual Product Dimensions			Finish	Units per Carton	Weight per Carton
	Width <b>W</b>	Height <b>H</b>	Depth <b>D</b>			
<b>SIDE-MOUNT PANTRY ROLL-OUTS</b>						
P4250FE-FN	3-13/16" [97 mm]	44" – 49-3/8" [1,118 – 1,254 mm]	22-1/4" [565 mm]	Frosted Nickel*	1	18.6 lbs. [8.4 kg.]
P4650FE-FN	3-13/16" [97 mm]	48" – 53-3/8" [1,219 – 1,356 mm]	22-1/4" [565 mm]	Frosted Nickel*	1	19.4 lbs. [8.8 kg.]
P5450FE-FN	3-13/16" [97 mm]	56" – 61-3/8" [1,422 – 1,559 mm]	22-1/4" [565 mm]	Frosted Nickel*	1	20.8 lbs. [9.4 kg.]
P4250FE-W	3-13/16" [97 mm]	44" – 49-3/8" [1,118 – 1,254 mm]	22-1/4" [565 mm]	White	1	18.7 lbs. [8.5 kg.]
P4650FE-W	3-13/16" [97 mm]	48" – 53-3/8" [1,219 – 1,356 mm]	22-1/4" [565 mm]	White	1	19.8 lbs. [9.0 kg.]
P5050FE-W	3-13/16" [97 mm]	52" – 57-3/8" [1,321 – 1,457 mm]	22-1/4" [565 mm]	White	1	20 lbs. [9.1 kg.]
P5450FE-W	3-13/16" [97 mm]	56" – 61-3/8" [1,422 – 1,559 mm]	22-1/4" [565 mm]	White	1	20.9 lbs. [9.5 kg.]
P6500FE-W	3-13/16" [97 mm]	66-1/2" – 71-7/8" [1,689 – 1,826 mm]	22-1/4" [565 mm]	White	1	22.5 lbs. [10.2 kg.]

Sliding assembly width is equal to Pantry Roll-Out width plus total width of baskets being applied. Load capacity not to exceed 100 lbs.

\* Eco-Friendly. See page 4 for more information.

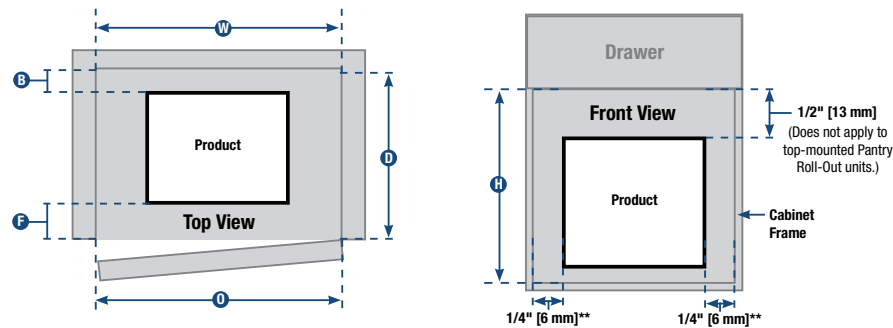
# Cabinet Dimensions

Stock #	Min. Cabinet Opening		Minimum Interior Cabinet Dimensions		Minimum Cabinet Clearances	
	Width <b>O</b>	Width <b>W</b>	Height <b>H</b>	Depth <b>D</b>	Front <b>F</b>	Back <b>B</b>
<b>Slide-Out Base Blind Corner Units</b>						
BBCS-L-15-FN	14-1/2" [368 mm]	26-11/16" [678 mm]	20-1/4" [514 mm]	22-11/16" [576 mm]	1/4" [6 mm]	1/4" [6 mm]
BBCT-L-15-FN	14-1/2" [368 mm]	26-11/16" [678 mm]	27-1/4" [692 mm]	22-11/16" [576 mm]	1/4" [6 mm]	1/4" [6 mm]
BBCS-R-15-FN	14-1/2" [368 mm]	26-11/16" [678 mm]	20-1/4" [514 mm]	22-11/16" [576 mm]	1/4" [6 mm]	1/4" [6 mm]
BBCT-R-15-FN	14-1/2" [368 mm]	26-11/16" [678 mm]	27-1/4" [692 mm]	22-11/16" [576 mm]	1/4" [6 mm]	1/4" [6 mm]
<b>Center-Mount Pantry Roll-Outs</b>						
P1875CM-FN	*	*	20-1/2" [520 mm]	22-1/4" [565 mm]	–	–
P2500CM-FN	*	*	26-3/4" [679 mm]	22-1/4" [565 mm]	–	–
P4250CM-FN	*	*	44" [1,117 mm]	22-1/4" [565 mm]	–	–
P4650CM-FN	*	*	48" [1,219 mm]	22-1/4" [565 mm]	–	–
P5450CM-FN	*	*	56" [1,422 mm]	22-1/4" [565 mm]	–	–
<b>Pot &amp; Pan Pantry Organizer</b>						
PAN1700TM-FN	17-1/2" [444 mm]	17-1/2" [444 mm]	19-3/8" [492 mm]	23-3/4" [603 mm]	–	1/2" [13 mm]
<b>Pot &amp; Pan Caddy</b>						
SPS21-FN	20" [508 mm]	20" [508 mm]	14-3/4" [375 mm]	22-3/4" [578 mm]	1/4" [6 mm]	1/4" [6 mm]
SPS27-FN	26" [660 mm]	26" [660 mm]	14-3/4" [375 mm]	22-3/4" [578 mm]	1/4" [6 mm]	1/4" [6 mm]
<b>Wood &amp; Wire Tray Divider Roll-Outs</b>						
TDRO-FNW-6	6" [152 mm]	6" [152 mm]	14-1/2" [368 mm]	22-3/4" [578 mm]	1/4" [6 mm]	1/4" [6 mm]
TDRO-FNW-9	9" [229 mm]	9" [229 mm]	14-1/2" [368 mm]	22-3/4" [578 mm]	1/4" [6 mm]	1/4" [6 mm]
<b>Appliance Lift (see page 59 for additional clearances)</b>						
HAL-20	Platform Width + 1" [25 mm]	Platform Width + 2-1/2" [64 mm]	25" [634 mm]	Minimum of 16-1/2" [419 mm] OR platform depth	1/2" [13 mm]	1/2" [13 mm]
<b>Hampers</b>						
PSH15-160-W	15" [381 mm]	15-5/8" [397 mm]	21-9/16" [548 mm]	19-5/8" [498 mm]	1/4" [6 mm]	1/4" [6 mm]
PDMSH15-1-60-W	15" [381 mm]	15-5/8" [397 mm]	21-9/16" [548 mm]	19-5/8" [498 mm]	1/4" [6 mm]	1/4" [6 mm]
H1215-W	12" [305 mm]	12-5/8" [321 mm]	15-1/8" [384 mm]	19-1/4" [489 mm]	1/4" [6 mm]	1/4" [6 mm]
H1218-W	12" [305 mm]	12-5/8" [321 mm]	19-3/8" [492 mm]	19-1/4" [489 mm]	1/4" [6 mm]	1/4" [6 mm]
H1515-W	15" [381 mm]	15-5/8" [397 mm]	15-1/8" [384 mm]	19-1/4" [489 mm]	1/4" [6 mm]	1/4" [6 mm]
H1518-W	15" [381 mm]	15-5/8" [397 mm]	19-3/8" [492 mm]	19-1/4" [489 mm]	1/4" [6 mm]	1/4" [6 mm]
MH1215-W	12" [305 mm]	12-5/8" [321 mm]	15-1/8" [384 mm]	16-1/2" [419 mm]	1/4" [6 mm]	1/4" [6 mm]
TO1710-1-W	11" [279 mm]	11" [279 mm]	18-1/4" [464 mm]	19-5/16" [491 mm]	1/4" [6 mm]	1/4" [6 mm]
TO1710-W	11" [279 mm]	11" [279 mm]	18-1/4" [464 mm]	19-5/16" [491 mm]	1/4" [6 mm]	1/4" [6 mm]
TO1713-1-W	14" [356 mm]	14" [356 mm]	18-1/4" [464 mm]	19-5/16" [491 mm]	1/4" [6 mm]	1/4" [6 mm]
TO1713-W	14" [356 mm]	14" [356 mm]	18-1/4" [464 mm]	19-5/16" [491 mm]	1/4" [6 mm]	1/4" [6 mm]
TO1716-1-W	17" [432 mm]	17" [432 mm]	18-1/4" [464 mm]	19-5/16" [491 mm]	1/4" [6 mm]	1/4" [6 mm]
TO1716-W	17" [432 mm]	17" [432 mm]	18-1/4" [464 mm]	19-5/16" [491 mm]	1/4" [6 mm]	1/4" [6 mm]
<b>Pull-Out Towel Bar</b>						
P79 3 ANO	5-5/16" [135 mm]	5-5/16" [135 mm]	1-13/16" [46 mm]	18-1/4" [464 mm]	1/4" [6 mm]	1/4" [6 mm]
<b>Center-Mount Pantry Roll-Out</b>						
P1875CM-W	*	*	20-1/2" [520 mm]	22-1/4" [565 mm]	–	–
P2500CM-W	*	*	26-3/4" [670 mm]	22-1/4" [565 mm]	–	–
P4250CM-W	*	*	44" [1,117 mm]	22-1/4" [565 mm]	–	–
P4650CM-W	*	*	48" [1,219 mm]	22-1/4" [565 mm]	–	–
P5450CM-W	*	*	56" [1,422 mm]	22-1/4" [565 mm]	–	–
<b>Side-Mount Pantry Roll-Out</b>						
P4250FE-W	*	*	44" [1,117 mm]	22-1/4" [565 mm]	–	–
P4650FE-W	*	*	48" [1,219 mm]	22-1/4" [565 mm]	–	–

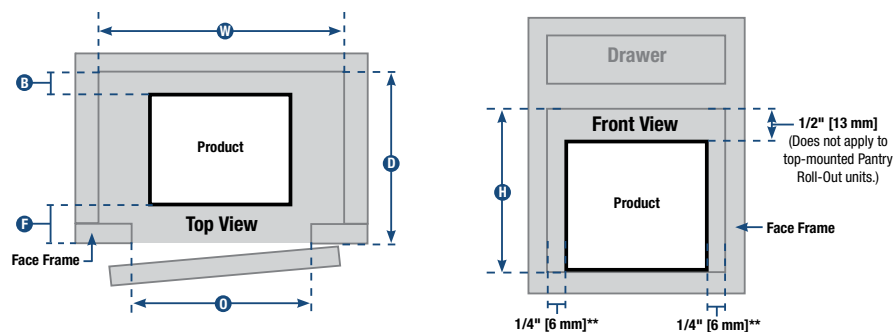
\* Minimum Cabinet Opening Width AND Minimum Cabinet Interior Width equals total width of completely assembled unit with all baskets applied, plus 1/2" clearance per side (1" total clearance for center-mounted units, 1/2" side clearance for side-mounted units). Dimensions shown are recommended minimum cabinet dimensions and clearances.

P5050FE-W	*	*	52" [1320 mm]	22-1/4" [565 mm]	-	-
P5450FE-W	*	*	56" [1422 mm]	22-1/4" [565 mm]	-	-
P6500FE-W	*	*	66-1/2" [1689 mm]	22-1/4" [565 mm]	-	-
P4250FE-FN	*	*	44" [1117 mm]	22-1/4" [565 mm]	-	-
P4650FE-FN	*	*	48" [1219 mm]	22-1/4" [565 mm]	-	-
P5450FE-FN	*	*	56" [1422 mm]	22-1/4" [565 mm]	-	-
<b>Base Cabinet Organizer</b>						
BC020E-W	*	*	21-11/16" [551 mm]	22-3/16" [564 mm]	1/4" [6 mm]	1/4" [6 mm]
BC02456-W	*	*	25-1/2" [648 mm]	22-1/2" [572 mm]	1/4" [6 mm]	1/4" [6 mm]
<b>Base Roll-Out</b>						
B1700-W	*	*	19-3/4" [502 mm]	22-3/16" [564 mm]	1/4" [6 mm]	1/4" [6 mm]
<b>Multi-Use Baskets</b>						
GUSB11-FN	12" [305 mm]	12-5/8" [321 mm]	15-15/16" [405 mm]	19-1/4" [489 mm]	1/4" [6 mm]	1/4" [6 mm]
GUSB14-FN	15" [381 mm]	15-5/8" [397 mm]	15-15/16" [405 mm]	19-1/4" [489 mm]	1/4" [6 mm]	1/4" [6 mm]
USB11-W	12" [305 mm]	12-5/8" [321 mm]	16" [406 mm]	19-1/4" [489 mm]	1/4" [6 mm]	1/4" [6 mm]
USB14-W	15" [381 mm]	15-5/8" [397 mm]	16" [406 mm]	19-1/4" [489 mm]	1/4" [6 mm]	1/4" [6 mm]
USB11TM-W	12" [305 mm]	12-5/8" [321 mm]	9-13/16" [249 mm]	19-5/8" [498 mm]	1/4" [6 mm]	1/4" [6 mm]
USB14TM-W	15" [381 mm]	15-5/8" [397 mm]	9-13/16" [249 mm]	19-5/8" [498 mm]	1/4" [6 mm]	1/4" [6 mm]
MUB11-FN	11-1/2" [292 mm]	12" [305 mm]	5-11/16" [144 mm]	20-1/4" [514 mm]	1/4" [6 mm]	1/4" [6 mm]
MUB14-FN	14-1/2" [368 mm]	15" [381 mm]	5-11/16" [144 mm]	20-1/4" [514 mm]	1/4" [6 mm]	1/4" [6 mm]
MUB17-FN	17-1/2" [444 mm]	18" [457 mm]	5-11/16" [144 mm]	20-1/4" [514 mm]	1/4" [6 mm]	1/4" [6 mm]
MU11-W	12" [305 mm]	12-5/8" [321 mm]	5-11/16" [144 mm]	19-1/4" [489 mm]	1/4" [6 mm]	1/4" [6 mm]
MU14-W	15" [381 mm]	15-5/8" [397 mm]	5-11/16" [144 mm]	19-1/4" [489 mm]	1/4" [6 mm]	1/4" [6 mm]
<b>Tray Divider Roll-Outs</b>						
TDR06-W	6" [152 mm]	6-1/2" [165 mm]	20" [508 mm]	22-1/2" [572 mm]	1/4" [6 mm]	1/4" [6 mm]
TDR09-W	9" [229 mm]	9-1/2" [241 mm]	20" [508 mm]	22-1/2" [572 mm]	1/4" [6 mm]	1/4" [6 mm]

**Example of Frameless / Euro-Style Cabinet Application**



**Example of Face Frame Cabinet Application**



\* Minimum Cabinet Opening Width AND Minimum Cabinet Interior Width equals total width of completely assembled unit with all baskets applied, plus 1/2" clearance per side (1" total clearance for center-mounted units, 1/2" side clearance for side-mounted units). Dimensions shown are recommended minimum cabinet dimensions and clearances.

\*\* Slide-out Base Blind Corner Units and Base Cabinet Organizers require 1/2" side clearance on one side, not both.