



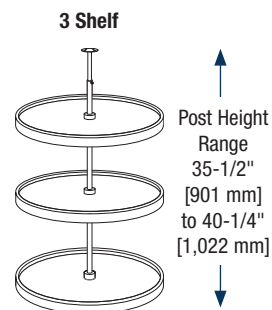
Lazy Susans

- Polymer Lazy Susans17
- Replacement Parts.20
- Cabinet & Lip Dimensions21
- Diagrams23



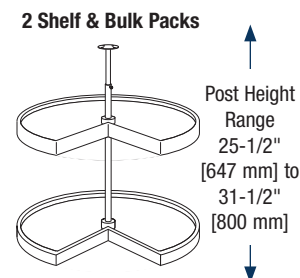
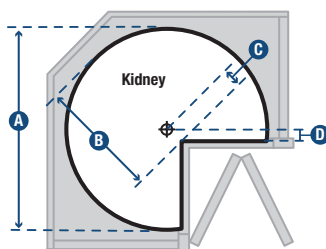
Polymer Full-Round Lazy Susans

- Polymer construction with double wall rim and strengthening ribs
- Rim height is 1"
- Standard pack includes shelves, one post, installation template and hardware
- Independently rotating shelves



Polymer Kidney-Shaped Lazy Susans

- Polymer construction with double wall rim and strengthening ribs
- Rim height is 1"
- Standard pack includes shelves, one post, installation template and hardware
- Independently rotating shelves



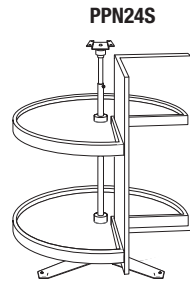
STANDARD PACK		BULK PACK		Diameter	Assembled Product Dimensions				Min. Cabinet Opening	Weight Limit per Shelf	Finish	STANDARD PACK		BULK PACK	
Stock #	Number of Shelves	Stock #	Number of Shelves		A	B	C	D				Units per Carton	Carton Weight	Units per Carton	Carton Weight
FULL-ROUND															
PFN18ST-W	2	-	-	18" [457.2 mm]	-	-	-	5-3/4" [146 mm]	30 lbs. [13.6 kg.]	White	1	8.4 lbs. [3.8 kg.]	-	-	
PFN18S3T-W	3	-	-	18" [457.2 mm]	-	-	-	5-3/4" [146 mm]	30 lbs. [13.6 kg.]	White	1	12.1 lbs. [5.5 kg.]	-	-	
PFN20ST-W	2	-	-	20" [508 mm]	-	-	-	6-3/4" [171 mm]	38 lbs. [17.1 kg.]	White	1	10.1 lbs. [4.6 kg.]	-	-	
PFN20S3T-W	3	-	-	20" [508 mm]	-	-	-	6-3/4" [171 mm]	38 lbs. [17.1 kg.]	White	1	14.3 lbs. [6.5 kg.]	-	-	
PFN24ST-W	2	-	-	24" [609.6 mm]	-	-	-	8-1/4" [210 mm]	55 lbs. [24.9 kg.]	White	1	12.1 lbs. [5.5 kg.]	-	-	
PFN28ST-W	2	PFN28SBT-W*	10	28" [711.2 mm]	-	-	-	9-7/8" [251 mm]	78 lbs. [35.4 kg.]	White	1	15.5 lbs. [7.0 kg.]	5	74.4 lbs. [33.8 kg.]	
PFN32ST-W	2	-	-	32" [812.8 mm]	-	-	-	11-1/2" [292 mm]	78 lbs. [35.4 kg.]	White	1	18.2 lbs. [8.3 kg.]	-	-	
KIDNEY-SHAPED															
PKN18ST-W	2	-	-	18" [457 mm]	10-1/4" [260 mm]	1-1/4" [31 mm]	15/16" [24 mm]	-	23 lbs. [10.4 kg.]	White	1	7.9 lbs. [3.6 kg.]	-	-	
PKN24ST-W	2	PKN24SBT-W*	10	24" [609 mm]	14-1/4" [362 mm]	2-1/4" [57 mm]	1-5/8" [40 mm]	-	45 lbs. [20.4 kg.]	White	1	9.9 lbs. [4.5 kg.]	5	45.2 lbs. [20.5 kg.]	
PKN28ST-W	2	PKN28SBT-W*	10	28" [711 mm]	18-1/4" [464 mm]	4-1/4" [107 mm]	3-1/16" [76 mm]	-	67 lbs. [30.4 kg.]	White	1	13 lbs. [5.9 kg.]	5	58.8 lbs. [26.7 kg.]	
PKN32ST-W	2	-	-	32" [812 mm]	22-1/4" [565 mm]	6-1/4" [158 mm]	4-7/16" [112 mm]	-	93 lbs. [42.2 kg.]	White	1	13 lbs. [5.9 kg.]	-	-	

* Bulk Packs include 25-1/2" [648 mm] – 31-1/2" [800 mm] posts and hardware.

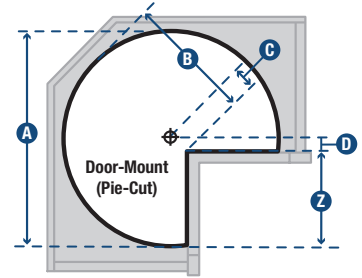


Polymer Door-Mount Lazy Susans

- Doors attach to Lazy Susan shelves for automatic shelf retrieval



Post Height
25" [635 mm]
to
33" [838.2 mm]



Stock #	Number of Shelves	Diameter		Assembled Product Dimensions			Finish	Units per Carton	Carton Weight
		A	B	C	D	Z			
DOOR-MOUNT									
PPN24S-W	2	24" [609 mm]	14-1/4" [362 mm]	2-1/4" [57 mm]	1-5/8" [41 mm]	10-3/8" [264 mm]	White	1	10.7 lbs. [4.9 kg.]
PPN28S-W	2	28" [711 mm]	18-1/4" [464 mm]	4-1/4" [108 mm]	3-1/16" [78 mm]	10-15/16" [278 mm]	White	1	13.8 lbs. [6.3 kg.]

Polymer Half-Moon Lazy Susans

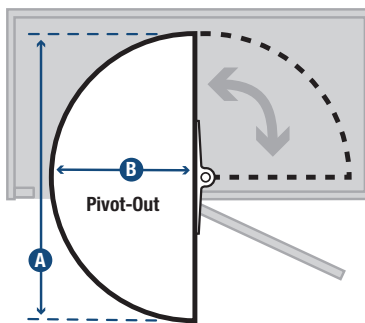
- Shelves move independently on chrome 1" diameter post
- All models operate in both right- or left-handed applications
- Pivot/Pivot Operation: both shelves pivot out
- Pivot/Glide Operation: top shelf pivots out / bottom shelf pivots and glides out
- Glide/Glide Operation: both shelves pivot and glide out
- All glide-out shelves extend 11-3/4" on precision ball-bearing slides



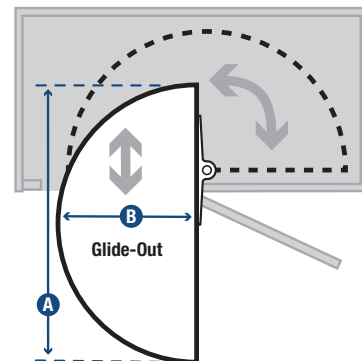
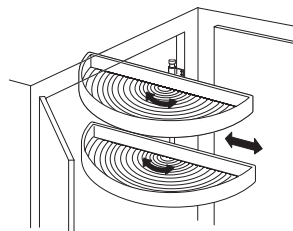
Pivot/Glide Operation
(PHM28PG-W shown)



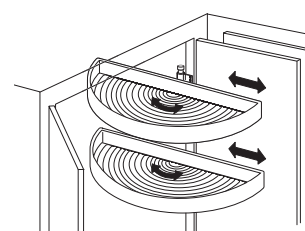
Glide/Glide Operation
(PHM28GG-W shown)



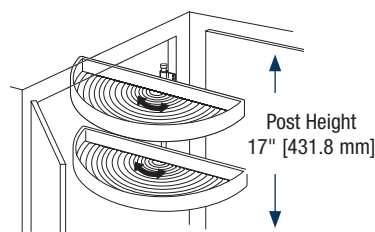
PHM28PG-W



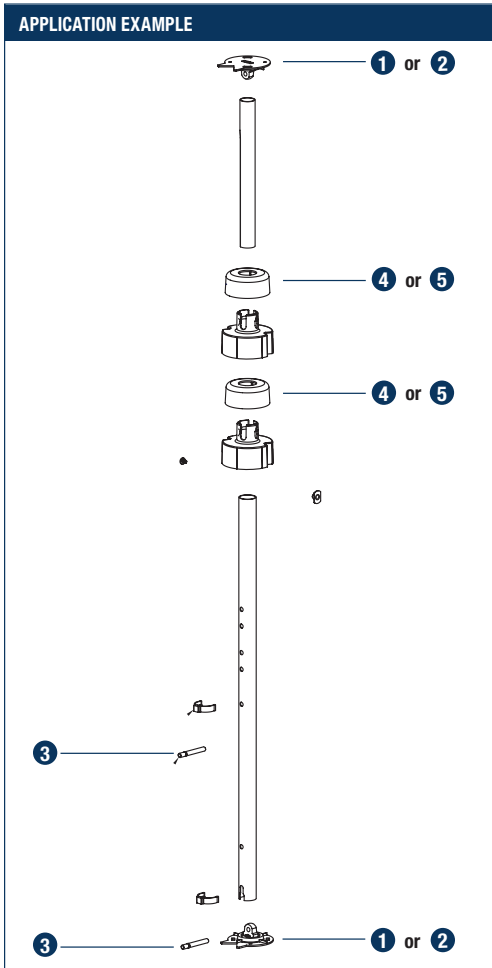
PHM28PG-W



PHM28PP-W



Stock #	A	B	Finish	Units per Carton	Carton Weight
PIVOT/PIVOT [TOP/BOTTOM] SHELF MOTION					
PHM28PP-W	27-7/8" [708 mm]	13" [330 mm]	White	1	13 lbs. [5.9 kg.]
PIVOT/GLIDE [TOP/BOTTOM] SHELF MOTION					
PHM28PG-W	27-7/8" [708 mm]	13" [330 mm]	White	1	16.5 lbs. [7.5 kg.]
PHM34PG-W	33-7/8" [860 mm]	16" [406 mm]	White	1	20 lbs. [9.1 kg.]
PHM40PG-W	39-7/8" [1,013 mm]	19" [483 mm]	White	1	27.4 lbs. [12.4 kg.]
GLIDE/GLIDE [TOP/BOTTOM] SHELF MOTION					
PHM28GG-W	27-7/8" [708 mm]	13" [330 mm]	White	1	19.8 lbs. [9.0 kg.]
PHM34GG-W	33-7/8" [860 mm]	16" [406 mm]	White	1	22.1 lbs. [10.0 kg.]
PHM40GG-W	39-7/8" [1,013 mm]	19" [483 mm]	White	1	30.8 lbs. [14.0 kg.]

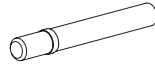


Individual Hardware Replacement Parts

HUB-PIN

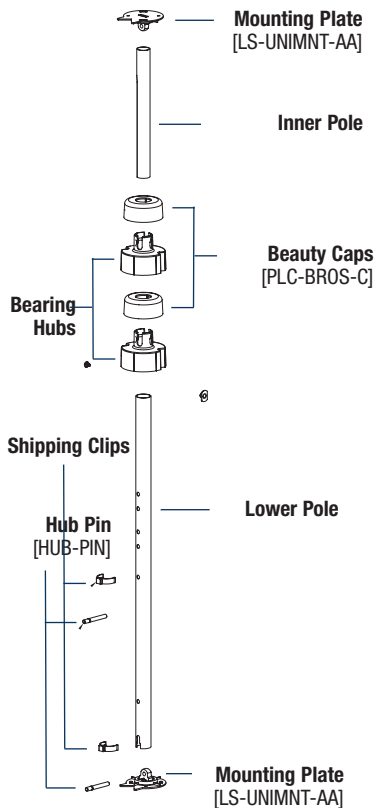
Bearing Pin for Lazy Susans

(For Polymer/Wood Full-Round, Kidney Door-Mount, and Single Shelf Lazy Susans)



Stock #	Description	Units	Weight per Unit
INDIVIDUAL HARDWARE PARTS (SOLD PER UNIT)			
HUB-PIN	Bearing Pin for Lazy Susans	1	0.5 lbs. [0.2 kg.]

For POLYMER Full-Round / Kidney Shelves



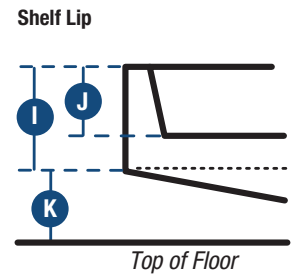
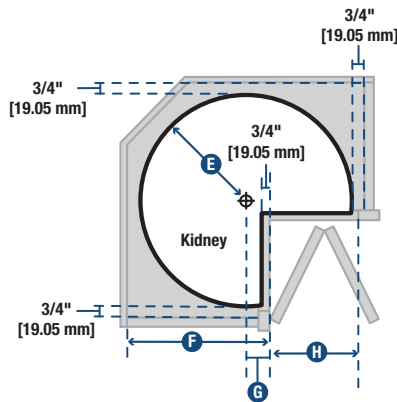
Lazy Susan Post Replacement Parts

Standard Pack #	Pkd.	For Shelf Types(s)	Bearing Hubs	Beauty/Post Caps	Mounting Plates	Post Height Range	STD. PK. Carton Weight	Bulk PK. Carton Weight
POST HARDWARE PACKS: FULL-ROUND								
HN-F-TEL-PT	1	Polymer	White	—	Metal Unimount	25-1/2" – 31-1/2" [635 mm – 787 mm]	4.8 lbs. [2.2 kg.]	24 lbs. [10.9 kg.]
POST HARDWARE PACKS: KIDNEY-SHAPED								
HN-K-TEL-PT	1	Polymer	White	Chrome	Metal Unimount	25-1/2" – 31-1/2" [635 mm – 787 mm]	1.9 lbs. [0.9 kg.]	9.5 lbs. [4.3 kg.]

Cabinet and Shelf Lip Dimensions

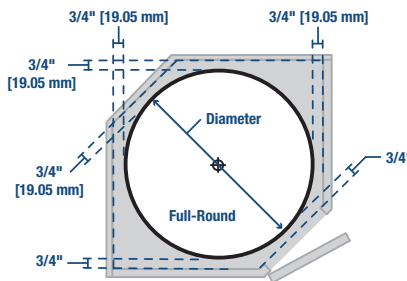
Stock #	E	F	G	H	I	J	K	Mounting
POLYMER KIDNEY-SHAPED LAZY SUSANS								
PKN18ST-W	9" [229 mm]	11-7/16" [291 mm]	1-11/16" [43 mm]	7-5/8" [194 mm]	1-3/4" [44 mm]	1" [25 mm]	1/2" – 1-5/16" [13 – 33 mm]	Top/Bottom
PKN24ST-W	12" [305 mm]	15-1/8" [384 mm]	2-3/8" [60 mm]	10" [254 mm]	1-3/4" [44 mm]	1" [25 mm]	1/2" – 1-5/16" [13 – 33 mm]	Top/Bottom
PKN28ST-W	14" [356 mm]	18-9/16" [471 mm]	3-13/16" [97 mm]	10-1/4" [260 mm]	1-3/4" [44 mm]	1" [25 mm]	1/2" – 1-5/16" [13 – 33 mm]	Top/Bottom
PKN32ST-W	16" [406 mm]	21-15/16" [557 mm]	5-3/16" [132 mm]	10-1/2" [267 mm]	1-3/4" [44 mm]	1" [25 mm]	1/2" – 1-5/16" [13 – 33 mm]	Top/Bottom

- E** = Radius
- F** = Min. Cabinet Depth
- G** = Center of Rotation
- H** = Min. Cabinet Opening



POLYMER FULL-ROUND LAZY SUSANS

A minimum 3/4" side clearance is recommended between Full-Round Lazy Susan shelves and all adjacent interior surfaces (cabinet, wall, etc.).



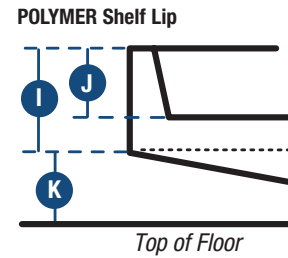
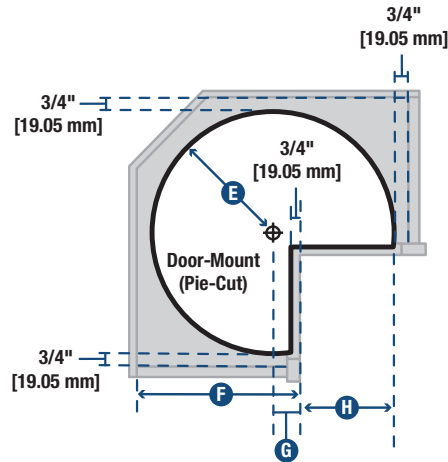
Dimensions shown are recommended minimum cabinet dimensions and clearances.

Cabinet and Shelf Lip Dimensions

Stock #	E	F	G	H	I	J	K	Mounting
POLYMER DOOR-MOUNT / PIE-CUT LAZY SUSANS								
PPN24S-W	12" [305 mm]	15-1/8" [384 mm]	2-3/8" [60 mm]	10" [254 mm]	1-3/4" [44 mm]	1" [25 mm]	1-1/16 – 1-7/8" [27 – 47 mm]	Top/Bottom
PPN28S-W	14" [356 mm]	18-9/16" [471 mm]	3-13/16" [97 mm]	10-1/4" [260 mm]	1-3/4" [44 mm]	1" [25 mm]	1-1/16 – 1-7/8" [27 – 47 mm]	Top/Bottom

- E** = Radius
- F** = Min. Cabinet Depth
- G** = Center of Rotation
- H** = Min. Cabinet Opening

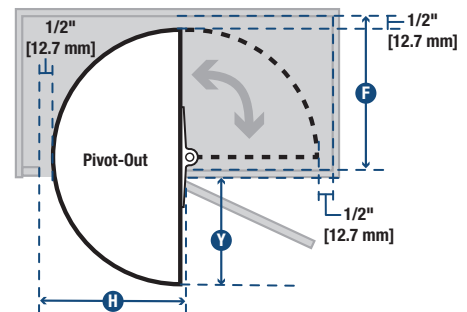
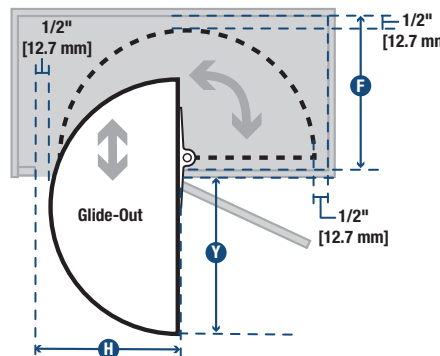
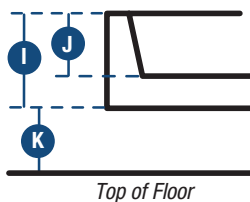
1/4" Gap Between Face Frame and Door



Stock #	F	H	I	J	K	Y	Mounting
POLYMER HALF-MOON LAZY SUSANS							
PHM28PP-W	16-1/4" [413 mm]	13-3/4" [349 mm]	2-1/2" [64 mm]	1-1/2" [38 mm]	2" [51 mm]	11-1/2" [292 mm]	Side/Bottom
PHM28PG-W	16-1/4" [413 mm]	13-3/4" [349 mm]	2-1/2" [64 mm]	1-1/2" [38 mm]	2-11/16" [68 mm]	23-1/4" [591 mm]	Side/Bottom
PHM34PG-W	19-1/4" [489 mm]	16-3/4" [425 mm]	2-1/2" [64 mm]	1-1/2" [38 mm]	2-11/16" [68 mm]	26-1/4" [667 mm]	Side/Bottom
PHM40PG-W	22-1/4" [565 mm]	19-3/4" [502 mm]	2-1/2" [64 mm]	1-1/2" [38 mm]	2-11/16" [68 mm]	29-1/4" [743 mm]	Side/Bottom
PHM28GG-W	16-1/4" [413 mm]	13-3/4" [349 mm]	2-1/2" [64 mm]	1-1/2" [38 mm]	2-11/16" [68 mm]	23-1/4" [591 mm]	Side/Bottom
PHM34GG-W	19-1/4" [489 mm]	16-3/4" [425 mm]	2-1/2" [64 mm]	1-1/2" [38 mm]	2-11/16" [68 mm]	26-1/4" [677 mm]	Side/Bottom
PHM40GG-W	22-1/4" [565 mm]	19-3/4" [502 mm]	2-1/2" [64 mm]	1-1/2" [38 mm]	2-11/16" [68 mm]	29-1/4" [743 mm]	Side/Bottom

- F** = Min. Cabinet Depth
- H** = Min. Cabinet Opening

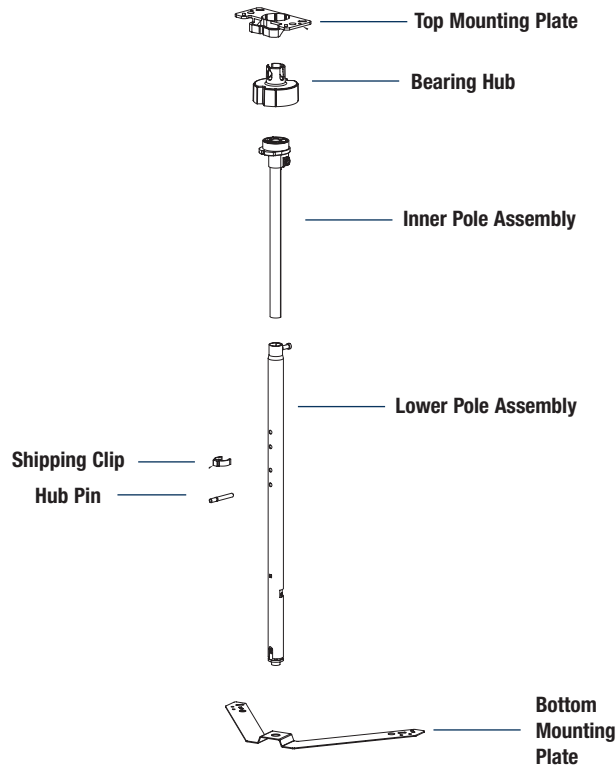
POLYMER Shelf Lip



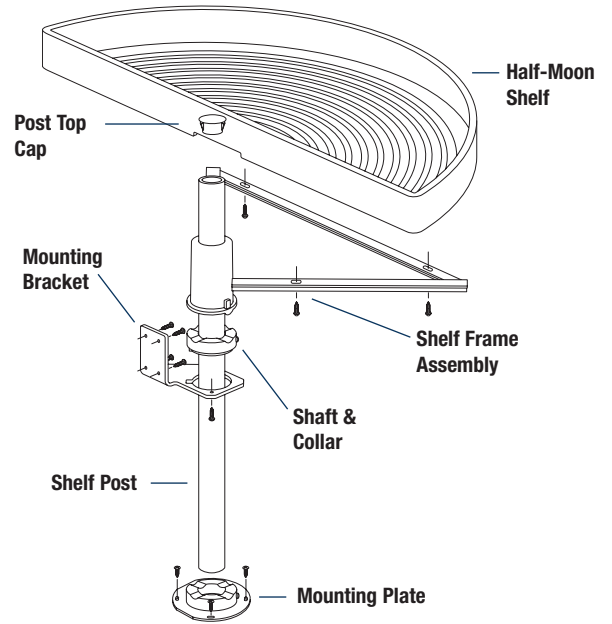
Dimensions shown are recommended minimum cabinet dimensions and clearances.

Lazy Susan Post Diagrams

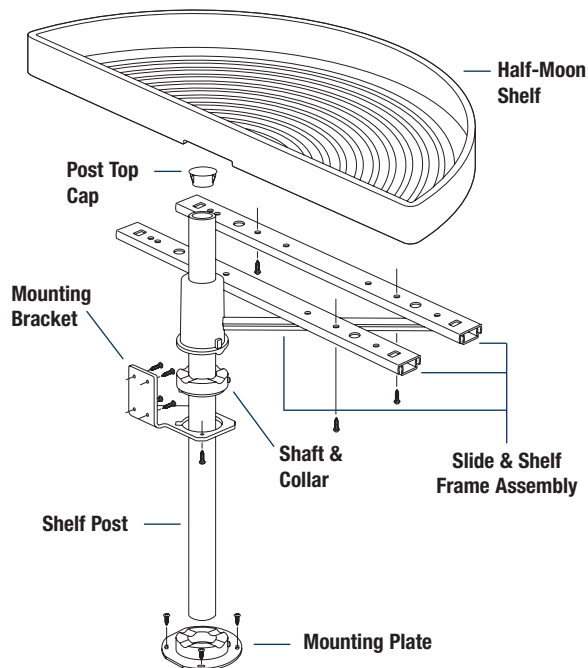
For POLYMER Door-Mount/Pie-Cut Lazy Susans



For POLYMER Pivot-Out Glide-Out Lazy Susan Shelves



For POLYMER Half-Moon Glide-Out Lazy Susan Shelves

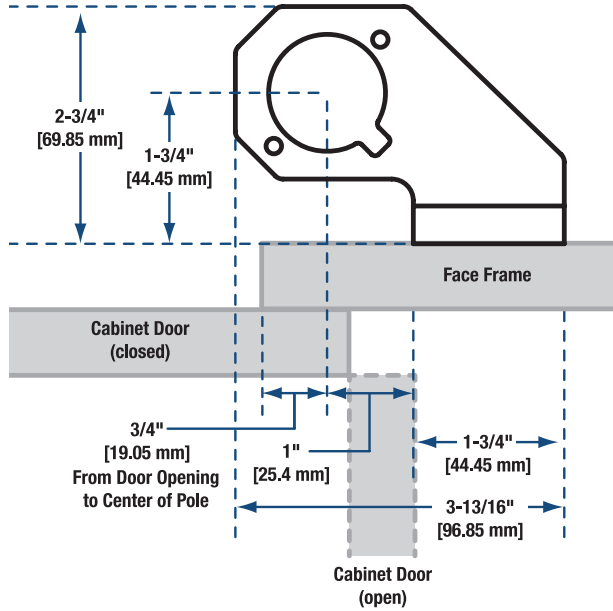


For illustration purposes diagrams on this page are shown with one shelf. See individual product pages for more information.

Lazy Susan Post Diagrams

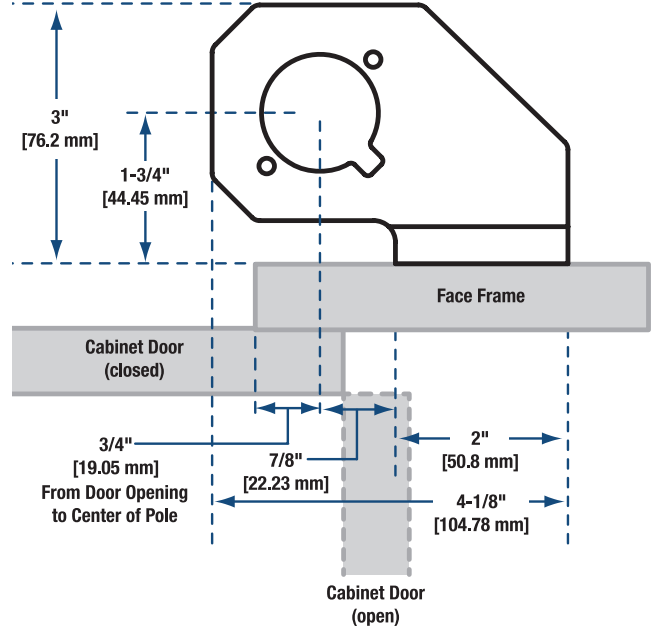
POLYMER HALF MOON HINGE BRACKETS

For PHM28 and PHM34 Part Numbers



NOTE: For frameless cabinet applications, move bracket 1-1/4" [31.75 mm] toward cabinet opening.

For PHM40 Part Numbers



NOTE: For frameless cabinet applications, move bracket 1-1/4" [31.75 mm] toward cabinet opening.