



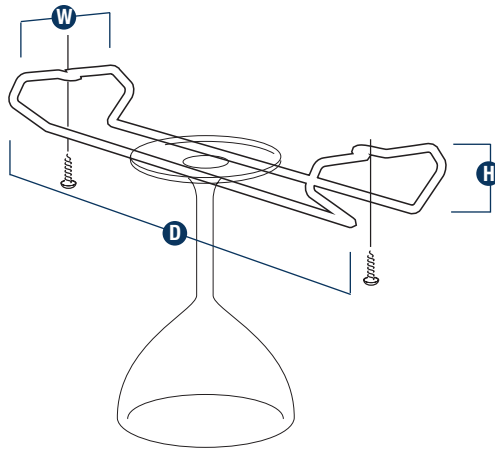
## *Specialty Storage*

Wine Accessories .....	40
Wire Accessories .....	41
Cabinet Dimensions .....	42



## Wine Accessories

- Economical and stemware displays



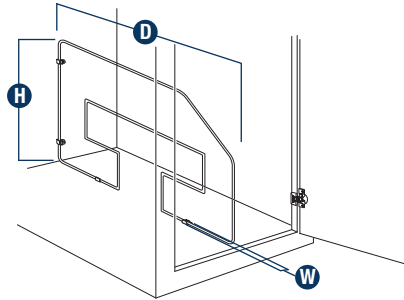
**Stemware Holder**

Stock #	Individual Product Dimensions			Number of Rings	Finish	Units per Carton	Weight per Carton
	Width <b>W</b>	Height <b>H</b>	Depth <b>D</b>				
<b>STEMWARE HOLDERS</b>							
ST11.50-B	4" [102 mm]	2" [51 mm]	11-9/16" [294 mm]	-	Frosted Nickel	10	3.5 lbs. [1.6 kg.]



## Tray Divider

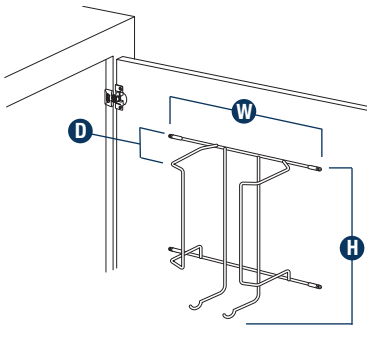
- Available in 12" and 18" heights
- Installs easily with four attachment clips



IH-FN

## Iron Holder

- Can be installed on cabinet door above or below ironing board so iron will be readily available
- Conveniently stores iron when not in use

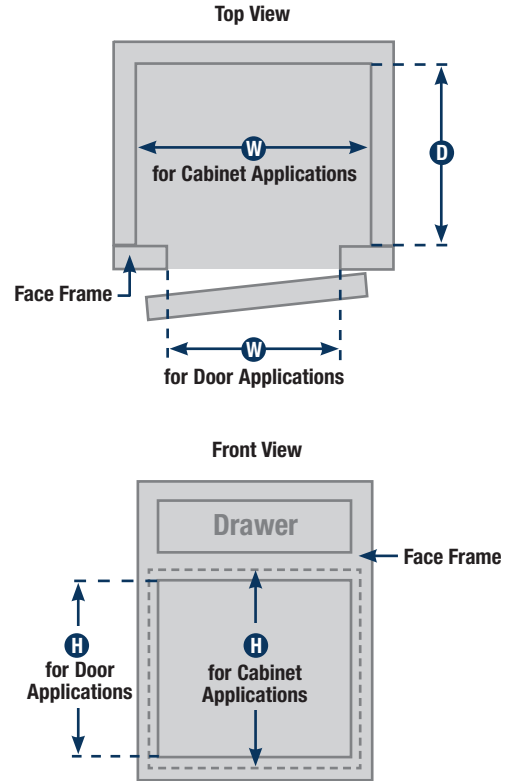


Stock #	Assembled Product Dimensions			Finish [Wire / Bin]	Units per Carton	Weight per Carton
	Width <b>W</b>	Height <b>H</b>	Depth <b>D</b>			
<b>TRAY DIVIDER</b>						
TD12-1-FN	15/16" [24 mm]	12" [205 mm]	19-1/2" [495 mm]	Frosted Nickel	1	2 lbs. [0.9 kg.]
TD12-FN	15/16" [24 mm]	12" [205 mm]	19-1/2" [495 mm]	Frosted Nickel	10	14.1 lbs. [6.4 kg.]
TD18-1-FN	15/16" [24 mm]	18" [457 mm]	19-1/2" [495 mm]	Frosted Nickel	1	2.2 lbs. [1.0 kg.]
TD18-FN	15/16" [24 mm]	18" [457 mm]	19-1/2" [495 mm]	Frosted Nickel	10	17.2 lbs. [7.8 kg.]
TD12-W	15/16" [24 mm]	12" [205 mm]	19-1/2" [495 mm]	White	10	14.1 lbs. [6.4 kg.]
TD18-1-W	15/16" [24 mm]	18" [457 mm]	19-1/2" [495 mm]	White	1	2.2 lbs. [1.0 kg.]
TD18-W	15/16" [24 mm]	18" [457 mm]	19-1/2" [495 mm]	White	10	17.2 lbs. [7.8 kg.]
<b>IRON HOLDER</b>						
IH-FN	8-1/8" [206 mm]	8-5/16" [211 mm]	5-1/8" [130 mm]	Frosted Nickel	1	0.9 lbs. [0.4 kg.]

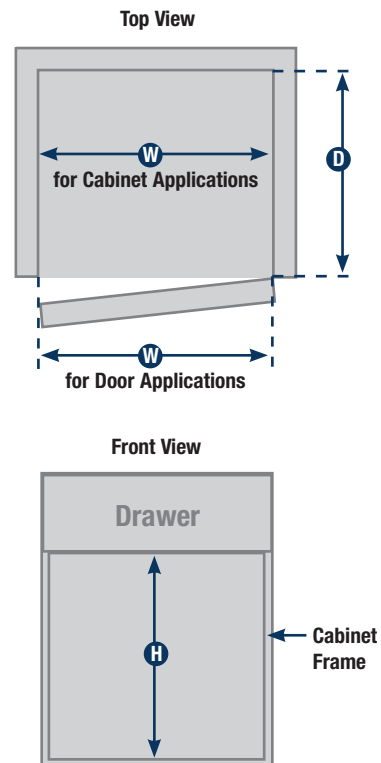
# Cabinet Dimensions

Minimum Interior Cabinet OR Door Opening Dimensions			
Stock #	Width <b>W</b>	Height* <b>H</b>	Depth <b>D</b>
<b>STEMWARE HOLDERS</b>			
ST11.50-FN	4-1/2" [114 mm]	2-1/2" [64 mm]	11-13/16" [300 mm]
<b>TRAY DIVIDERS</b>			
TD12-1-FN	-	12-3/8" [314 mm]	20-1/8" [511 mm]
TD12-FN	-	12-3/8" [314mm]	20-1/8" [511 mm]
TD18-1-FN	-	18-3/8" [467mm]	20-1/8" [511 mm]
TD18-FN	-	18-3/8" [467mm]	20-1/8" [511 mm]
TD12-W	-	12-3/8" [314mm]	20-1/8" [511 mm]
TD18-1-W	-	18-3/8" [467mm]	20-1/8" [511 mm]
TD18-W	-	18-3/8" [467mm]	20-1/8" [511 mm]
<b>IRON HOLDER</b>			
IH-FN	8-5/8" [219 mm]	length of iron + 1-1/2" [38 mm]	height of iron + 1" [25 mm]

Example of Face Frame Cabinet and Door Application



Example of Frameless / Euro-Style Cabinet and Door Application



Dimensions shown are recommended minimum cabinet and door dimensions.