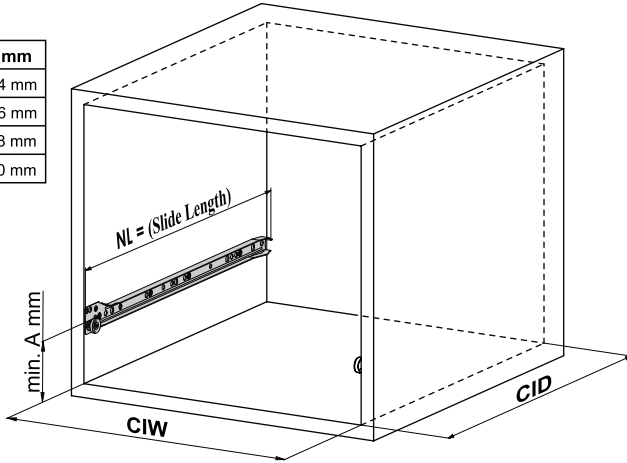


### Cabinet Dimensions

Model	A mm
Sambox 54	54 mm
Sambox 86	86 mm
Sambox 118	118 mm
Sambox 150	150 mm

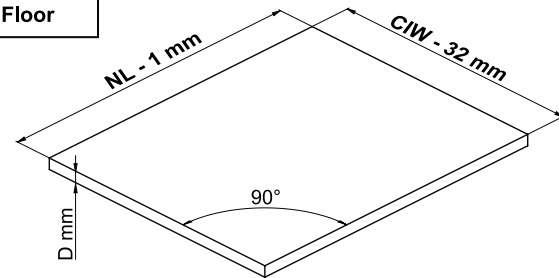


Cabinet Internal Width : CIW  
 Cabinet Internal Depth : CID  
 Drawer Depth : DD  
 Drawer Internal Width : DIW  
 Nominal Length : NL

### Recommended Screw

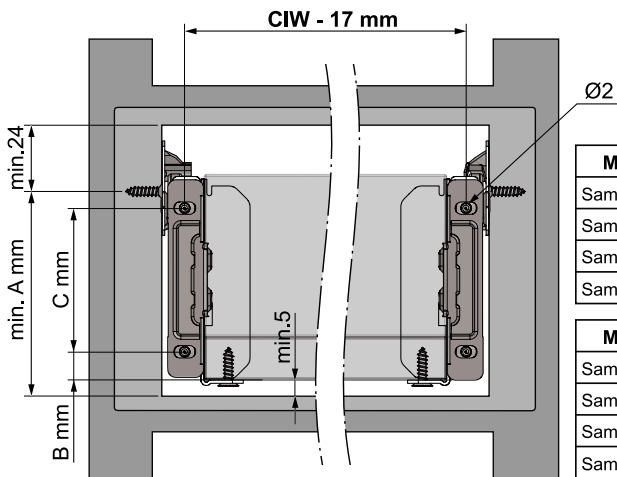


### Wd. Drawer Floor



*D = min. 12 mm recommended.*

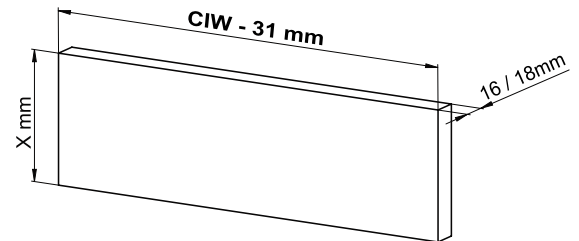
### Drawer Dimensions



Model	B mm
Sambox 54	10,5 mm
Sambox 86	
Sambox 118	42,5 mm
Sambox 150	74,5 mm

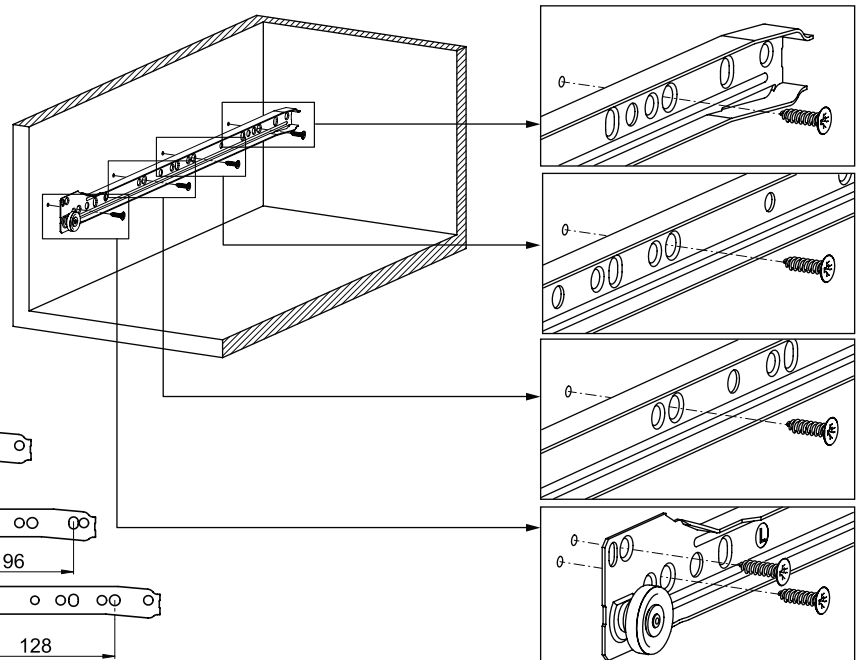
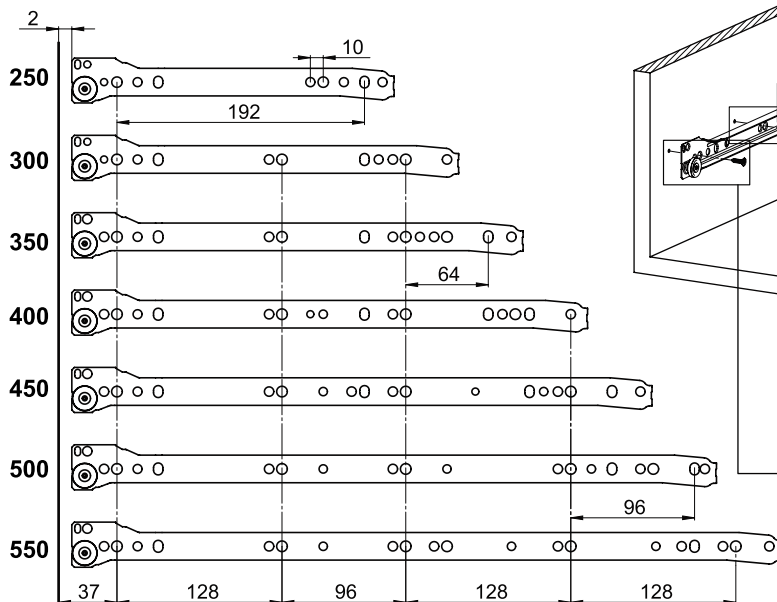
Model	C mm
Sambox 54	32 mm
Sambox 86	
Sambox 118	64 mm
Sambox 150	

### Wd. Backboard

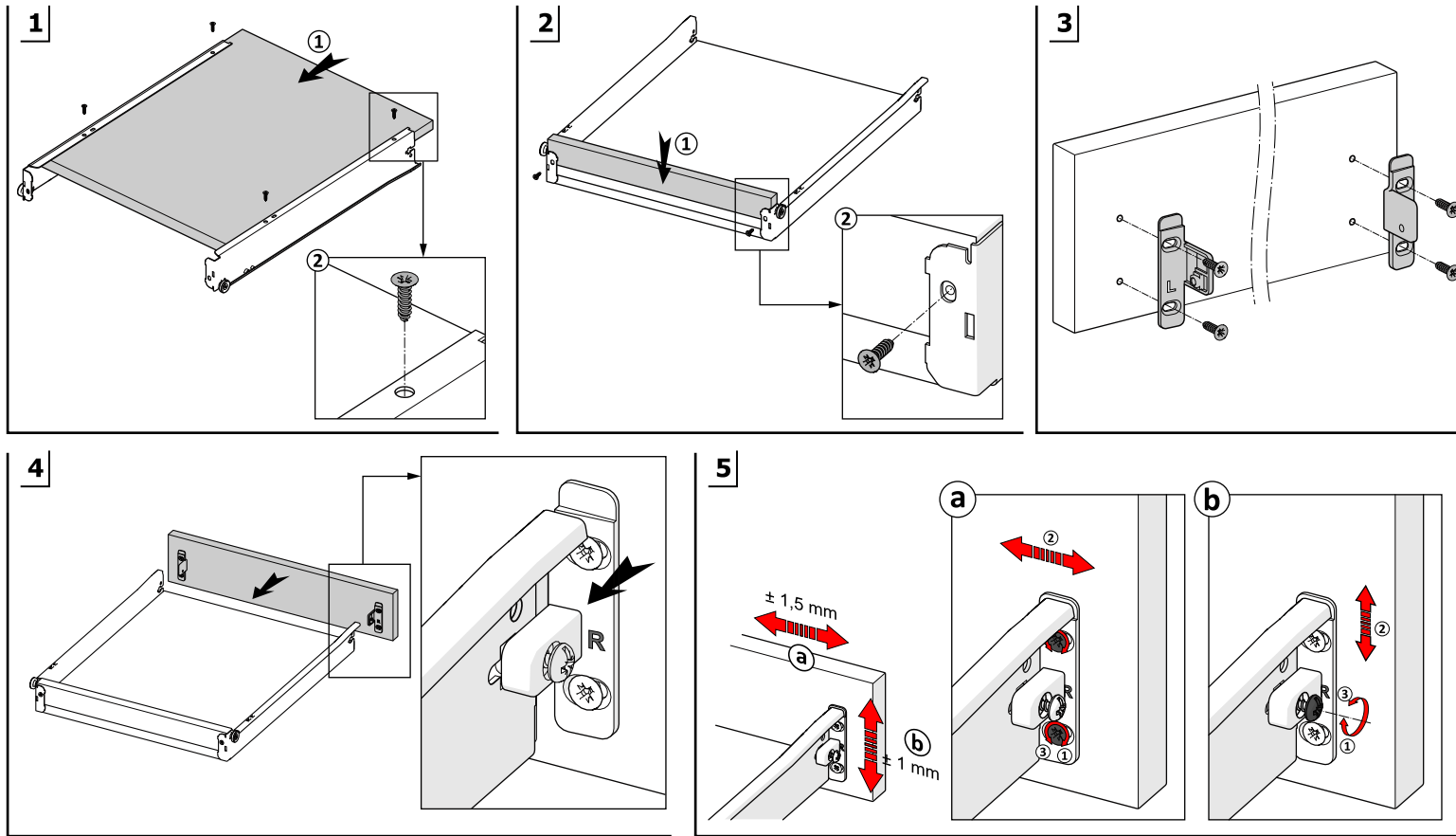


$X \text{ mm} = (A \text{ mm} - D \text{ mm}) + 1 \text{ mm}$

### Screw Location for the Slides



**Sambox 54**



**Sambox 86 - 118 - 150**

