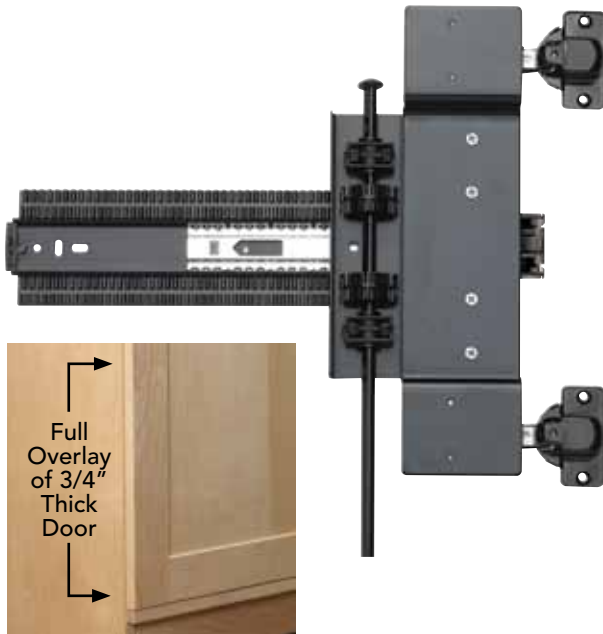




# KV<sup>®</sup> 4x4 Pocket Door Full Overlay Kit

POCKET DOOR SLIDES

- 75 lb. class
- Full overlay



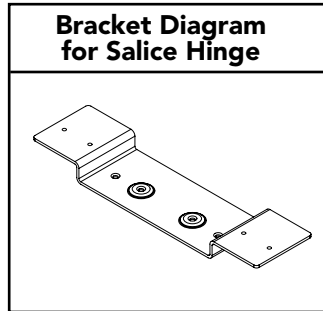
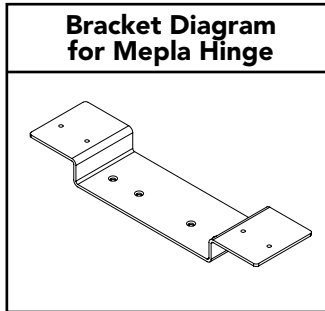
The Knap & Vogt Full Overlay Bracket Kit has been designed to provide for a full overlay on doors up to 3/4" thick. The specialized mounting bracket is easily attached to the 4x4 Pocket Door system and does not compromise the operating characteristics of the KV 8091 series product. The KV 4X4 Pocket Door system is able to accommodate doors up to 75 pounds and 72" in height.

Doors greater than 3/4" thick may be used but the amount of overlay is decreased. The amount of overlay and partition width can be determined using the following formulas:

**Amount of Overlay=1.5" minus Door Thickness.**  
**Partition Width=1" plus Door Thickness.**

Additionally, two mounting brackets have been developed for the 4x4 Pocket Door system: one bracket for use with Mepla overlay hinges, and the other for use with Salice overlay hinges.

As with all Knap & Vogt drawer slides, the 4x4 Pocket Door is designed to meet or exceed ANSI performance standards as established by BIFMA, BHMA, and KCMA.



## KEY PRODUCT FEATURES

- Provides a full overlay on doors up to 3/4" thick
- Attach easily to KV 8091 4X4 Pocket Door System.
- Will not compromise the performance features of the 4X4 Pocket Door System

Typical Overlay Applications					
Door Thickness		Amount of Overlay		Pocket Width	
3/4"	(.7500)	3/4"	(.7500)	1-3/4"	(1.7500)
13/16"	(.8125)	11/16"	(.6875)	1-13/16"	(1.8125)
7/8"	(.8750)	5/8"	(.6250)	1-7/8"	(1.8750)
15/16"	(.9375)	9/16"	(.5625)	1-15/16"	(1.9375)
1"	(1.0000)	1/2"	(.5000)	2"	(2.0000)
1-1/16"	(1.0625)	7/16"	(.4375)	2-1/16"	(2.0625)
1-1/8"	(1.1250)	3/8"	(.3750)	2-1/8"	(2.1250)
1-3/16"	(1.1875)	5/16"	(.3125)	2-3/16"	(2.1875)
1-1/4"	(1.2500)	1/4"	(.2500)	2-1/4"	(2.2500)

**Minimum Door Height: 24"**  
**Maximum Door Height: 72"**

## SPECIFICATIONS

### Kit Contents for Mepla Hinges

- 2 Brackets
- 4 Overlay Hinges
- 4 Hinge Bases
- 4 Hinge Cover Caps
- 4 Protective Door Felt Pads
- All necessary mounting hardware

### Kit Contents for Salice Hinges

- 2 Brackets
- 4 Protective Door Felt Pads
- Bracket Mounting Hardware

### Packaging

- Each kit is poly packed
- One kit per carton

### Ordering Instructions

1. **Slides** - User will need to order KV 8091 Pocket Door Slide. Available in the following lengths: 12", 13", 14", 15", 16", 18", 20", 22", 24", 26", 28", and 30"(Example: **8091SP EB 20**)
2. **Full Overlay Kit** - User will need to order the Full Overlay Kit with Mepla or Salice Hinges:  
 Mepla Part # **8091SFULL34M**  
 Salice Part # **8091SFULL34S**
3. **Pinion Shaft** - User will need to order either a 36", 48" or 72" Pinion Shaft (Example: **8090B EB 36**)