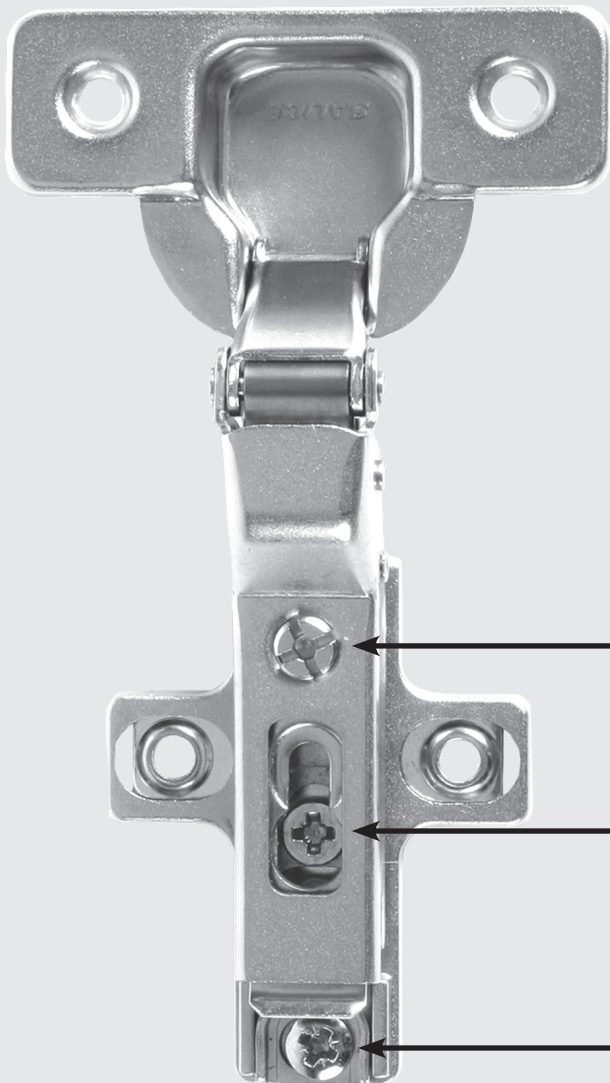




KV Salice Hinge Kit Program

POCKET DOOR HINGES

- Nickel & Black Finish
- 3-Way Adjustable



The Knappe and Vogt Salice Hinge Kit program features three adjustable camms - horizontal (lateral), depth and vertical (height).

These three adjustments make it easier than ever to fine-tune the fit of pocket doors such as those found on entertainment centers and computer workstations.

Horizontal (Lateral) Adjustment Cam

The horizontal (lateral) adjustment range is 6mm (-1/5mm to +4.5mm for 35mm cup hinges, -0.5mm to +5.5mm for 40mm cups), while maintaining a constant gap behind the door.

Vertical (Height) Adjustment Cam

The vertical (height) adjustment range is 4mm (-2mm to +2mm).

Depth Adjustment Cam

The depth adjustment range is 3/1mm (-0.5mm to +2.8mm) for all hinge bases.

PRODUCT FEATURES

- *Three-way cam hinges provide fast and easy door adjustments. Horizontal, vertical and depth changes can be made without loosening any screws.*
- *Four types of hinges are available to fit a wide variety of pocket door applications - standard inset, free swing, partial overlay and extra-thick doors.*
- *Backed by the exclusive Knappe & Vogt Limited Lifetime Warranty*
- *Packaged for use with KV 8071, 8081 and 8091 Pocket Door Systems. Packaging includes hinge bases, hinges, mounting screws and cover caps.*

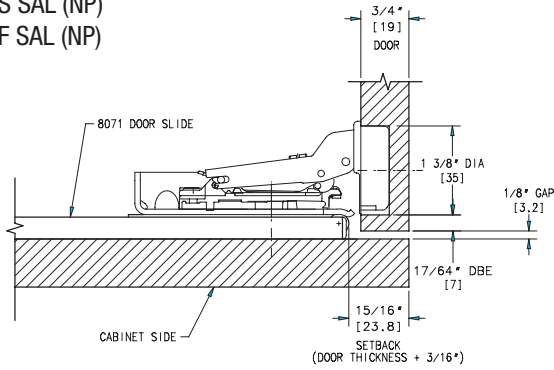
SALICE HINGE KIT TECHNICAL INFORMATION

FRAMELESS APPLICATIONS - 8071 SETUP

Standard or Free Swing Inset

Frameless, inset application with 3/4" thick door

- 8080 HKS SAL EB (Black)
- 8080 HKS SAL (NP)
- 8080 HKF SAL (NP)

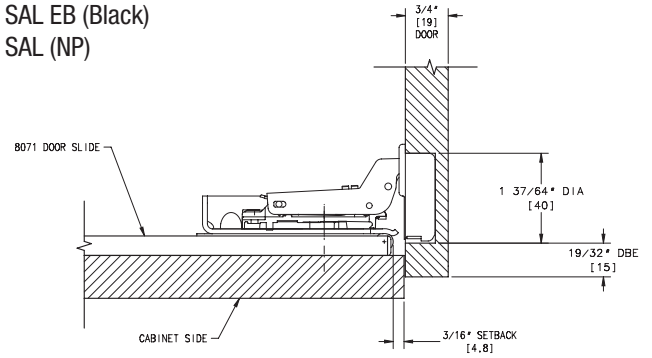


Partial Overlay

Frameless application with 3/4" thick door

Maximum overlay with full hinge adjustment is 3/8"

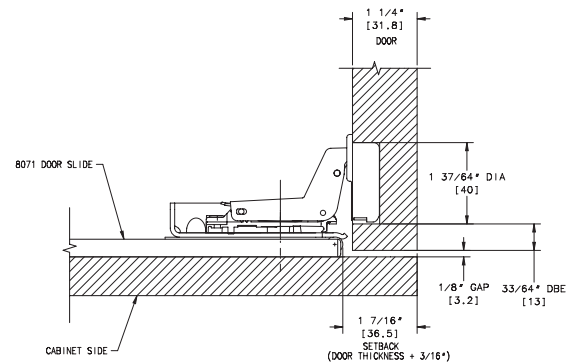
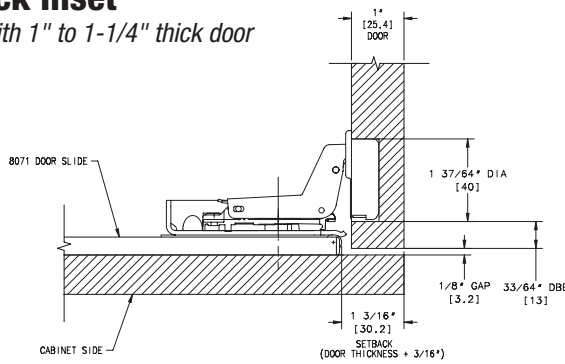
- 8080 HKL SAL EB (Black)
- 8080 HKL SAL (NP)



Thick and Extra-thick Inset

Frameless, inset application with 1" to 1-1/4" thick door

- 8080 HKX SAL EB (Black)
- 8086 HKF SAL (NP)

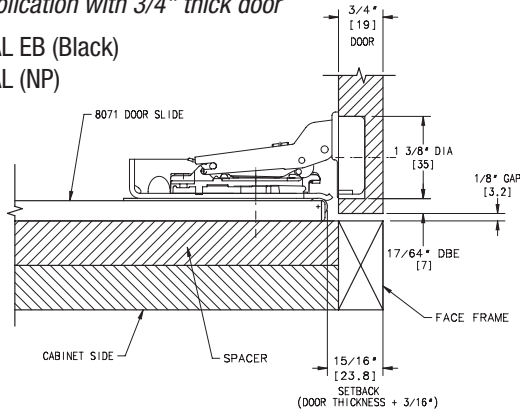


FACE-FRAME APPLICATIONS - 8071 SETUP

Standard Inset

Face-frame application with 3/4" thick door

- 8080 HKS SAL EB (Black)
- 8086 HKS SAL (NP)

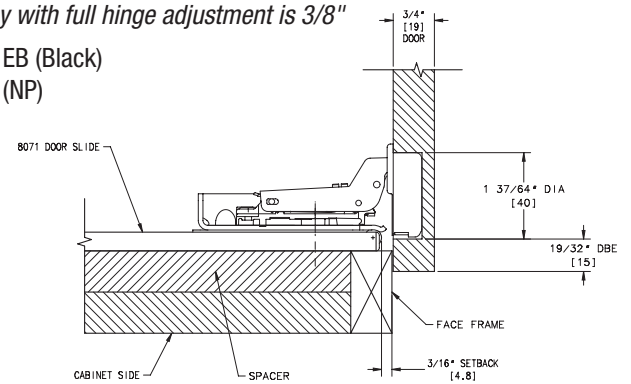


Partial Overlay

Face-frame application with 3/4" thick door

Maximum overlay with full hinge adjustment is 3/8"

- 8080 HKL SAL EB (Black)
- 8086 HKF SAL (NP)



HINGE SETUP CHART

Hinge Options	Hinge Description	Door Thickness	Edge Bore Distance (DBE)	Hinge Cup Bore Dia.	Maximum Slide Width Including Hinge for Partition Installations	Partial Overlay
8080 HKS SAL 8080 HKS SAL EB	Standard Hinge	3/4" [19mm]	17/64" [7mm]	1-3/8" [35mm]	1-21/32" [42.1mm]	N/A
8080 HKF SAL	Standard Hinge w/ Free Swing Knuckle	3/4" [19mm]	17/64" [7mm]	1-3/8" [35mm]	1-21/32" [42.1mm]	N/A
8080 HKL SAL 8080 HKL SAL EB	Partial Overlay Door	3/4" [19mm]	19/32" [15mm]	1-37/64" [40mm]	1-7/8" [47.6mm]	3/8" [9.5mm]
8086 HKX SAL 8086 HKX SAL EB	Extra-Thick Door	1" to 1-1/4" [25.4mm to 32mm]	33/64" [13mm]	1-37/64" [40mm]	2-5/16" [58.7mm]	N/A

Knappe & Vogt reserves the right to change product specifications at any time without notice and without incurring responsibility for existing units.