

*MuV & MuVHD Soft Close Undermount Drawer Slides*



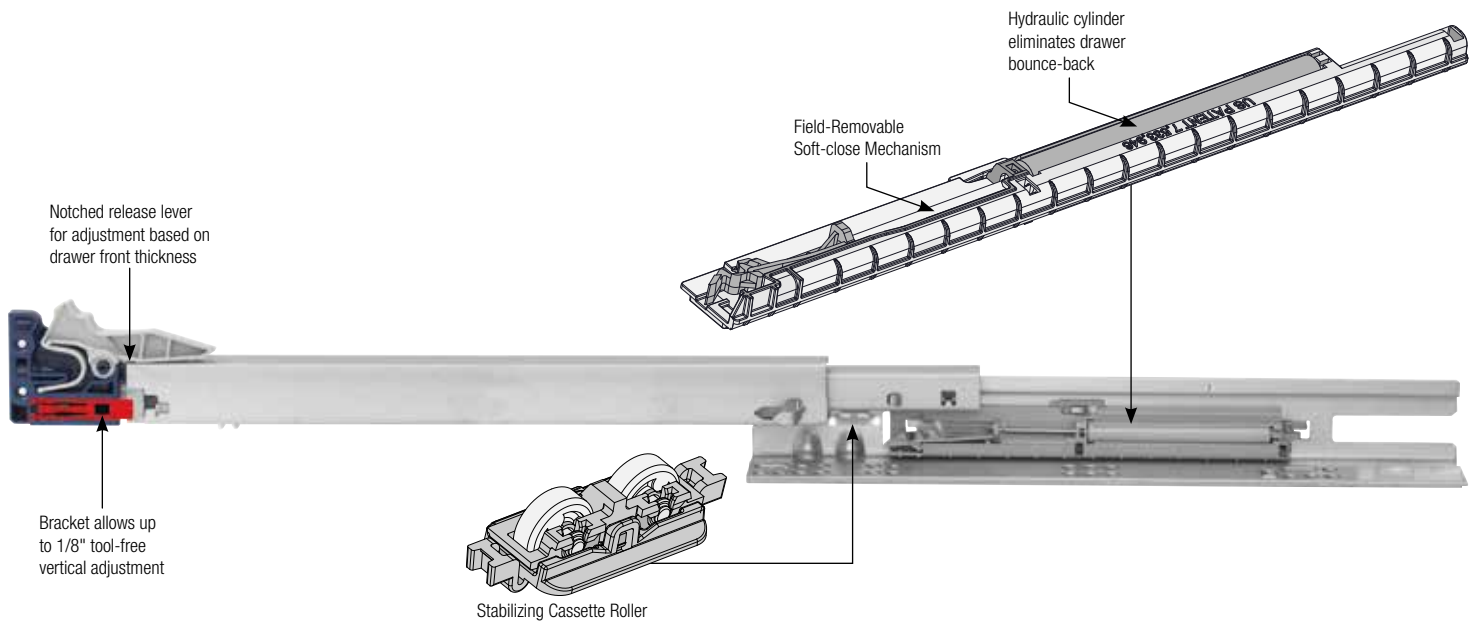
**KNAPE & VOGT.**

# It's time to MuV to one solution.

**MuV** soft close undermount drawer slides set a new standard for quiet and reliable operation. Featuring a number of technological innovations, MuV is the perfect balance of performance and affordability, with no sacrifice in reliability or ease-of-installation. It's time to MuV up to the maximum undermount value in the market today.

Patented soft close mechanism with integrated spring dampener technology delivers superior performance.

MuV's fully integrated soft close mechanism features the perfect balance of opening force and closing speed to ensure consistent positive closure. With a long dampening stroke (2-1/4" on 18" and larger slides), the hydraulic cylinder helps glide the drawer closed and eliminates the drawer "bounce" common to air filled cylinders. The mechanism can be removed and replaced independently of the slide.

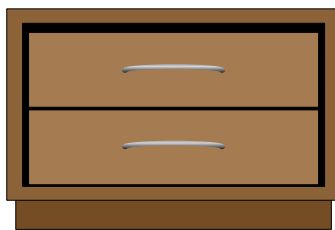


Stabilizing cassette roller keeps closed drawer fronts aligned and true.

Integrated cassette rollers help to stabilize content load and eliminate sag when the drawer is in the closed position. Inset drawers stay perfectly aligned and true.



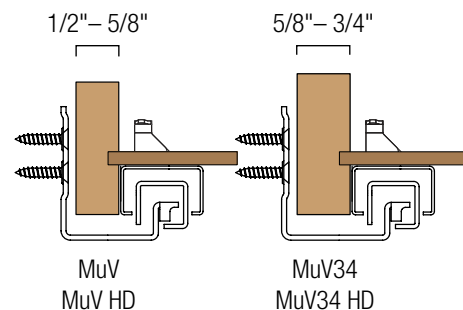
Stabilizing cassette rollers prevent drawer sag. Inset drawers stay aligned and true in closed position.



Slides without stabilizing cassette rollers tend to sag, making for an unsightly appearance and increasing the possibility of drawer malfunction.

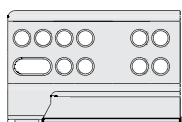
Built to handle drawer box material up to 3/4" thick.

MuV and MuV HD are available in two material width models, allowing the use of drawer box material up to 3/4" in thickness.

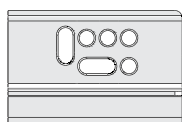


## Set up, installation, and fine-tuning is as easy as 1-2-3.

1. MuV supports industry standard drawer box construction and features a 32mm mounting hole pattern.
2. MuV features elongated mounting holes on both the front and back of the drawer member, making horizontal and vertical adjustments fast and simple.



Front Mounting Hole Pattern



Rear Mounting Hole Pattern

3. MuV's ergonomic front release brackets feature tool free 1/8" height adjustment for post-installation fine-tuning. Notched release brackets are designed to accommodate various drawer fronts. Open areas allow better fastener access.

**NEW! MuV HD** is a 120 pound load class slide that supports drawers up to 30" deep and 42" wide. MuV HD is perfect for heavy pot and pan drawers, deeper cabinets, and for wider drawers that are becoming more popular. MuV HD offers two additional lengths than its competition (20" and 22"), that provide up to 2" additional drawer storage for 24" base cabinets.

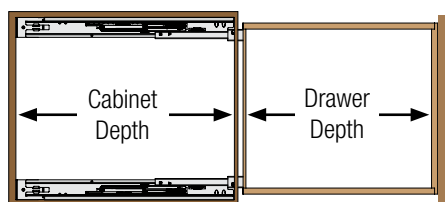


## More sizes mean deeper drawer boxes for more usable storage space.

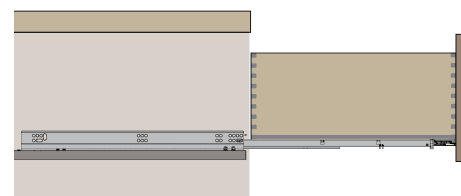
MuV and MuV HD's extended slide sizes give cabinet makers complete flexibility, including the ability to create deeper drawer boxes in standard cabinet configurations. By using MuV and MuV HD undermount slides, up to 2 full inches of additional drawer box depth can be built into the cabinet.

## Full extension for complete drawer box access.

All MuV and MuV HD slides 18" and longer feature a true full extension, which allows for complete access to drawer contents.



Cabinet Depth	Competitor Slide Length	MuV Slide Length	MuV HD Slide Length	Drawer Depth Gain
12"	9"	9"	-	
12"	9"	10"	-	+1"
15"	12"	12"	-	
15"	12"	14"	-	+2"
18"	15"	15"	-	
18"	15"	16"	-	+1"
21"	18"	18"	18"	
21"	18"	20"	20"	+2"
24"	21"	21"	21"	
24"	21"	22"	22"	+1"



True full extension on sizes 18" and longer.

# Technical Information

Name	Load Rating	Travel	Finish	Warranty
MuV	75 lb Class	Full Extension	Galvanized	Limited Lifetime
MuV HD	120 lb Class	Full Extension	Galvanized	Limited Lifetime

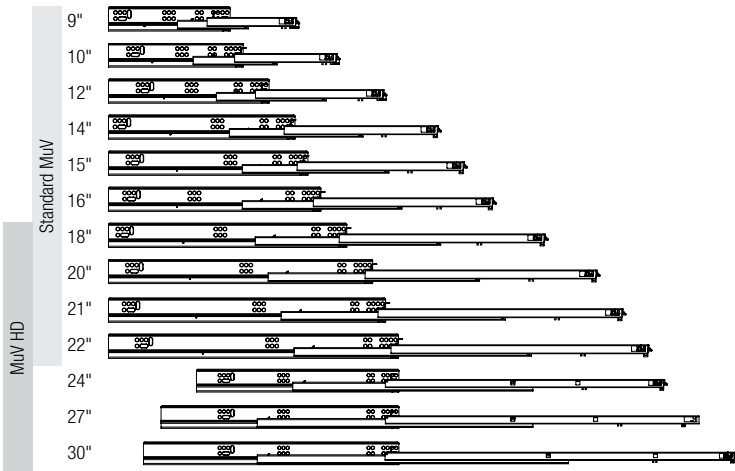
## Performance Standards

All MuV and MuV HD undermount slides meet or exceed performance standards as established by BIFMA, BHMA, and KCMA.

## Packaging

MuV	6 sets per carton. Includes front release levers (14"+) 4 sets per carton. Includes front release levers (9", 10", 12")
MuV HD	4 sets per carton. Includes front release levers

## Slide Size Chart



## Part Numbers

Drawer Length	75 lb Class		120 lb Class	
	MuV	MuV34	MuVHD	MuV34HD
9"	MUVB 9	MUV34B 9	–	–
10"	MUVB 10	MUV34B 10	–	–
12"	MUVB 12	MUV34B 12	–	–
14"	MUVB 14	MUV34B 14	–	–
15"	MUVB 15	MUV34B 15	–	–
16"	MUVB 16	MUV34B 16	–	–
18"	MUVB 18	MUV34B 18	MUVHDB 18	MUV34HDB 18
20"	MUVB 20	MUV34B 20	MUVHDB 20	MUV34HDB 20
21"	MUVB 21	MUV34B 21	MUVHDB 21	MUV34HDB 21
22"	MUVB 22	MUV34B 22	MUVHDB 22	MUV34HDB 22
24"	–	–	MUVHDB 24	MUV34HDB 24
27"	–	–	MUVHDB 27	MUV34HDB 27
30"	–	–	MUVHDB 30	MUV34HDB 30

## Accessories

### MuV & MuV34

**MUV-RBM**  
Rear Mounting Bracket (Metal)  
For 14"+ sizes  
Carton Qty: 12



### MuV & MuV34

**MUV-RBP**  
Rear Mounting Bracket (Plastic)  
For 9"/10"/12" sizes  
Carton Qty: 8 (4 right hand; 4 left hand)



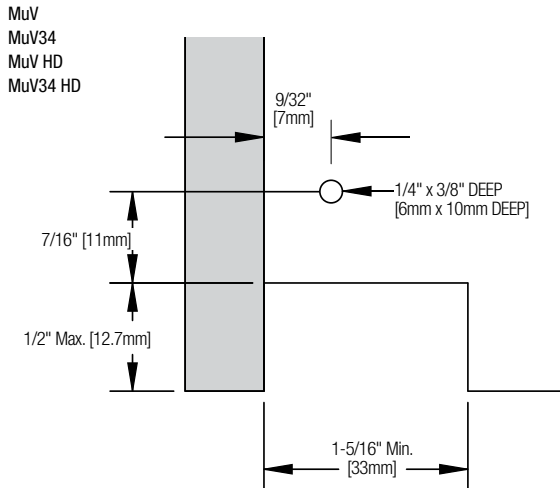
### MuV, MuV34, MuV HD, MuV34 HD

**MUV-121**  
Slide Drill Jig



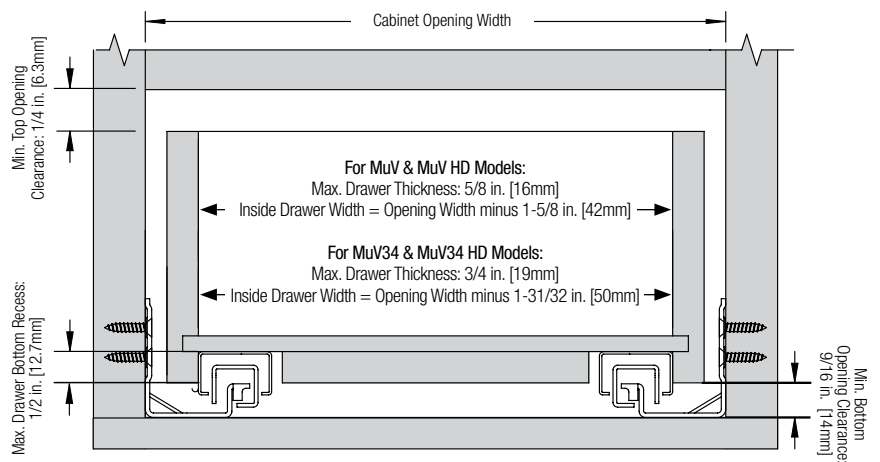
Note: MuV HD Face Frame applications must be blocked out.

## Drawer Notch & Bore



## Drawer Dimensions For Face Frame & Frameless Applications

### MuV, MuV34, MuV HD, MuV34 HD



### Drawer Width Calculator

Drawer Thickness	Deduct from Opening Width	
	MuV & MuV HD	MuV34 & MuV34 HD
3/4" (19mm)	–	15/32" (12mm)
11/16" (17.5mm)	–	19/32" (15mm)
5/8" (16mm)	3/8" (10mm)	23/32" (18mm)
9/16" (14mm)	9/16" (14mm)	–
1/2" (13mm)	5/8" (16mm)	–



**KNAPE & VOGT**

2700 Oak Industrial Dr. NE  
 Grand Rapids, MI 49505-6026 USA  
 1.800.253.1561 | 616.459.3311  
 Fax: 877.636.3290  
 www.kv.com