

Medium-Duty

100 lb. Load Class

1/2" Side Clearance

Max. Drawer Width: 24"



GS4270 Soft-Close Drawer Slide

Manufactured by KV Asia in Tapei, Taiwan, KV GSlide is our best-in-class ball-bearing import slide. It is a favorite of cabinet makers with cost sensitive projects who are looking for high-quality, consistent soft-close performance. The KV GS4270 Series 100 lb. Soft-Close drawer slide offers the latest in soft-close technology, delivering an ultra-smooth slide operation and a high-quality soft-close dampening effect.

Applications

- Wood residential and commercial furniture
- Architectural, laboratory and school casework
- Store fixtures and displays
- Storage drawers

Specifications

Model: GS4270 Soft-Close Drawer Slide

Mounting: Side

Disconnect: Lever

Material: Steel

Hole Pattern: 32mm and Traditional

Type: Ball-Bearing

Travel: Full Extension: 16"-28"

Less than Full Extension: 12" = 8.4" Extension; 14" = 11.9" Extension

Finish: Zinc (ZC)

Length: 300mm, 350mm, 400mm, 450mm,
500mm, 550mm, 600mm, 650mm, 700mm

Clearance: .50" + .03"-0" on each side

Height: 1.79" [45.5mm]

Packaging: 10 Pair and 1 set of instructions per box

Action: Telescopic movement on ball-bearings

Side Configuration: Unhanded

Rating

Load: 100 lb.

Max. Recommended Drawer Width: 24"

As with all Knap & Vogt drawer slides, the GS4270 is designed to meet or exceed performance standards as established by BIFMA, BHMA and KCMA

Accessories

GS4340 RB: Metal Rear Mounting Bracket (not included)

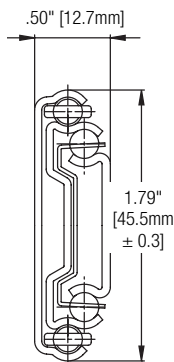
Hardware

#7 x 1/2" Phillips Pan Head

Warranty

Limited Lifetime Warranty

Profile



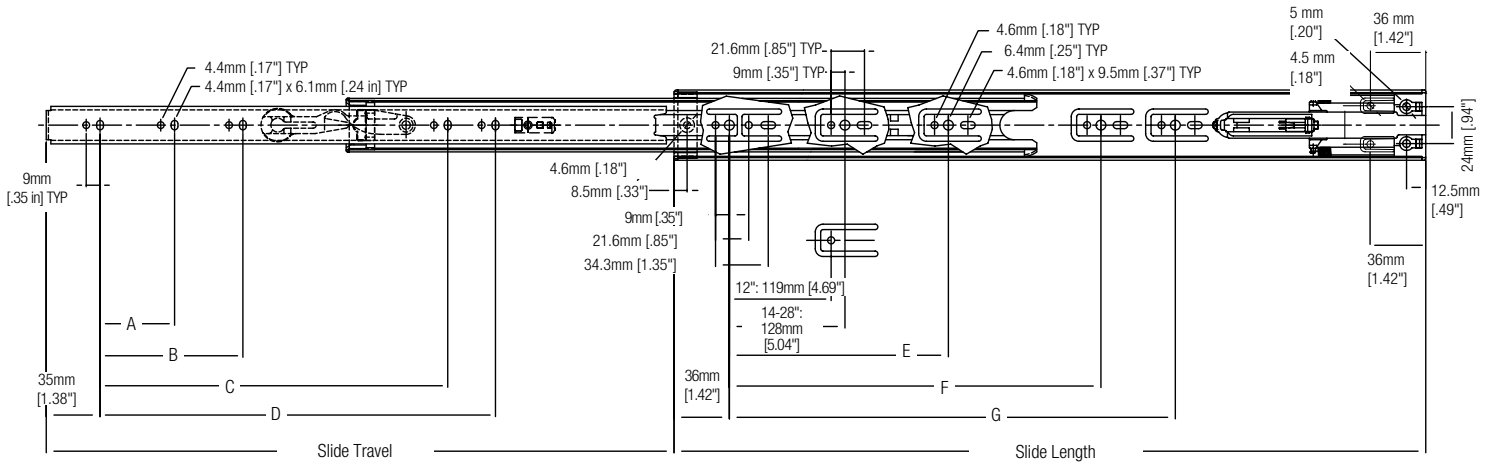
Clearance

1/2" + 1/32"-0"

.50" + .03"- 0"

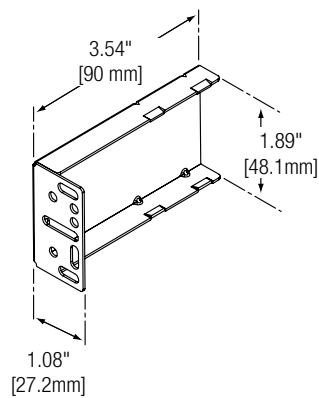
12.7mm + .8mm - 0mm

Charted Information



SKU Number	Slide Size mm/inch	Length mm/inch	Travel mm/inch	A mm/inch	B mm/inch	C mm/inch	D mm/inch	E mm/inch	F mm/inch	G mm/inch
GS4270 12	300mm [12"]	300mm [11.8"]	213mm [8.39"]	—	—	—	156mm [6.14"]	—	—	—
GS4270 14	350mm [14"]	350mm [13.78"]	303mm [11.93"]	—	—	—	200mm [7.87"]	—	—	—
GS4270 16	400mm [16"]	400mm [15.75"]	404mm [15.90"]	96mm [3.78"]	—	—	256mm [10.08"]	208mm [8.19"]	—	—
GS4270 18	450mm [18"]	450mm [17.72"]	455mm [17.91"]	128mm [5.04"]	—	—	294mm [11.57"]	256mm [10.08"]	—	—
GS4270 20	500mm [20"]	500mm [19.69"]	505mm [19.88"]	96mm [3.78"]	160mm [6.29"]	—	344mm [13.54"]	304mm [11.97"]	—	—
GS4270 22	550mm [22"]	550mm [21.65"]	555mm [21.85"]	96mm [3.78"]	160mm [6.29"]	—	394mm [15.51"]	224mm [8.82"]	352mm [13.86"]	—
GS4270 24	600mm [24"]	600mm [23.62"]	605mm [23.82"]	128mm [5.04"]	192mm [7.56"]	—	444mm [17.48"]	224mm [8.82"]	352mm [13.86"]	—
GS4270 26	650mm [26"]	650mm [25.59"]	655mm [25.79"]	128mm [5.04"]	224mm [8.82"]	416mm [16.38"]	494mm [19.45"]	224mm [8.82"]	352mm [13.86"]	448mm [17.64"]
GS4270 28	700mm [28"]	700mm [27.56"]	705mm [27.76"]	128mm [5.04"]	224mm [8.82"]	480mm [18.90"]	544mm [21.42"]	224mm [8.82"]	352mm [13.86"]	496mm [19.53"]

Less than Full Extension: 12" = 8.4" Extension; 14" = 11.9" Extension



GS4340 RB Metal Rear Bracket



KNAPE & VOGT.
 2700 Oak Industrial Dr. NE
 Grand Rapids, MI 49505-6026 USA
 1.800.253.1561 | 616.459.3311
 Fax: 877.636.3290
 www.kv.com

Manufactured by Knap & Vogt Asia / Taipei, Taiwan. Distributed by Knap & Vogt Manufacturing Company.

This and other KV literature is available for download at www.kv.com > Resource Library.

Knap & Vogt reserves the right to change product specifications at any time without notice and without incurring responsibility for existing units.

©2020 Knap & Vogt. KV GSlide. KV and the KV logo are trademarks of Knap & Vogt.

OL2262_REV-A_0120