

NEW!

Multi-Use Baskets

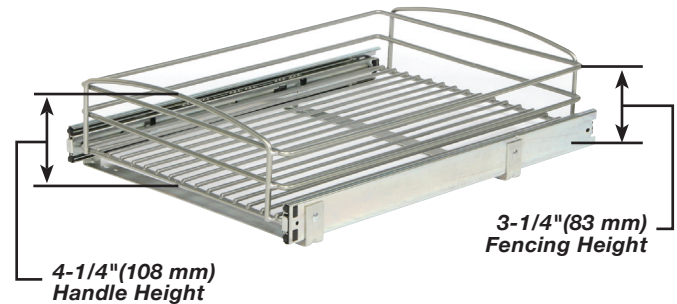
- Holds up to 75 lbs.
- Heavy gauge wire
- Eco-friendly finish



MUB11-FN




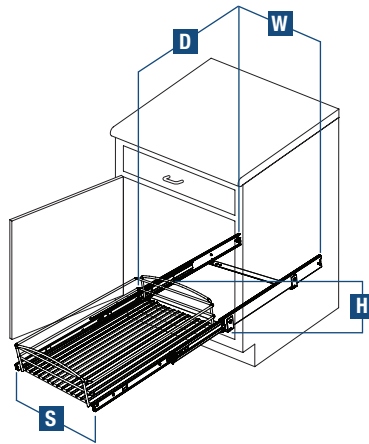
MUB14-FN



There's no more need to get on the floor and scrounge around in the back of the cabinet to find or reach items anymore. Multi-Use Baskets from Knap & Vogt® keep items organized in kitchens and baths and just about any base cabinet area that needs tidying. The basket extends completely outside of the cabinet, allowing convenient and full access to all items. It glides on KV® heavy-duty, ball bearing precision slides, ensuring a lifetime of good use. Heavy-gauge wire and ample fencing keeps items secure and also provides a convenient handle for easy access. The new proprietary Frosted Nickel finish is durable and coordinates with today's popular nickel and stainless steel finishes. It is also an eco-friendly alternative to chrome-plated finishes.

Features:

-  NEW KV eco-friendly Frosted Nickel finish
- Pull-out basket provides flexible storage and access
- Heavy-gauge wire and fencing keep items safe and secure
- Easy installation with only 4 screws



Stock #	Sliding Assembly	Assembled Product Dimensions			Units per Carton	Weight per Carton
	S Width	W Width	H Height	D Depth		
MULTI-USE BASKETS						
MUB11-FN	10-1/2" [267 mm]	11-3/4" [299 mm]	5-5/16" [135 mm]	20" [508 mm]	1	8.5 lbs. [3.9 kg.]
MUB14-FN	13-1/2" [343 mm]	14-3/4" [375 mm]	5-5/16" [135 mm]	20" [508 mm]	1	9.5 lbs. [4.3 kg.]

Features:

- Installs easily with only 4 screws
- Heavy-duty KV® precision ball bearing slides
- Made in the USA

NEW Eco-friendly Frosted Nickel Finish

- Designed to coordinate with today's popular nickel and stainless steel finishes
- Durable, proprietary finish is earth-friendly
- Great alternative to Chrome plating

Applications

Single pull-out basket provides flexible storage and easy access for a wide variety of items in kitchens, baths and anywhere convenient storage is needed.

Load Rating:

Up to 75 lbs. (when properly installed)

Material: Heavy-gauge wire

Finish: Frosted Nickel, powder-coated.

Knappe & Vogt reserves the right to change product specifications at any time without notice and without incurring responsibility for existing units.