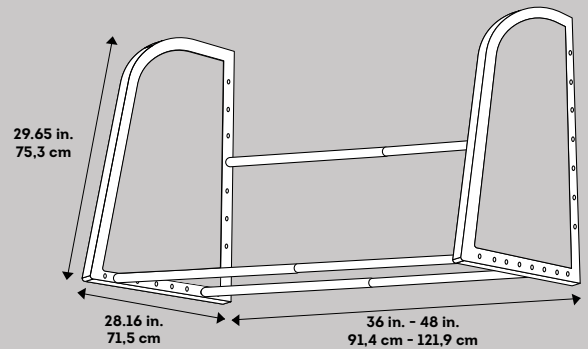




## TireLoft™ Wall Mounted Multi-Tire Storage

The TireLoft is a great solution for storing all types of tires: auto, truck or seasonal. Also ideal for recreational tires such as motorcycle, ATV tires and racing tires, and wheels. The installation is quick and simple: The two steel end frames attach directly to the wall studs on finished or unfinished walls. The Tire Loft is made entirely of strong, powder coated steel and will accommodate up to four large tires. Can be mounted at adjustable widths of 36 in. to 48 in. and features a red finish with silver support tubes. Weight load capacity up to 375 lbs.



### Product Information & Details

- Telescoping support tubes expand to allow for mounting widths from 36 in. to 48 in.
- Quick and simple installation to wall studs
- Can easily accommodate four or more standard size seasonal tires, RV tires, ATV tires and more
- Strong, durable steel construction



Item	Description	Finish	Individual Carton Dimensions			Unit Pack Qty	Unit Weight (lbs.)	Pallet Dimensions			Pallet Qty	Pallet Weight (lbs.)	UPC	Retail Packaging Language
			L	W	D			L	W	D				
01012	TireLoft Wall Mounted Multi-Tire Storage	Red/Silver	29.65	29.65	2.83	1	27	49.61	29.72	29.72	15	455	817743010124	English/French