



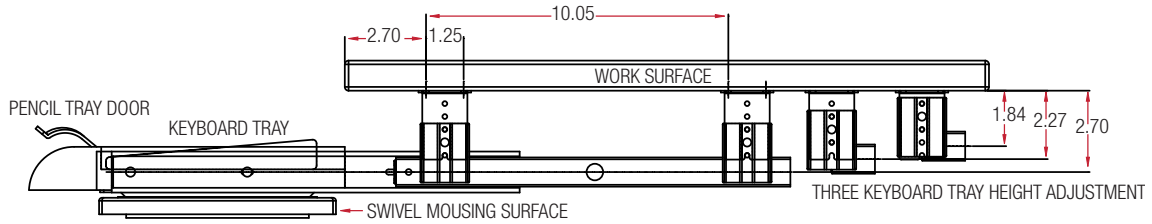
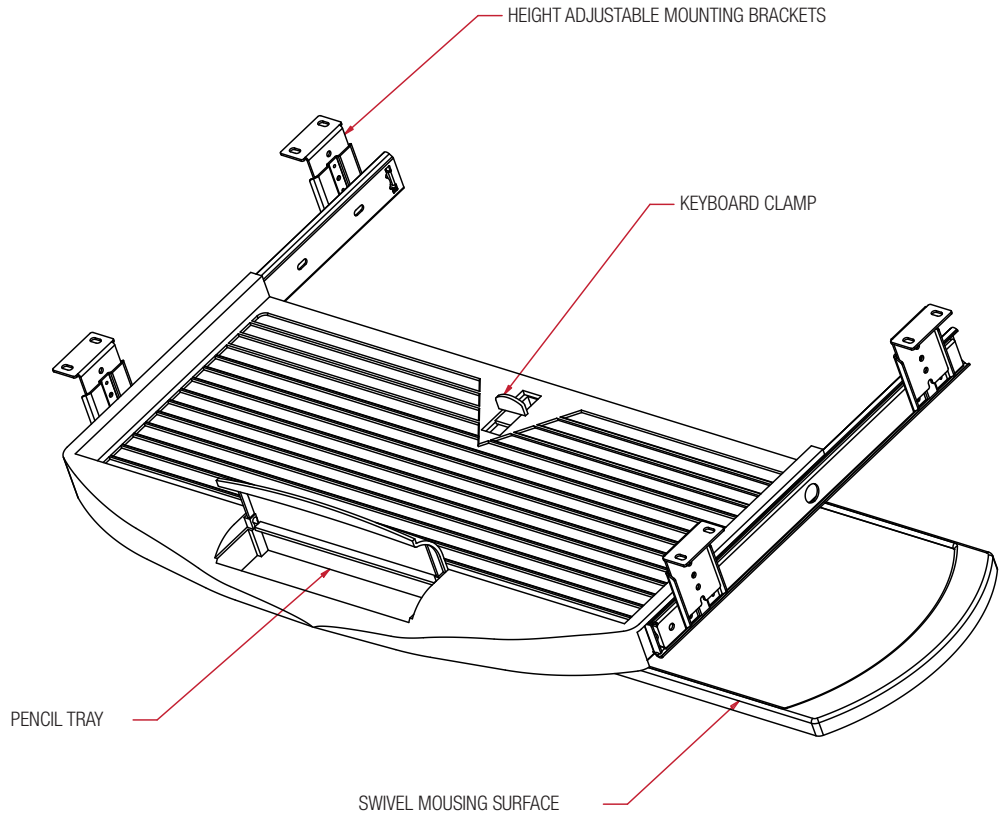
C400

## Hide & Slide Tray

Hide & Slide is an economical keyboard tray solution intended for occasional computer users. Hide & Slide is a height adjustable ergonomic keyboard holder which features a contoured palm rest with a compartment for pens, pencils and supplies, plus a mousing surface that slides below the tray when not in use. For added convenience, the entire unit slides easily below most work surfaces on precision ball bearing drawer slides.

### C400 Series

Features	Benefits
Stable, durable design	Sturdier than a steel tray
Two low friction ball bearing slides for installation and storage below work surface	Makes the tray slide easier into the storage position under the work surface
Pull out mouse tray (mountable left or right)	Adjustable mousing to a left or right side neutral zone allows for better ergonomic positioning
Palm rest / pencil and pen compartment	Palm rest offers gentle support while the pencil and pen compartment offers a handy storage area
Keyboard platform accommodates standard and ergonomic shaped keyboards	Designed with flexibility in mind without losing focus on ergonomics

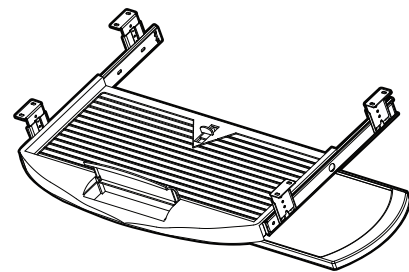


## Hide & Slide Tray C400 Series

### Ancillary Products:

- Use with Knape & Vogt Waterloo CPU holders
- For flat panel displays, specify the Concerto flat panel support system

Model	Bracket Height	Tray Width	Tray Depth	Load	Storage	Finish	Weight
C400	1.8" to 2.7"	21.9"	10.6"	100 lbs	16" Ball bearing slides	Black plastic	4.6 lbs



Finish: Black  
Code Compliance: Exceeds ANSI/BIFMA standards

Notes: 1. Weight = packaged shipping weight per unit. 2. Specifications are subject to change without notice.



2700 Oak Industrial Dr. NE  
Grand Rapids, MI 49505-6026 USA  
1.800.253.1561 | 616.459.3311  
Fax: 877.636.3290  
[www.kv.com](http://www.kv.com)

This and other KV literature is available for download at [www.kv.com](http://www.kv.com) > Resource Library

Knape & Vogt reserves the right to change product specifications at any time without notice and without incurring responsibility for existing units.  
©2016 Knape & Vogt. KV and the KV logo are trademarks of Knape & Vogt.

OL2475/0117