



7820SHD12

## *Concerto* *Dual Hub*

Flexibility and modularity reach new heights with the Dual Mounting Hub from Knapé & Vogt Waterloo. The monitor arm hub provides an ideal solution for multiple monitor configurations. Discover the unlimited possibilities with the 7820SHD12.

### *7800 series*

#### Features & Benefits

The Hub has a locking device to allow it to be firmly clamped to the pole, as well as preventing the hub from rotating, thereby eliminating any play from the monitors, while still allowing the monitor to tilt and swivel

Hub provides the end-user with the ability to mount two (38" max. width)

Modularity and scalability make this product one of the most adaptable monitor arm solutions available. Monitor arms can be added easily without using all new equipment or discarding parts.

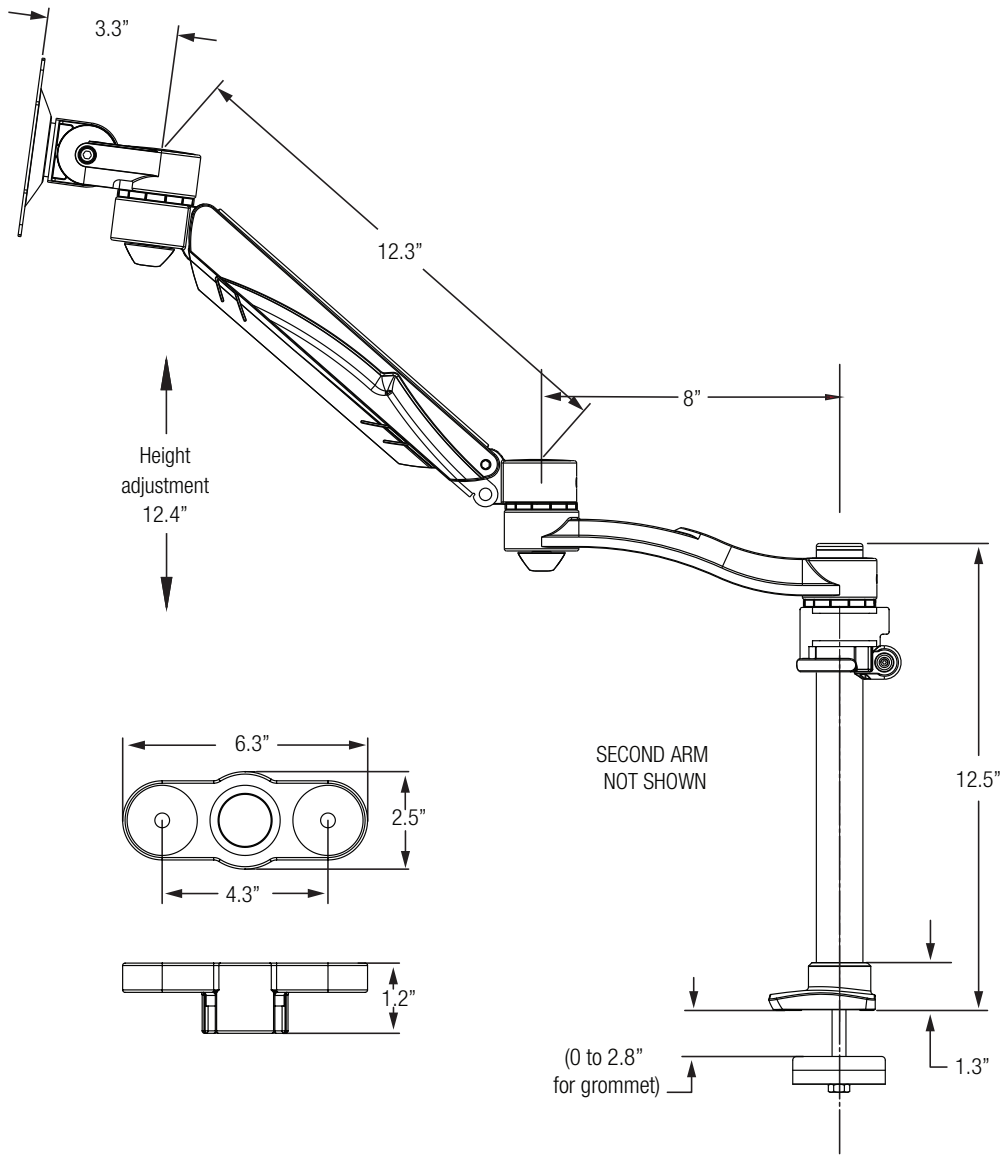
The Concerto supports a 20 lbs load capacity (per screen)

Cable manager keeps all cables organized

Grommet mount hardware included

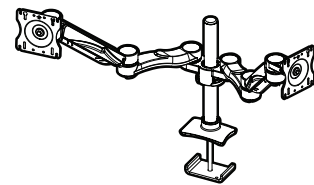
Grommet adjustable to fit most desks and work surfaces

Monitor mounting bracket, with Quick Connect, contains 75mm and 100mm hole patterns to comply with VESA standards



*Concerto with Height Adjustable Arm and Dual Hub* 7800 series

Model	Description
7820SHD12	Dual-Screen, two Double-Extension Arms, one height adjustable and one fixed, assembled together with Dual Hub
<p>To specify color, other than silver, replace the "S" in part number with: <b>B</b> = Black <b>W</b> = White                      For example, to get a "7820SHD12" in white, order 7820WHD12.</p>	



Note: Specifications are subject to change without notice.