



KNAPE  
& VOGT®



7823SH

## Concerto

The 7823 Concerto has been redesigned to incorporate a look that is comparable to the height adjustable segment. The longer arm provides an extended reach to increase the sit-to-stand capabilities, giving the end user greater ergonomic options.

## 7800 series

### Features & Benefits

Flexibility and more options for the end user with a simple, easy-to-use Allen wrench adjustment

Double Extension models allow 25.1" of back and forth movement. Arm folds back to post for more desk space

The Concerto supports a 20 lbs load capacity (per screen)

Desk clamp and grommet mount hardware are included to minimize SKUs

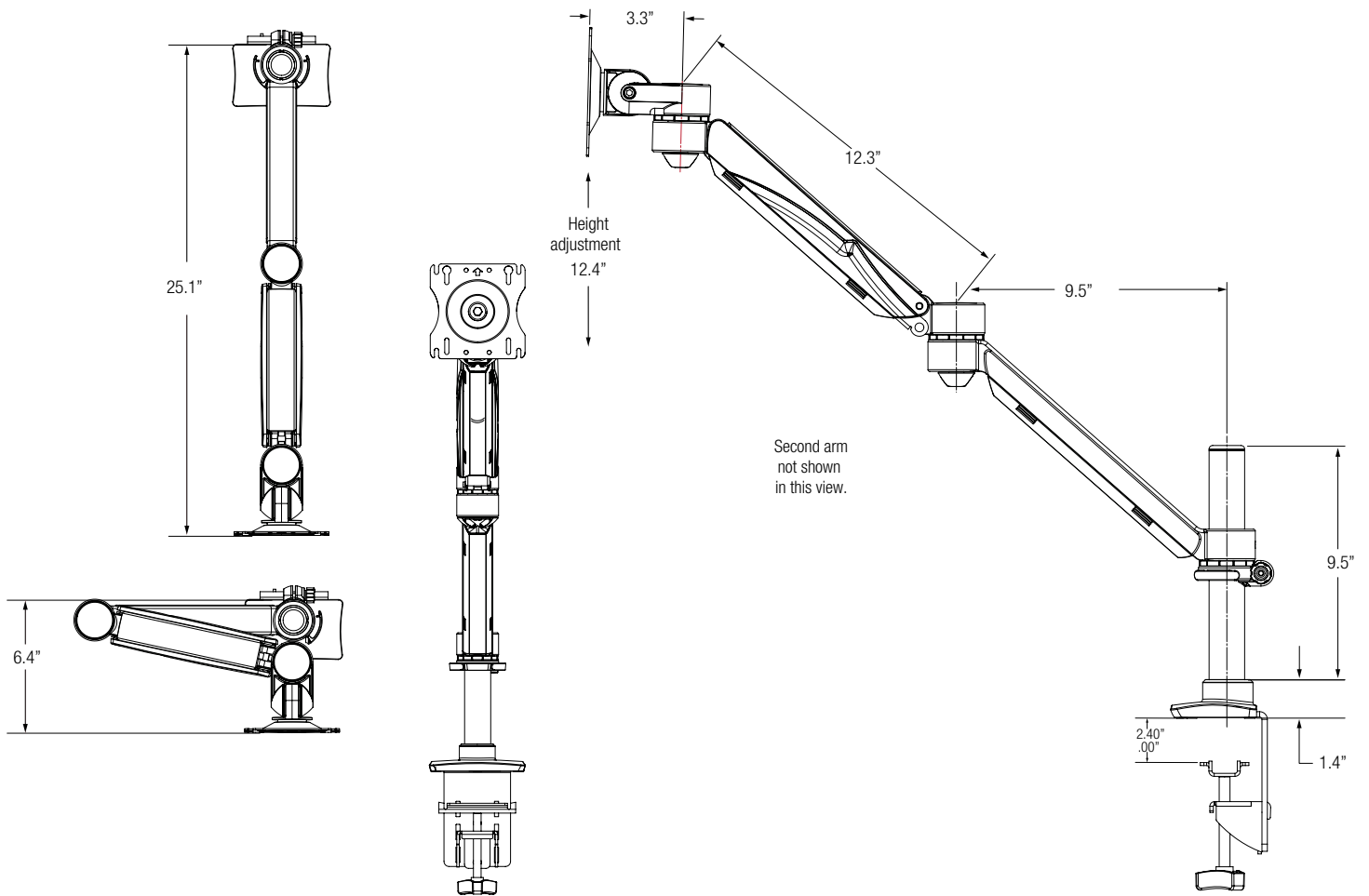
Clamp and grommet adjustable to fit most desks and work surfaces

Cable manager keeps all cables hidden

Monitor mounting bracket, with Quick Connect, contains both 75mm and 100mm hole patterns to comply with VESA standards

Allows for a maximum 38" screen width

Choice of finishes – silver, white, black or polished



### Concerto Height Adjustable Arm 7800 series

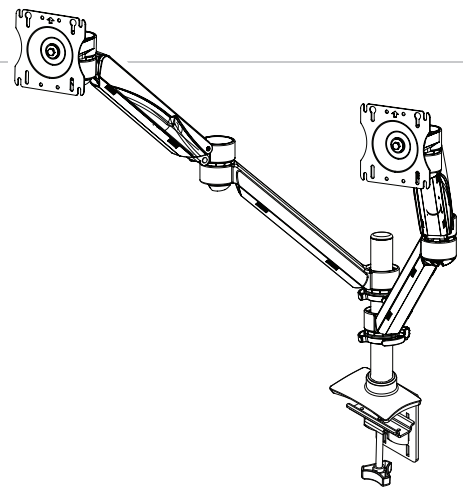
Model	Description
7823SH	Dual-Screen, two Double-Extension Arms with one Height-Adjustable Segment and one Extended Fixed Segment

### Colour Options

To specify colour, other than silver, replace the "S" in the part number with:

**B** = Black **W** = White **P** = Polished

For example, to get a "7823SH" in white, order 7823WH.



Notes: 1. Weight = packaged shipping weight per unit. 2. Specifications are subject to change without notice.



2700 Oak Industrial Dr. NE  
 Grand Rapids, MI 49505-6026 USA  
 1.800.253.1561 | 616.459.3311  
 Fax: 877.636.3290  
[www.kv.com](http://www.kv.com)

This and other KV literature is available for download at [www.kv.com](http://www.kv.com) > Resource Library

Knap & Vogt reserves the right to change product specifications at any time without notice and without incurring responsibility for existing units.  
 ©2016 Knap & Vogt. KV and the KV logo are trademarks of Knap & Vogt.