



7945S



7900 series

Features & Benefits

The arm swivels 360° around the base, increasing the options for display position

The Concerto supports a 20 lbs load capacity (per screen)

Grommet mount hardware are included to minimize SKUs

Grommet adjustable to fit most desks and work surfaces

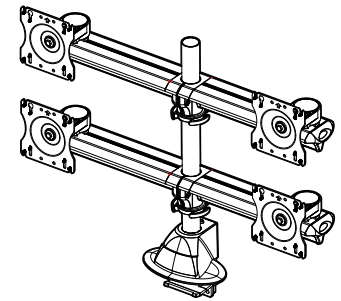
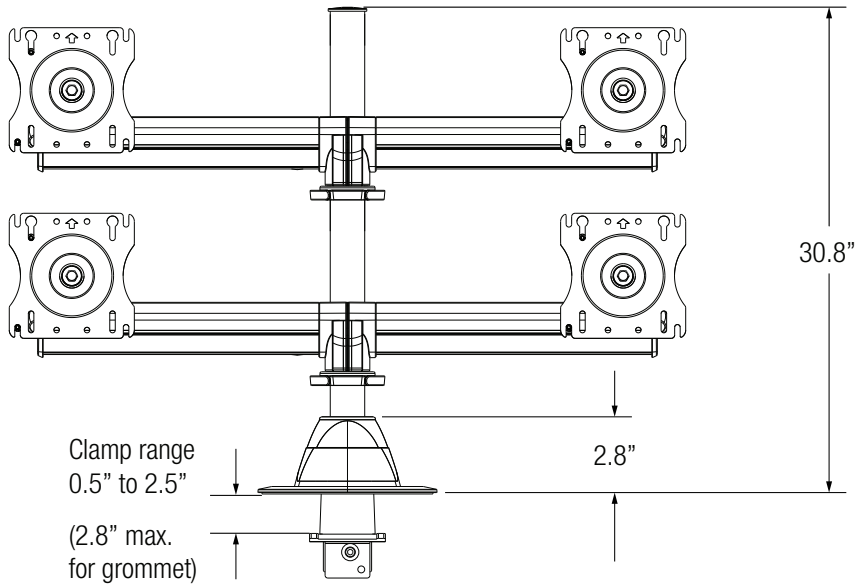
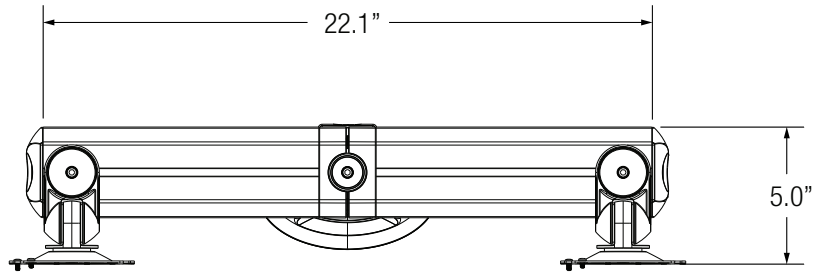
Cable manager keeps all cables tidy

Monitor mounting bracket with Quick Connect contains both 75mm and 100mm hole patterns to comply with VESA standards

Allows for a maximum 20" screen width

Concerto

The Concerto is a stunning take on an already brilliant innovation from Knapé & Vogt Waterloo. One part workhorse, one part museum piece, this new monitor arm continues in the fine tradition of its predecessor and builds on a sterling reputation.



Concerto Beam Mount 7900 series

Model	Description
7945S	Four Screen Beam Mount (no extension arms), two on two, includes four Quick Connect Adapter Brackets, four 10" beam segments, 16" pole. Max 20" screen width.

Colour Options

To specify colour, other than silver, replace the "S" in the part number with:

B = Black **W** = White

For example, to get a "7945S" in white, order 7945W.



Note: Specifications are subject to change without notice.



2700 Oak Industrial Dr. NE
 Grand Rapids, MI 49505-6026 USA
 1.800.253.1561 | 616.459.3311
 Fax: 877.636.3290
www.kv.com

This and other KV literature is available for download at www.kv.com > Resource Library

*Knap & Vogt reserves the right to change product specifications at any time without notice and without incurring responsibility for existing units.
 ©2017 Knap & Vogt. KV and the KV logo are trademarks of Knap & Vogt.*