



KNAPE  
& VOGT®



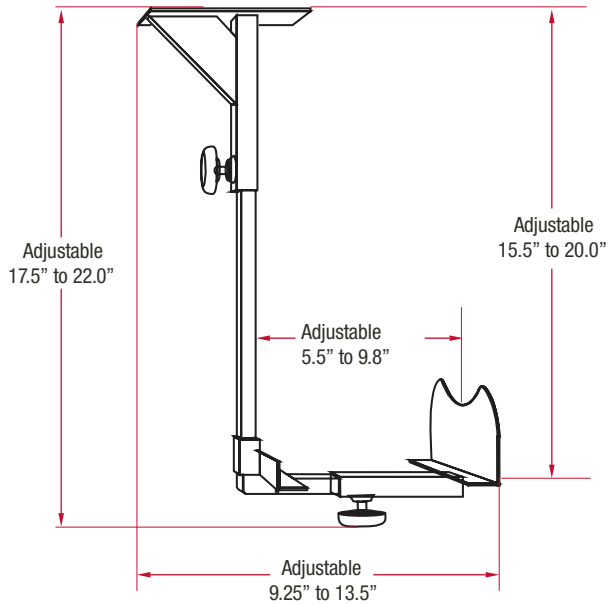
C730

## *Economy CPU Holder*

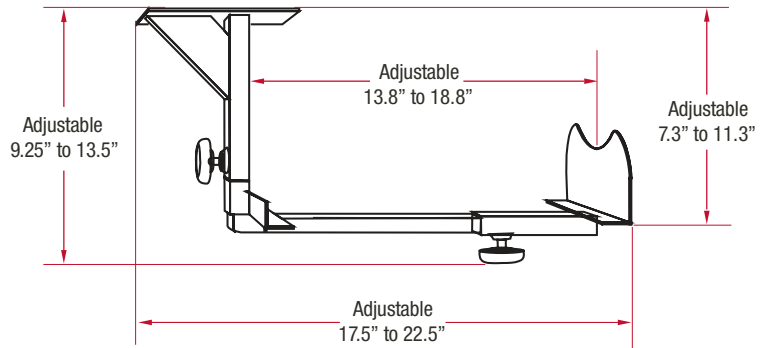
The Economy CPU holder is the solution for those individuals on a fixed budget such as students and small companies. It mounts easily to the underside of the work surface and is adjustable to either a vertical or horizontal position.

### *C730 series*

Features	Benefits
Mounts easily under the work surface	Stores CPU's safely under the desk and off the floor
Adjustable to either a vertical or horizontal position	Can be used for various models of CPUs
Inexpensive	Perfect for those on fixed budgets
Adjustable width (5.5" to 9.8") and height (15.5" to 20.0")	Can be customized to each workstation



Vertical Configuration



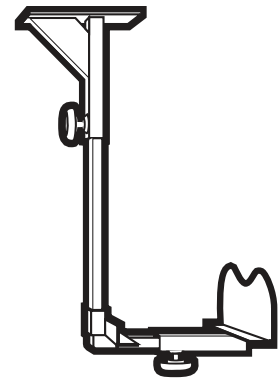
Horizontal Configuration

## Economy CPU Holder *C730 series*

### Ancillary Products:

- Knape & Vogt Waterloo CPU holders are an ideal complement to any Knape & Vogt Waterloo keyboard supports
- Use with Knape & Vogt Waterloo keyboard supports
- For flat panel displays, specify the Concerto flat panel support system

Model	Height Range	Width Range	Storage	Weight
C730 (Vertical)	15.5" / 20.0"	5.5" / 9.8"	Fixed	9.8 lbs
(Horizontal)	7.3" / 11.3"	13.8" / 18.8"	Fixed	9.8 lbs



Black



Code Compliance: Exceeds ANSI/BIFMA standards

Notes: 1. Weight = packaged shipping weight per unit. 2. Specifications are subject to change without notice.



2700 Oak Industrial Dr. NE  
 Grand Rapids, MI 49505-6026 USA  
 1.800.253.1561 | 616.459.3311  
 Fax: 877.636.3290  
[www.kv.com](http://www.kv.com)

This and other KV literature is available for download at [www.kv.com](http://www.kv.com) > Resource Library

Knape & Vogt reserves the right to change product specifications at any time without notice and without incurring responsibility for existing units.  
 ©2017 Knape & Vogt. KV and the KV logo are trademarks of Knape & Vogt.