



KNAPE
& VOGT®



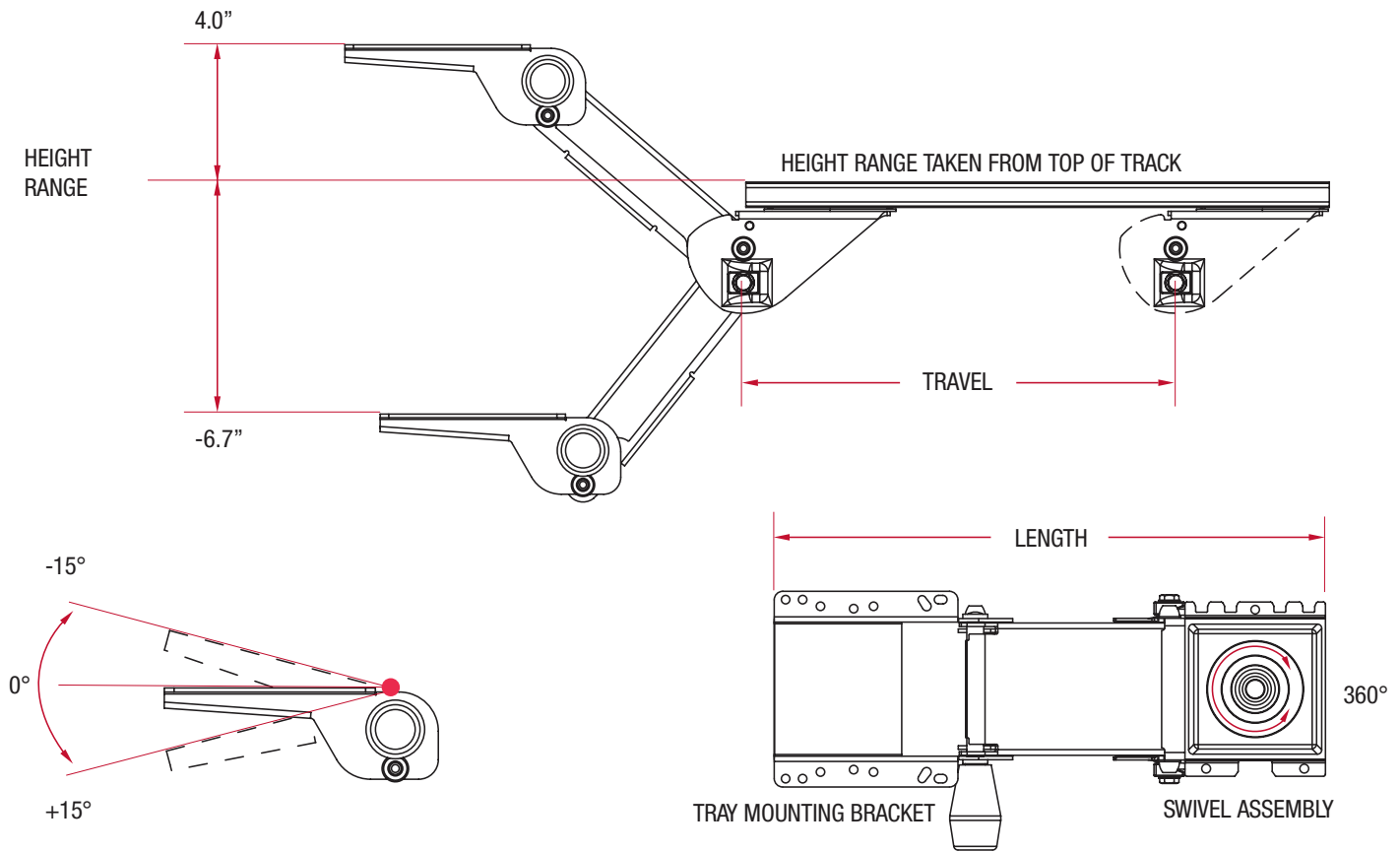
Momentum Arm

Extended Length

The extended length Momentum arm is ideal for corner-mount locations. It provides a solid platform with fast position-changing capability, and works well on stations used by more than one person.

8428 & 8628 series

Features	Benefits
Low profile design	Provides maximum leg room
Patented spring-assisted Lift-n-Lock™ counterbalancing system (no knobs or levers)	Easy to make precise height adjustments for maximum comfort
Soft-touch knob for tilt adjustment	Easy to make precise tilt adjustments for maximum comfort
7-1/2" extended neck	Added neck length is ideal for corner locations
Dual swivel option	Allows keyboard tray to be parallel to the desk even when corner-mounted
360° swivel	User can move keyboard freely from side to side
Available with either glide or low-profile ball bearing storage tracks	Fully retractable when not in use; choose the one that fits your budget
Positive tilt lockout option	Promotes healthier negative tilt of keyboard; reduces risk of repetitive strain injury

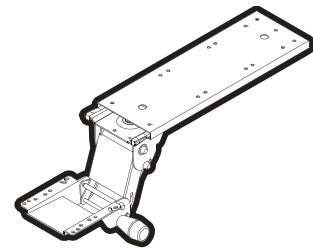


Momentum Arm Extended Length 8428 & 8628 series

Ancillary Products:

- Momentum is an ideal complement to the Harmony tray
- Compatible with most Knap & Vogt Waterloo keyboard trays
- Use with Knap & Vogt Waterloo CPU holders
- For flat panel displays, specify the Concerto flat panel support system

Model	Height Range	Tilt	Length	Travel	Track Size	Track Style	Weight
8428D21	4.0" / -6.7"	-15°/+15°	15.3"	16.8"	21.75"	plastic glide	10.2 lbs
8628D21	3.9" / -6.9"	-15°/+15°	15.7"	16.1"	21.75"	ball bearing	11.4 lbs



Finish: Black
 Code Compliance: Exceeds ANSI/BIFMA standards
 Also available in standard and sit/stand lengths

Notes: 1. Weight = packaged shipping weight per unit. 2. Specifications are subject to change without notice.



2700 Oak Industrial Dr. NE
 Grand Rapids, MI 49505-6026 USA
 1.800.253.1561 | 616.459.3311
 Fax: 877.636.3290
 www.kv.com

ergonomx.kv.com
 cs.waterloo@kv.com

OL2509/0515