



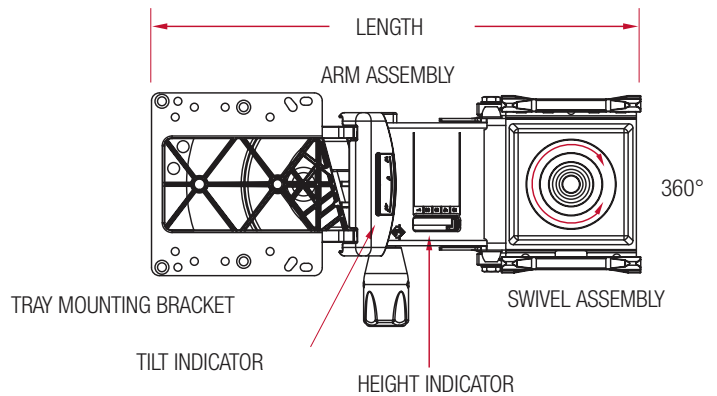
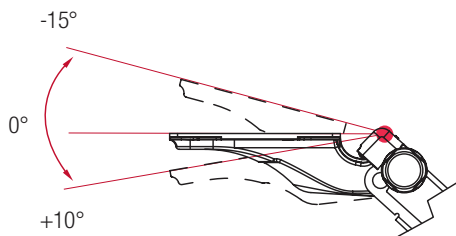
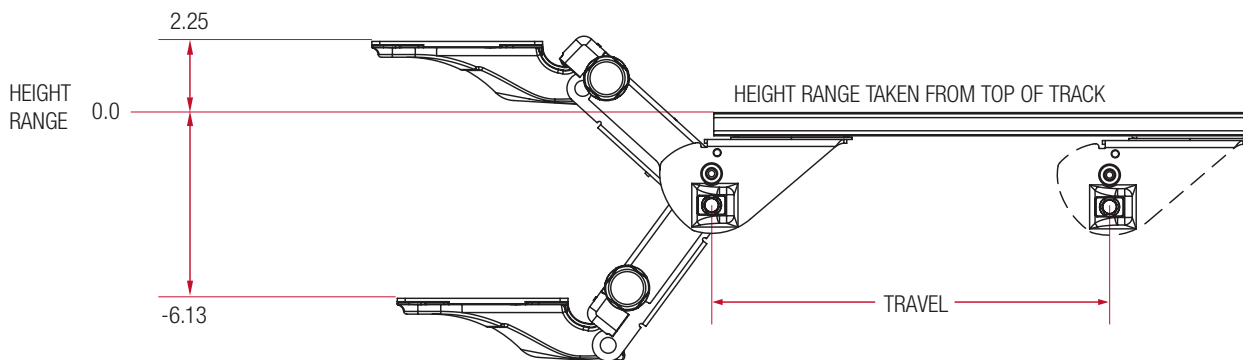
Ovation Arm

Standard Length

No other arm on the market moves like the new Ovation, the revolutionary keyboard support system from Knap & Vogt Waterloo. Designed to offer a greater range of motion and maximum user comfort and safety. Ovation's simple, visual gauges, for both height and tilt, make it effortless to fine tune keyboard position for a personalized fit.

8434 & 8634 series

Features	Benefits
Patented height indicator gauge	Marks user's best ergonomic keyboarding position for repeatable location
Patented dial tilt adjustment	Shows the angle of the tray as tilt knob is turned from -15° to +10°
Molded head tray constructed of durable engineered resin	Lighter weight; added stability design allows higher height range; superior ergonomic form
Ergonomic styling, low profile design	Maximum comfort and leg room
Patented spring-assisted Lift-n-Lock™ counter balancing system (no knobs or levers)	Precise adjustments are quick and easy
5-1/2" length neck	Added neck length is ideal for corner locations
Dual swivel option	Allows keyboard tray to be parallel to the desk even when corner-mounted
360° swivel	User can move keyboard freely from side to side
Available with either glide or low-profile ball bearing storage tracks	Fully retractable when not in use; choose the one that fits your budget
Positive tilt lockout option	Promotes healthier negative tilt of keyboard; reduces risk of repetitive strain injury



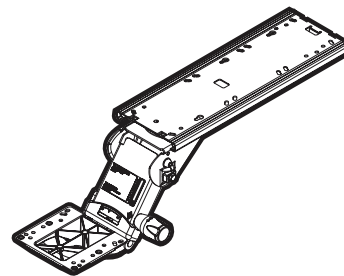
Ovation Arm Standard Length 8434 & 8634 series

Ancillary Products:

- Ovation is an ideal complement to the Harmony tray
- Compatible with most Knape & Vogt Waterloo keyboard trays
- Use with Knape & Vogt Waterloo CPU holders
- For flat panel displays, specify the Concerto flat panel support system

Model	Height Range	Tilt	Length	Travel	Track Size	Track Style	Weight
8434D17	2.3" / -6.1"	-15°/+10°	14.7"	12.0"	17.00"	plastic glide	8.7 lbs
8434D21	2.3" / -6.1"	-15°/+10°	14.7"	16.8"	21.75"	plastic glide	10.0 lbs
8634D17	2.1" / -6.3"	-15°/+10°	15.0"	12.0"	17.00"	ball bearing	10.5 lbs
8634D21	2.1" / -6.3"	-15°/+10°	15.0"	16.8"	21.75"	ball bearing	11.3 lbs

Notes: Weight = packaged shipping weight per unit. Specifications are subject to change without notice.



Code Compliance: Exceeds ANSI/BIFMA standards
Also available in extended and sit/stand lengths.



2700 Oak Industrial Dr. NE
Grand Rapids, MI 49505-6026 USA
1.800.253.1561 | 616.459.3311
Fax: 877.636.3290
www.kv.com

This and other KV literature is available for download at www.kv.com > Resource Library

Knape & Vogt reserves the right to change product specifications at any time without notice and without incurring responsibility for existing units.
©2017 Knape & Vogt. KV and the KV logo are trademarks of Knape & Vogt.