

# *Fusion Slim Workstation*



## *Intelligently Designed*

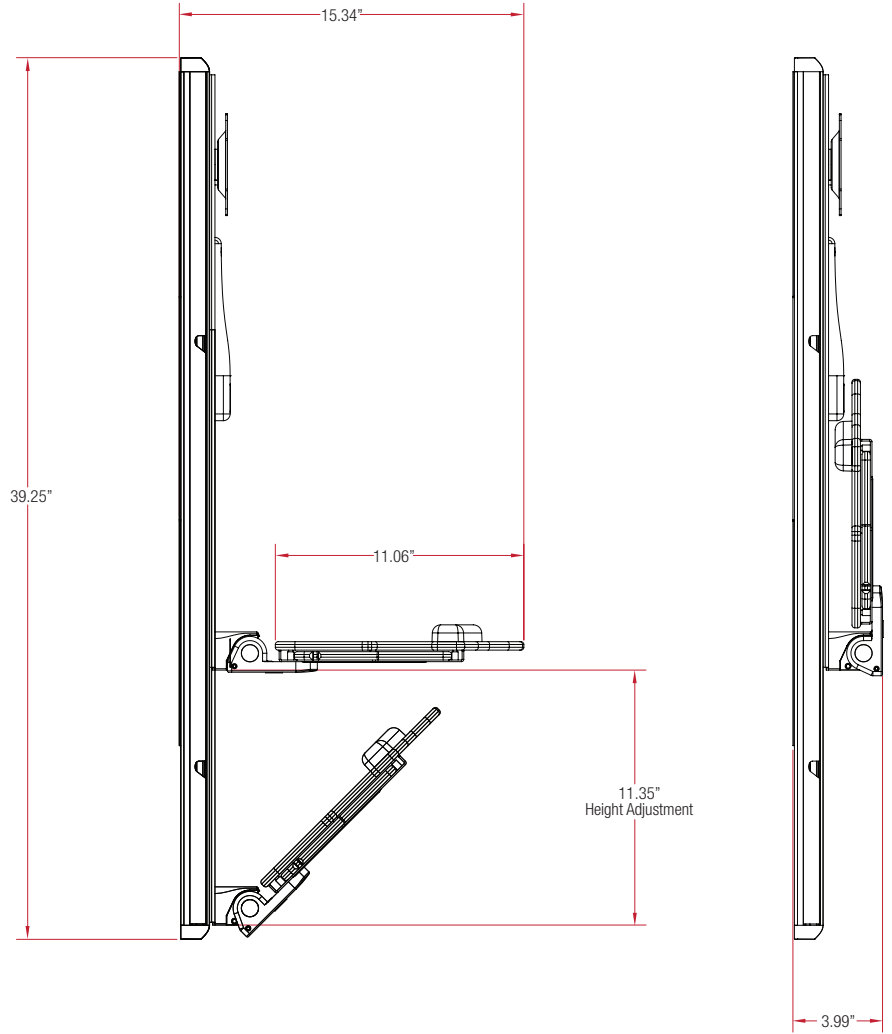
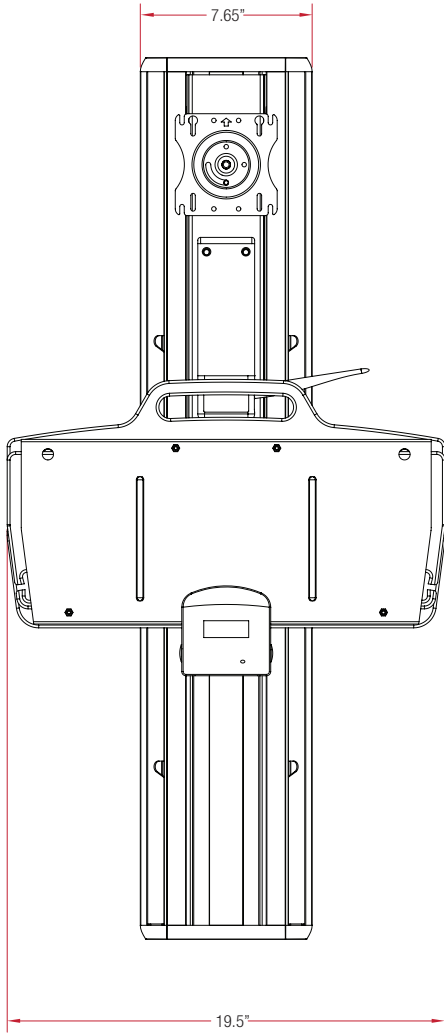
- Actuator handle, allows for effortless adjustments, optimizing workflow efficiencies while sitting or standing
- OSHPD approved, ensuring installations meet local building codes and infrastructure requirements
- Auto retracting keyboard mechanism ensures workstation remains in compact storage position when not in use

## *Installs in Minutes*

- Ships pre-assembled resulting in minimal after sale installation costs and reduced “down time” for critical care areas
- Complete mounting hardware is supplied resulting in seamless integration into multiple mounting surfaces
- Quick connect VESA adapter allows for single person integrations and portrait to landscape preferences

## *Built for Life*

- Designed for long term dependability, with varying EMR implementations and adaptations, maximizing return on investment
- Maintains high infection control standards with durable anti-microbial agents incorporated into all contact surfaces
- Manufactured of steel, aluminum and high density polyethylene materials supporting high performance long-term usage



Accessories



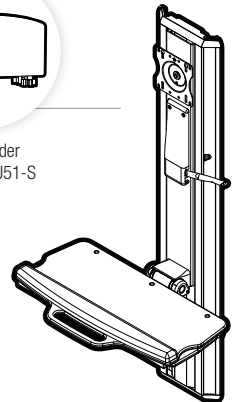
iPad® Holder  
7803M



CPU Holder  
ACCTSCPU81-S



CPU Holder  
ACCTSCPU51-S



Fusion Slim Workstation

Model	Description	Travel	OPA #	Track Length	Track Width	Weight Capacity	LCD Rotation	LCD Tilt Range	Mounting Standard
164020S38	Fusion Slim Workstation	11.35"	2937.10	39.25"	7.65"	0-20 lbs.	90°	-	VESA 75mm/100mm