

5500D17

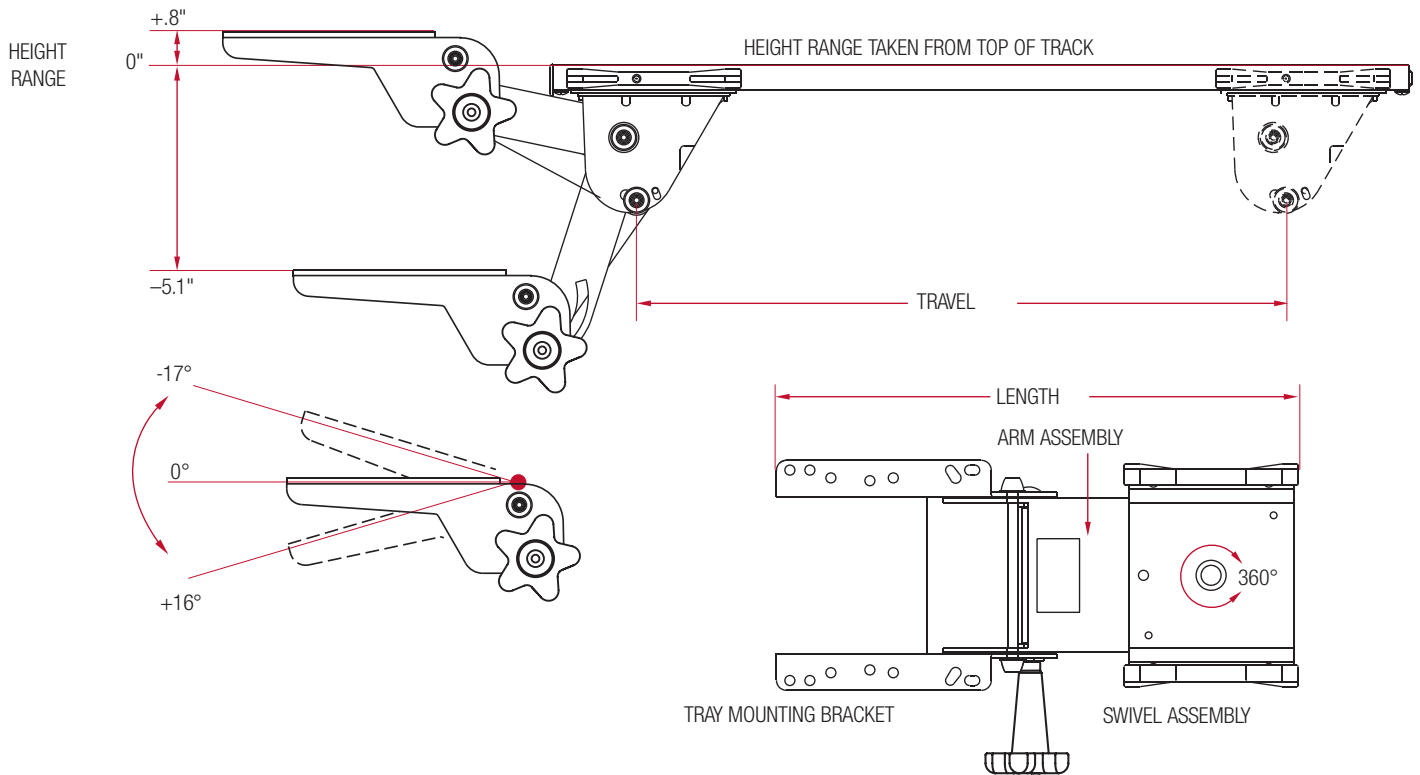
Encore Arm

Standard Length

This entry level arm provides most of the features available on our main family of arms but at an economy price point.

5500 series

Features	Benefits
Low profile design	Provides maximum leg room
Economy ergonomic keyboard solution	Cost effective price point
Star wheel adjustment knob	Simultaneous height and tilt adjustment
360° swivel	User can move freely from side to side
Meets ANSI/BIFMA standards	Quality assured manufacturing
Stores on plastic glide track	Frees up space in front of desk



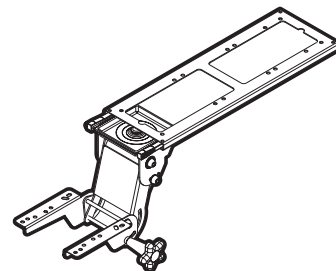
Encore Arm 5500 series

Ancillary Products:

- Encore Arm is an ideal complement to most Knap & Vogt Waterloo keyboard trays
- Use with Knap & Vogt Waterloo CPU holders
- For flat panel displays, specify the Concerto flat panel support system

Model	Height Range	Tilt	Length	Travel	Track Size	Track Style	Weight
5500D17	+.8"/-5.1"	+16°/-17°	14.5"	11.9"	17.0"	plastic glide	6.0 lbs

Notes: 1. Weight = packaged shipping weight per unit. 2. Specifications are subject to change without notice.



Finish: Black
Code Compliance: Meets ANSI/BIFMA standards



2700 Oak Industrial Dr. NE
Grand Rapids, MI 49505-6026 USA
1.800.253.1561 | 616.459.3311
Fax: 877.636.3290
www.kv.com

ergonomx.kv.com
cs.waterloo@kv.com

OL2549/0515