

Waste & Recycle

Heavy-Duty, Soft-Close, Bottom-Mount
SCB Series



SCB15-2-35WH
(with optional PDMKTPT Door Bracket Kit)



SCB10-1-35PT
(with optional QT-35-LP-PT Lid)

Soft-Close, Bottom-Mount Waste & Recycling Bins

(door-mount optional)

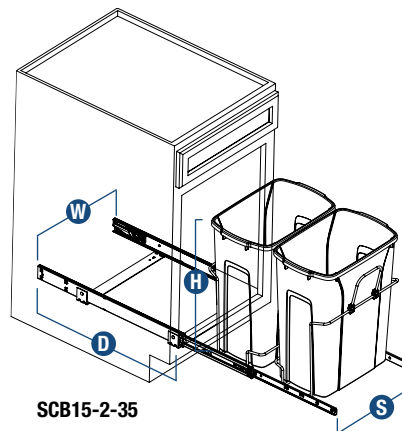
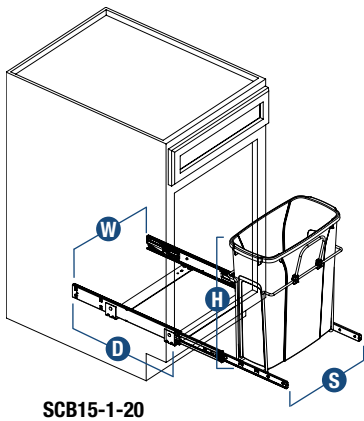
Product Features

- **Heavy-duty**, full extension ball-bearing slides with Soft-Close technology and 1" over travel
- Specialized wire management systems hold Bins and optional Lids securely in place
- Easy installation with only four screws into heavy-duty mounting straps
- Bottom-mount units provide stability and are pre-assembled, for faster installation
- KV eco-friendly Frosted Nickel finish or White
- Easy to attach handle
- Optional Door-Mount Bracket

| Stock # | Sliding Assembly Width S | Assembled Product Dimensions | | | Finish [Hardware/Bin] | Capacity per Bin | Number of Bins | Units per Carton | Weight per Carton |
|-------------------------|-----------------------------|------------------------------|--------------------|-------------------|--------------------------|---------------------|-------------------|---------------------|----------------------|
| | | W Width | H Height* | D Depth | | | | | |
| SINGLE BIN UNITS | | | | | | | | | |
| SCB9-1-20PT | 8-3/8" [213 mm] | 8-3/8" [213 mm] | 17-5/16" [440 mm] | 20-1/8" [511 mm] | Frosted Nickel/Platinum | 20 Qt. | 1 | 1 | 11.5 lbs. [5.2 kg.] |
| SCB9-1-20WH | 8-3/8" [213 mm] | 8-3/8" [213 mm] | 17-5/16" [440 mm] | 20-1/8" [511 mm] | White/White | 20 Qt. | 1 | 1 | 11.5 lbs. [5.2 kg.] |
| SCB10-1-35PT | 9-3/8" [238 mm] | 9-3/8" [238 mm] | 18-13/16" [478 mm] | 20-1/8" [511 mm] | Frosted Nickel/Platinum | 35 Qt. | 1 | 1 | 10.5 lbs. [4.8 kg.] |
| SCB10-1-35WH | 9-3/8" [238 mm] | 9-3/8" [238 mm] | 18-13/16" [478 mm] | 20-1/8" [511 mm] | White/White | 35 Qt. | 1 | 1 | 10.5 lbs. [4.8 kg.] |
| SCB12-1-50PT | 11-3/8" [289 mm] | 11-3/8" [289 mm] | 22-7/8" [581 mm] | 20-1/8" [511 mm] | Frosted Nickel/Platinum | 50 Qt. | 1 | 1 | 11.5 lbs. [5.2 kg.] |
| SCB12-1-50WH | 11-3/8" [289 mm] | 11-3/8" [289 mm] | 22-7/8" [581 mm] | 20-1/8" [511 mm] | White/White | 50 Qt. | 1 | 1 | 11.5 lbs. [5.2 kg.] |
| SCB15-1-20PT | 14-3/8" [365 mm] | 14-3/8" [365 mm] | 17-5/16" [440 mm] | 16" [406 mm] | Frosted Nickel/Platinum | 20 Qt. | 1 | 1 | 10.7 lbs. [4.9 kg.] |
| SCB15-1-20WH | 14-3/8" [365 mm] | 14-3/8" [365 mm] | 17-5/16" [440 mm] | 16" [406 mm] | White/White | 20 Qt. | 1 | 1 | 10.7 lbs. [4.9 kg.] |
| DOUBLE BIN UNITS | | | | | | | | | |
| SCB12-2-27WH | 11-3/8" [289 mm] | 11-3/8" [289 mm] | 18-3/4" [476 mm] | 22-7/16" [570 mm] | White/White | 27 Qt. | 2 | 1 | 14.0 lbs. [6.4 kg.] |
| SCB12-2-27PT | 11-3/8" [289 mm] | 11-3/8" [289 mm] | 18-3/4" [476 mm] | 22-7/16" [570 mm] | Frosted Nickel/Platinum | 27 Qt. | 2 | 1 | 14.0 lbs. [6.4 kg.] |
| SCB15-2-20PT | 14-3/8" [365 mm] | 14-3/8" [365 mm] | 17-5/16" [440 mm] | 20-1/8" [511 mm] | Frosted Nickel/Platinum | 20 Qt. | 2 | 1 | 18.1 lbs. [8.2 kg.] |
| SCB15-2-20WH | 14-3/8" [365 mm] | 14-3/8" [365 mm] | 17-5/16" [440 mm] | 20-1/8" [511 mm] | White/White | 20 Qt. | 2 | 1 | 18.1 lbs. [8.2 kg.] |
| SCB15-2-35PT | 14-3/8" [365 mm] | 14-3/8" [365 mm] | 18-13/16" [478 mm] | 23-1/8" [587 mm] | Frosted Nickel/Platinum | 35 Qt. | 2 | 1 | 19.7 lbs. [8.9 kg.] |
| SCB15-2-35WH | 14-3/8" [365 mm] | 14-3/8" [365 mm] | 18-13/16" [478 mm] | 23-1/8" [587 mm] | White/White | 35 Qt. | 2 | 1 | 19.7 lbs. [8.9 kg.] |
| TRIPLE BIN UNITS | | | | | | | | | |
| SCB15-3-20WH | 14-3/8" [365 mm] | 14-3/8" [365 mm] | 17-9/16" [446 mm] | 23-1/8" [587 mm] | White/White | 20 Qt. | 3 | 1 | 17.3 lbs. [7.8 kg.] |
| SCB15-3-20PT | 14-3/8" [365 mm] | 14-3/8" [365 mm] | 17-9/16" [446 mm] | 23-1/8" [587 mm] | Frosted Nickel/Platinum | 20 Qt. | 3 | 1 | 17.3 lbs. [7.8 kg.] |
| FOUR BIN UNITS | | | | | | | | | |
| SCB24-4-27WH | 23-3/8" [593 mm] | 23-3/8" [593 mm] | 19" [482 mm] | 22-1/2" [572 mm] | White/White | 27 Qt. | 4 | 1 | 18.8 lbs. [8.5 kg.] |
| SCB24-4-27PT | 23-3/8" [593 mm] | 23-3/8" [593 mm] | 19" [482 mm] | 22-1/2" [572 mm] | Frosted Nickel/Platinum | 27 Qt. | 4 | 1 | 18.8 lbs. [8.5 kg.] |

* If using lid, add 3/4".

30 lbs. maximum per bin, not to exceed 80 lbs. total weight. Not intended for bulk storage.



KNAP & VOGT.

2700 Oak Industrial Dr. NE
Grand Rapids, MI 49505-6026 USA
1.800.253.1561 | 616.459.3311
Fax: 877.636.3290
www.kv.com

This and other KV literature is available for download at www.kv.com > Resource Library

Knap & Vogt reserves the right to change product specifications at any time without notice and without incurring responsibility for existing units.

©2016 Knap & Vogt. KV and the KV logo are trademarks of Knap & Vogt.

OL2579/1216