



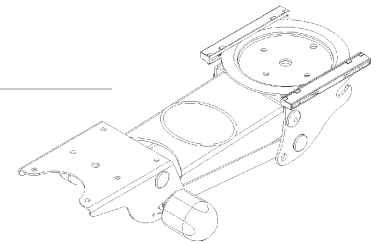
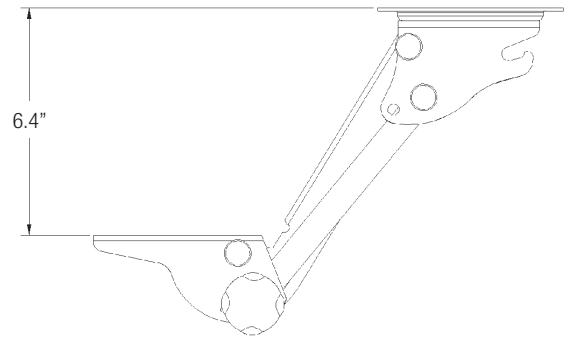
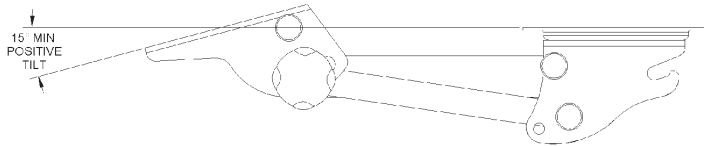
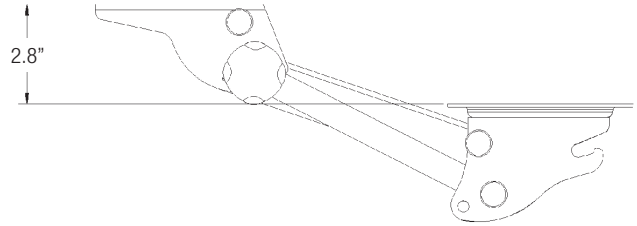
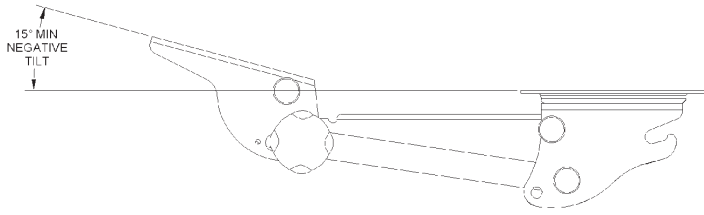
AKP35-2T21

AKP35-2T21

Entry level extended neck arm meeting the needs of the user that is looking for a corner use product, or an arm with increased height range at an economy price point.

Extended Neck Value Arm

Features	Benefits
Single soft touch knob adjusts both height and tilt	Easy to use, all-in-one adjustment
Vertical adjustment range from 2.8" above the mounting surface to 6.4" below the surface	Provides ample height adjustment for the seated worker
Extended neck length	Ideal for corner applications
360° of swivel	User can move keyboard side-to-side
30° of total tray tilt adjustment $\pm 15^\circ$	Allows for positive and negative tilt angles
Powder coated steel construction	Durable long lasting design
21" track with EZ-Glide system	Full storage with minimal effort
Spring assisted to counterbalance keyboard weight	Smooth height adjustment for precise keyboard placement



AKP35-2T21 Extended Neck Value Arm

Ancillary Products:

- Use with Knape & Vogt CPU holders
- Compatible with most Knape & Vogt keyboard trays
- For flat panel displays, use the Knape & Vogt Concerto or Xtend series of monitor supports

Model	Height Range	Tilt	Length	Travel	Track Size	Track Style
AKP35-2T18	2.8" / -6.4"	+15°/-15°	15.5"	12"	18"	Glide
AKP35-2T21	2.8" / -6.4"	+15°/-15°	15.5"	15"	21"	Glide



Finish: Black
Code Compliance: Exceeds ANSI/BIFMA standards

Notes: 1. Weight = packaged shipping weight per unit. 2. Specifications are subject to change without notice.



2700 Oak Industrial Dr. NE
Grand Rapids, MI 49505-6026 USA
1.800.253.1561 | 616.459.3311
Fax: 877.636.3290
www.kv.com

ergonomx.kv.com
cs.waterloo@kv.com

OL2617/0515