

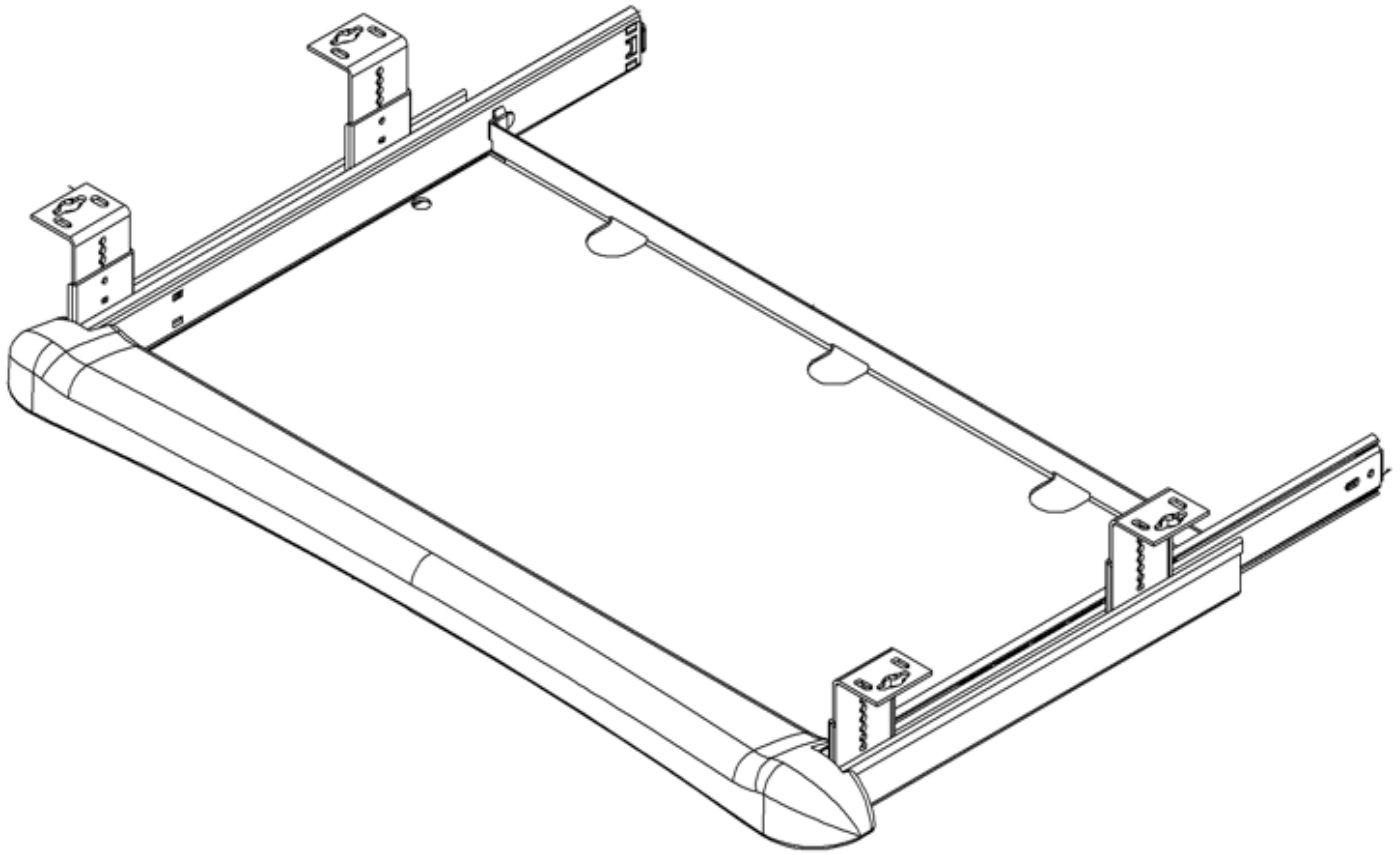


KD-100

KD-100

Basic Keyboard Drawer
with Palm Rest for Keyboard
Only Applications.

Features	Benefits
Wide steel keyboard drawer 20.0" wide x 10.0" deep	Drawer area provides ample space for most keyboard trays
Plastic palm rest	Palm rest providing typing comfort
Precision Ball Bearing Slides with detent feature	Smooth drawer opening and retraction with hold out feature
Adjustable drop height feature provided on slide brackets	Height adjustments of 2.3" to 3.6" for ergonomic placement of drawer under work surface
Mounting hardware provided	Quick and easy installation



Note: Brackets mount in outboard position under work surface for application widths 23" or greater, and in the inboard position for widths less than 20.75"

KD-100
Basic keyboard drawer system, for keyboard only applications

Ancillary Products:

- Use with Knape & Vogt CPU holders
- For flat panel displays, use the KV Concerto or Xtend series of monitor supports

Model	Keyboard Drawer Width	Keyboard Drawer Depth	Load Rating	Material	Weight
KD-100	20.0"	10.0"	75.0 lbs	Painted Steel (Black)	10.3 lbs



Finish: Black
 Code Compliance: Exceeds ANSI/BIFMA standards

Notes: 1. Weight = packaged shipping weight per unit. 2. Specifications are subject to change without notice.



2700 Oak Industrial Dr. NE
 Grand Rapids, MI 49505-6026 USA
 1.800.253.1561 | 616.459.3311
 Fax: 877.636.3290
 www.kv.com

ergonomx.kv.com
 cs.waterloo@kv.com