



KNAPE
& VOGT®



KV PF

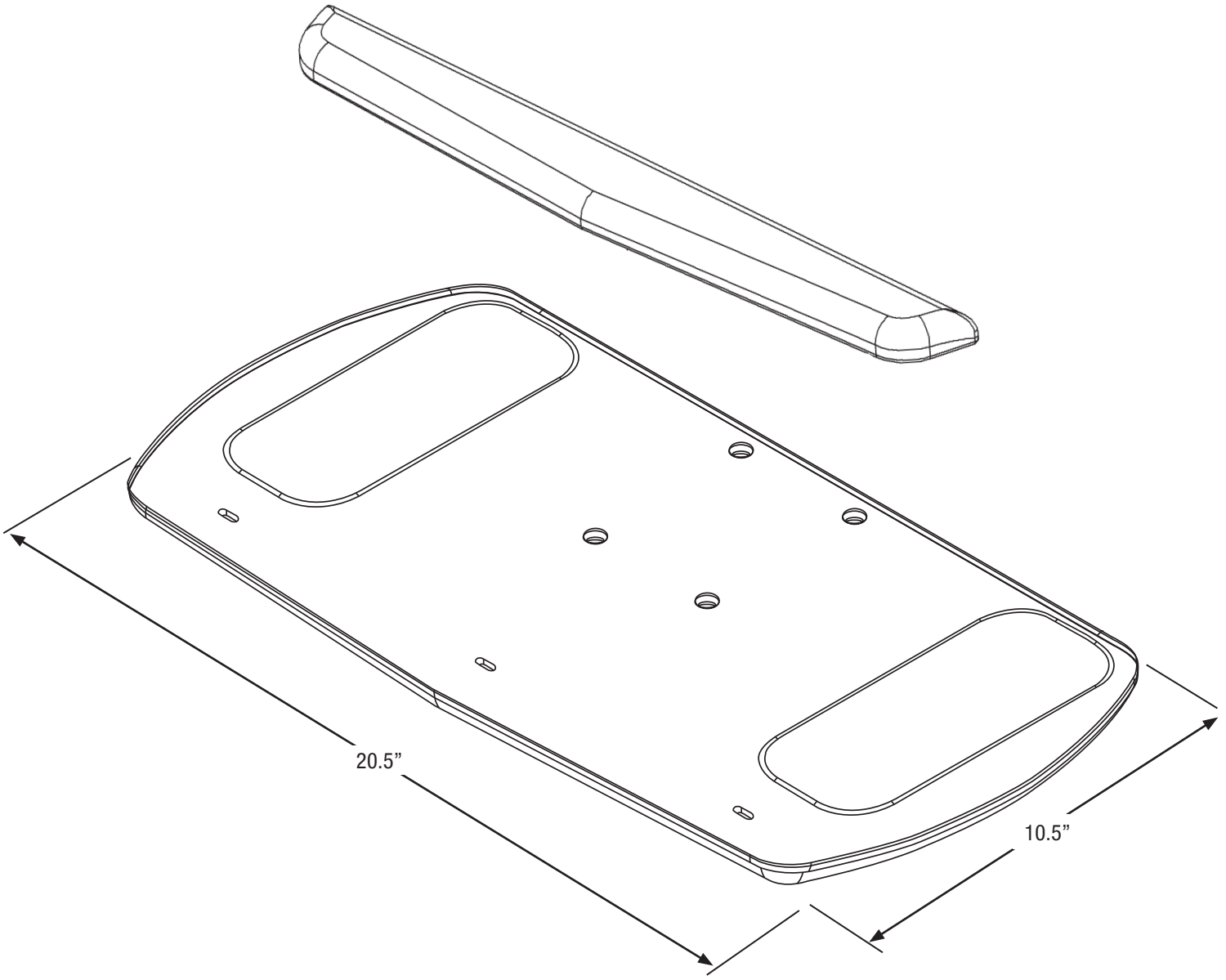
PF1824

KV PF / PF1824

Economy priced keyboard systems with or without padded palm rest, ideal for keyboard only applications

Comfort Keyboard Platform

Features	Benefits
20.5" wide x 10.5" deep x 1" thick molded keyboard platform	Supports all keyboard styles, ideal for keyboards with built in palm rests
Anti-skid strips on keyboard tray	Holds keyboard in place when typing
Molded in black plastic resin with decorative textured finish	Durable surfaces with smooth under structure allows for easy cleaning
Mounting hardware provided	Quick and easy installation on all KV articulating keyboard arms



KV PF / PF1824
Comfort Keyboard Platform

Ancillary Products:

- Use with Knape & Vogt CPU holders
- Compatible with all Knape & Vogt keyboard arms
- For flat panel displays, use the Knape & Vogt Concerto or Xtend series of monitor supports

Model	Width	Depth	Palm Rest	Tray Thickness	Underside	Material	Weight
KV PF	20.5"	10.5"	No	1.0"	Closed	Molded Black Plastic	4.1 lbs
PF1824	20.5"	10.5"	Yes	1.0"	Closed	Molded Black Plastic	5.0 lbs



Finish: Black
 Code Compliance: Exceeds ANSI/BIFMA standards

Notes: 1. Weight = packaged shipping weight per unit. 2. Specifications are subject to change without notice.



2700 Oak Industrial Dr. NE
 Grand Rapids, MI 49505-6026 USA
 1.800.253.1561 | 616.459.3311
 Fax: 877.636.3290
 www.kv.com

ergonomx.kv.com
 cs.waterloo@kv.com