

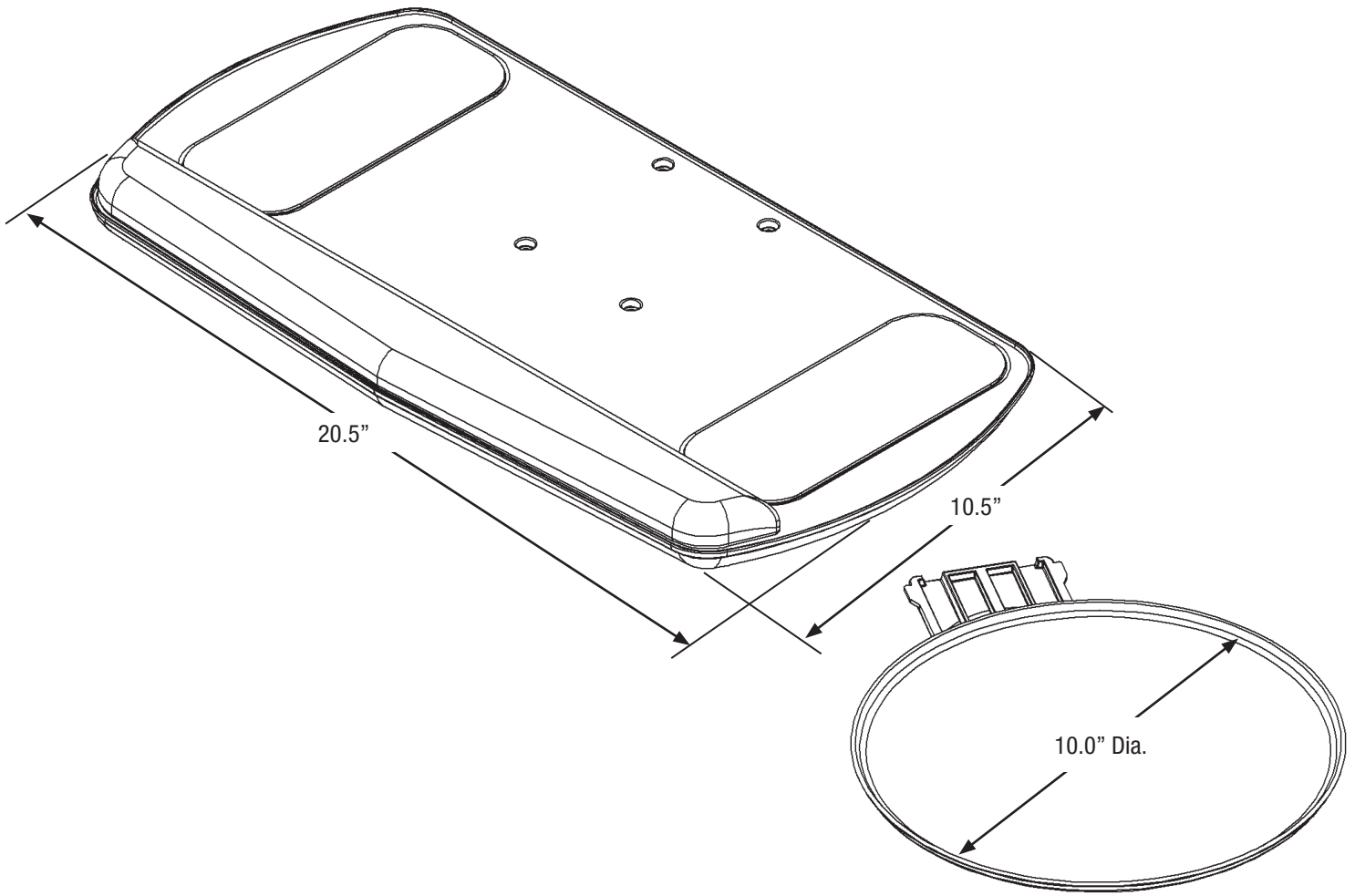


PF1824-MPS

PF1824-MPS

Comfort Keyboard & Mouse-Over
Platform with Palm Rest

Features	Benefits
20.5" wide x 10.5" deep x 1" thick molded keyboard platform	Supports all keyboard styles, ideal for keyboards with built in palm rests
Anti-skid strips on keyboard tray	Holds keyboard in place when typing
Molded in black plastic resin with decorative textured finish	Durable surfaces allows for easy cleaning of tray surfaces
Removable independent Omni-directional tilting mouse support platform	Tilting mouse platform with 360° rotation, adjusts for left and right handed users
Mouse swivels above keyboard	Provides mousing capability in limited space
Removable padded Palm Rest	Comfortable PVC free padded palm rest
Mounting hardware provided	Quick and easy installation on all KV articulating keyboard arms



PF1824-MPS

Comfort Keyboard & Mouse Over Platform with Palm Rest

Ancillary Products:

- Use with Knape & Vogt CPU holders
- Compatible with all Knape & Vogt keyboard arms
- For flat panel displays, use the Knape & Vogt Concerto or Xtend series of monitor supports

Model	Keyboard Tray Width	Keyboard Tray Depth	Tray Thickness	Mouse Surface Dia.	Material	Weight
PF1824-MPS	20.5"	10.5"	1.0"	10.0"	Molded Black Plastic	5.9 lbs



Finish: Black
Code Compliance: Exceeds ANSI/BIFMA standards

Notes: 1. Weight = packaged shipping weight per unit. 2. Specifications are subject to change without notice.



2700 Oak Industrial Dr. NE
Grand Rapids, MI 49505-6026 USA
1.800.253.1561 | 616.459.3311
Fax: 877.636.3290
www.kv.com

ergonomx.kv.com
cs.waterloo@kv.com

OL2630/0515