



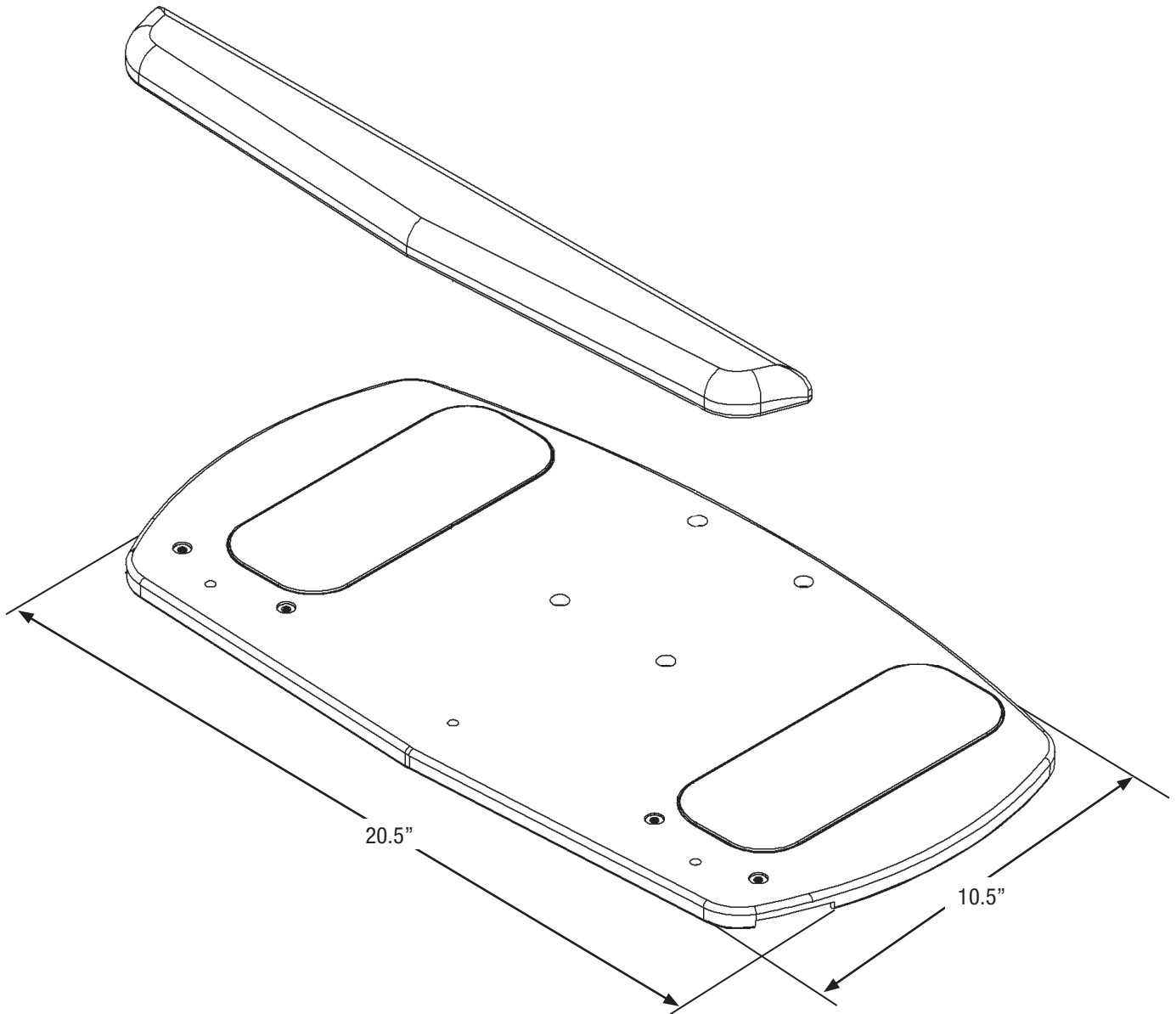
KV PZ / PZ1824

KV PZ / PZ1824

Economy priced keyboard system with or without padded palm rest, ideal for keyboard only applications.

Comfort Keyboard Platform

Features	Benefits
20.5" wide x 10.5" deep x 1" thick molded keyboard platform	Supports all keyboard styles, ideal for keyboards with built in palm rests
Anti-skid strips on keyboard tray	Holds keyboard in place when typing
Molded in black plastic resin with decorative textured finish	Durable surfaces allows for easy cleaning of tray surfaces
Removable padded Palm Rest	Comfortable PVC free padded palm rest
Mounting hardware provided	Quick and easy installation on all KV articulating keyboard arms



KV PZ / PZ1824 Comfort Keyboard Platform

Ancillary Products:

- Use with Knape & Vogt CPU holders
- Compatible with all Knape & Vogt keyboard arms
- For flat panel displays, use the Knape & Vogt Concerto or Xtend series of monitor supports

Model	Keyboard Tray Width	Keyboard Tray Depth	Palm Rest	Underside	Tray Height	Material	Weight
KV PZ	20.5"	10.5"	No	Open	1.0"	Molded Black Plastic	4.1 lbs
PZ1824	20.5"	10.5"	Yes	Open	1.0"	Molded Black Plastic	5.0 lbs

Black



Code Compliance: Exceeds ANSI/BIFMA standards

Notes: 1. Weight = packaged shipping weight per unit. 2. Specifications are subject to change without notice.



2700 Oak Industrial Dr. NE
Grand Rapids, MI 49505-6026 USA
1.800.253.1561 | 616.459.3311
Fax: 877.636.3290
www.kv.com

This and other KV literature is available for download at www.kv.com > Resource Library

Knape & Vogt reserves the right to change product specifications at any time without notice and without incurring responsibility for existing units.
©2017 Knape & Vogt. KV and the KV logo are trademarks of Knape & Vogt.

OL2631/1117