



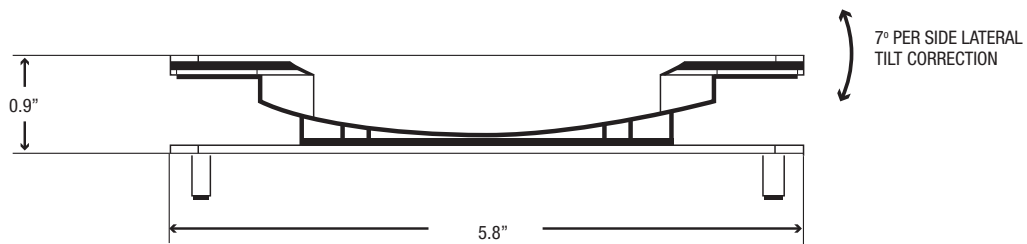
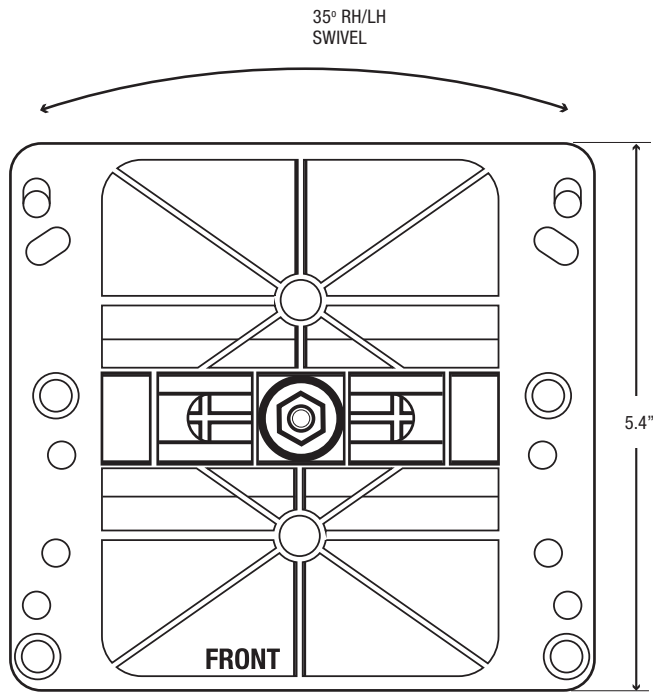
8400DS

Universal Dual Swivel Adaptor for Keyboard Trays

A versatile adaptor that provides tilt and swivel flexibility and ergonomic support for the user.

8400DS series

Features	Benefits
The adaptor will fit all Knapé & Vogt series tray heads	Very versatile
Tool-less adjustment tilt and swivel friction is factory set, which makes it easy for adjustments in the field	Very easy to install
The swivel adaptor provides 35° of swivel rotation from side to side (70° in total)	With greater rotation, the adaptor allows the user far more flexibility
The swivel adaptor provides 7° (14° in total) of lateral tilt correction and an increased height range of 0.9"	Better flexibility for the user by offering far greater ergonomic support

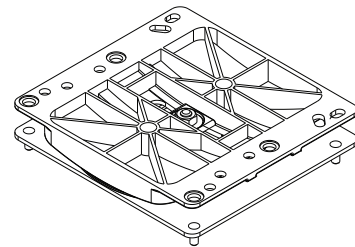


Universal Dual Swivel Adaptor

Ancillary Products:

- The dual swivel adaptor is the perfect compliment to any Knape & Vogt Keyboard support
- Use with Knape & Vogt CPU holders
- For flat panel displays, specify the Concerto flat panel support system

Model	Width	Length	Depth
8400DS	5.8"	5.4"	0.9"



Finish: Black

Notes: 1. Weight = packaged shipping weight per unit. 2. Specifications are subject to change without notice.



2700 Oak Industrial Dr. NE
 Grand Rapids, MI 49505-6026 USA
 1.800.253.1561 | 616.459.3311
 Fax: 877.636.3290
 www.kv.com

ergonomx.kv.com
 cs.waterloo@kv.com

OL2640/0415