

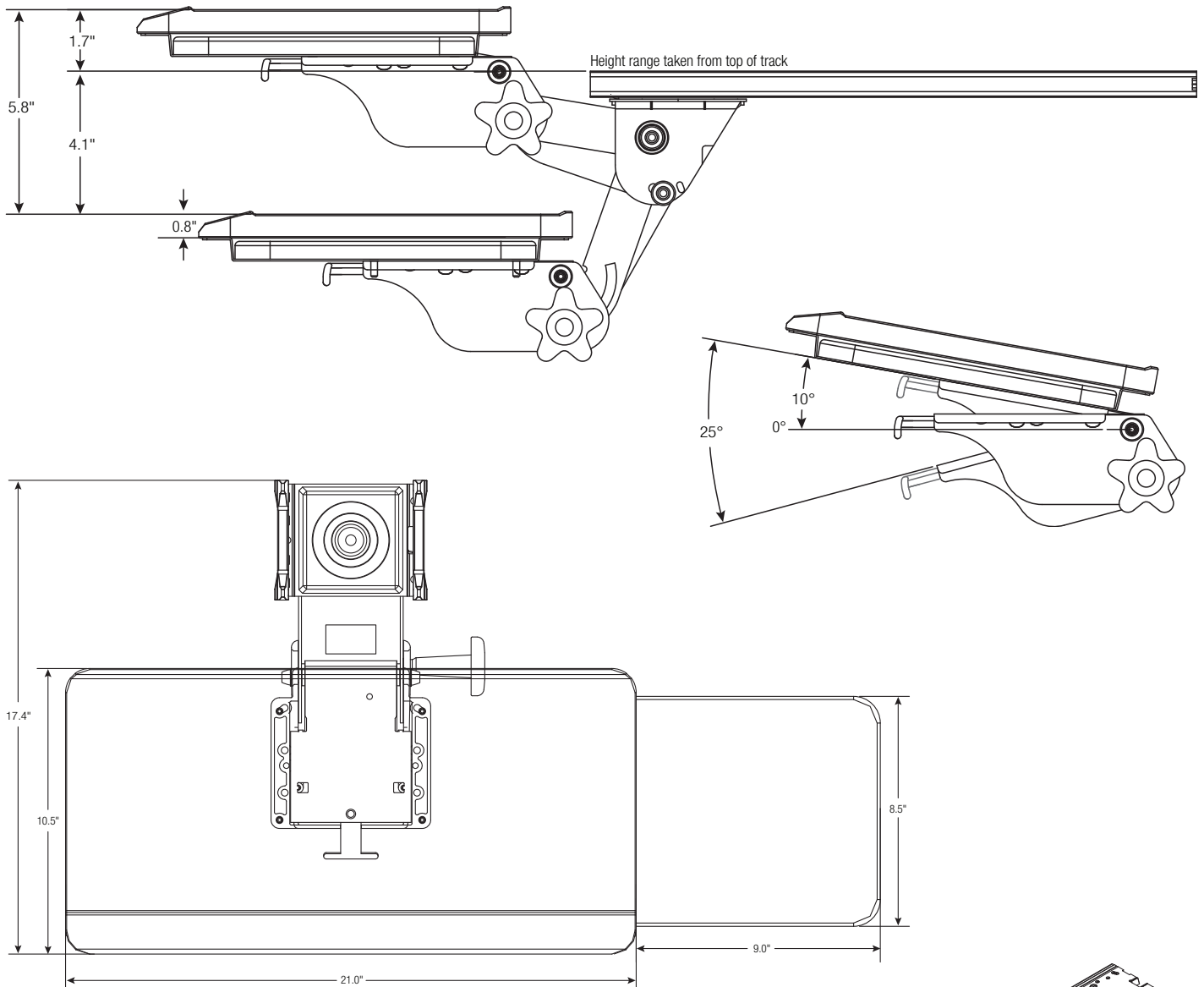


5930CA
(5930D & 6421D)

5930CA

*5930D Classic Arm with
6421D Keyboard Tray with
Slide-Through Mousing Surface*

Features	Benefits
Classic design includes star wheel locking knob and pull latch tilt release	Separate height and tilt adjustment controls provides intuitive adjustment
17" long glide storage track	Provides smooth storage under desk surface
21" W x 10.5" D rugged ABS tray assembly with built-in palm rest and anti-slip mat	Ample room for keyboard with built-in palm rest for ergonomic comfort
MDF slide-through mousing surface	Allows for storage and ambidextrous mousing
Comes with all mounting hardware for track and keyboard tray mounting	Easy assembly of product and simple attachment to desk, with basic tools
Rugged construction	Manufactured in the USA. Tested to ANSI/ BIFMA Standards.



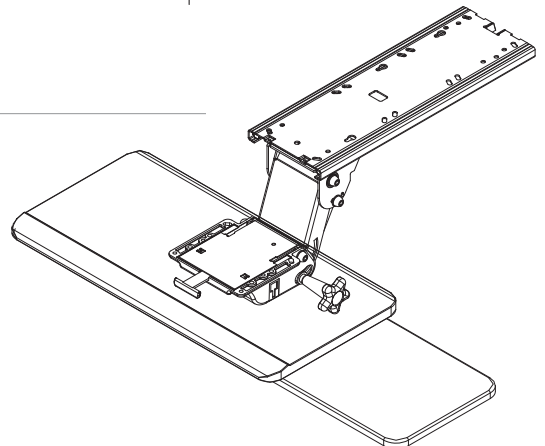
5930CA

5930D Classic Arm with 6421D Keyboard Tray with Slide-Through Mousing Surfaces

Ancillary Products:

- Use with Knap & Vogt CPU Holders
- For Flat Panel Displays use the Knap & Vogt Concerto or Xtend series of monitor supports

Model	Keyboard Tray Width	Keyboard Tray Depth	Height Above Track	Height Below Track	Track Length	Weight
5930CA	21.0"	10.5"	1.7"	4.1"	17"	16.27 lbs.



Finish: Black
Code Compliance: Exceeds ANSI/BIFMA standards

Notes: 1. Weight = packaged shipping weight per unit. 2. Specifications are subject to change without notice.



2700 Oak Industrial Dr. NE
Grand Rapids, MI 49505-6026 USA
1.800.253.1561 | 616.459.3311
Fax: 877.636.3290
www.kv.com

This and other KV literature is available for download at www.kv.com > Resource Library

Knap & Vogt reserves the right to change product specifications at any time without notice and without incurring responsibility for existing units.
©2015 Knap & Vogt. KV and the KV logo are trademarks of Knap & Vogt.