

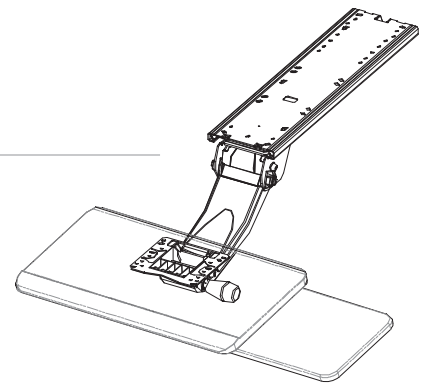
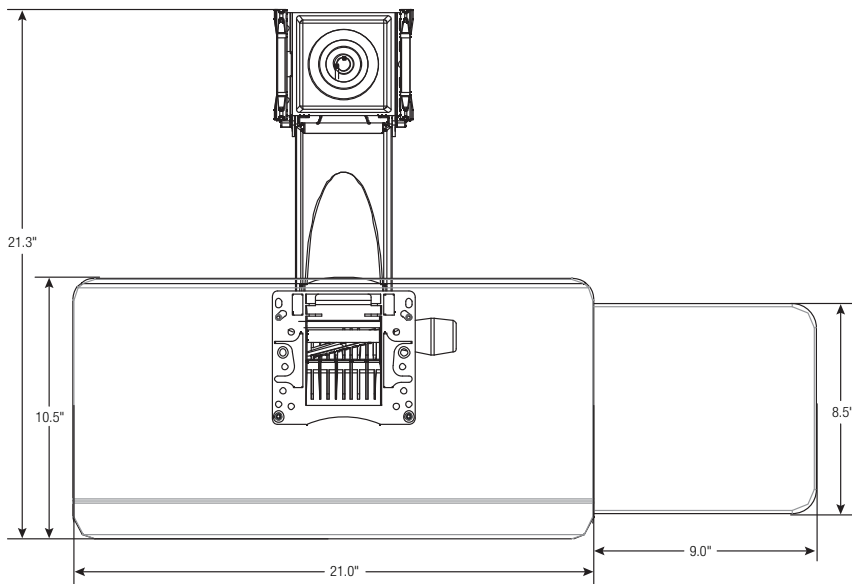
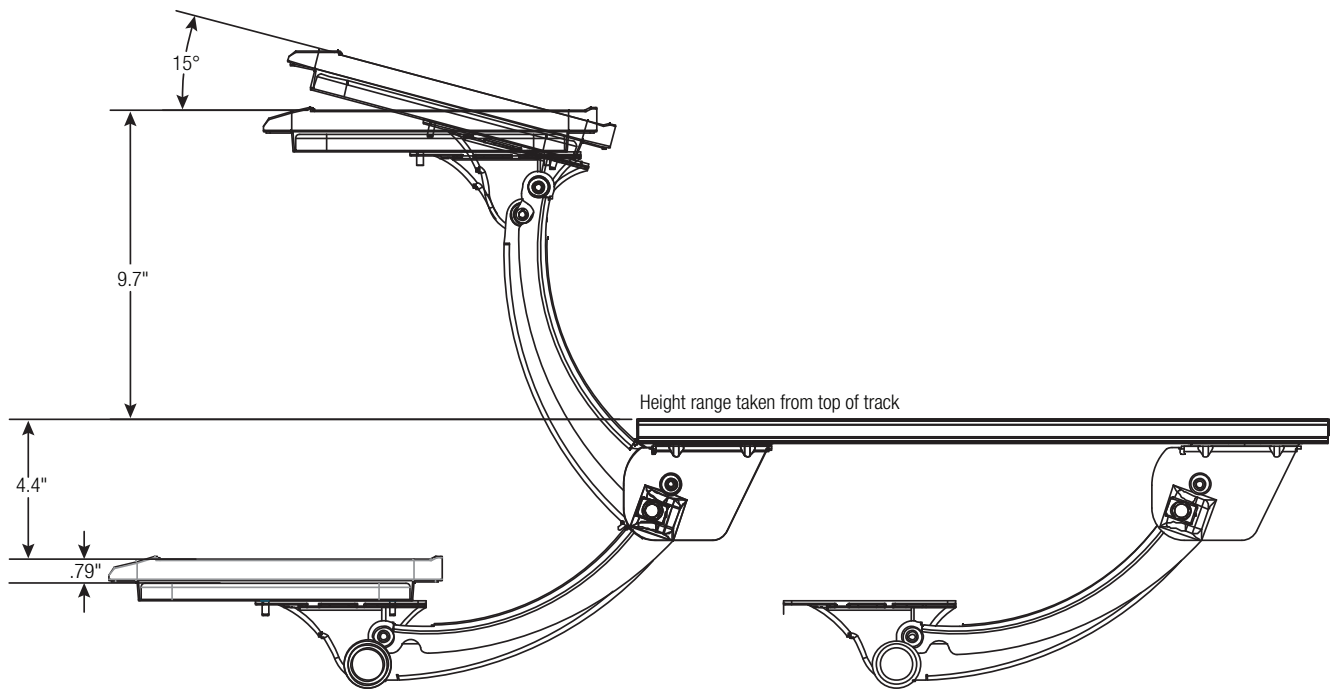


8478D2101  
(8478D21 & 6421D)

## 8478D2101

*8478D21 Sit-Stand  
Momentum Arm with  
6421D Keyboard Tray  
with Slide-Through  
Mousing Surface*

Features	Benefits
Momentum Sit-Stand arm with Lift-n-Lock™ height adjustment & soft touch knob for keyboard tray tilt adjustment	Intuitive knob-less/lever-less Lift-n-Lock™ height adjustment, with soft touch tilt adjustment knob for seated and standing use
21.75" long glide storage track	Smooth total storage under desk surface
21" W x 10.5" D rugged ABS tray assembly with built-in palm rest and anti-slip mat	Ample room for keyboard with built-in palm rest for ergonomic comfort
MDF slide-through mousing surface	Allows for storage and ambidextrous mousing
Comes with all mounting hardware for track and keyboard tray mounting	Easy assembly of product and simple attachment to desk, with basic tools
Rugged construction	Manufactured in the USA. Tested to ANSI/ BIFMA Standards



## 8478D2101

8478D21 Sit-Stand Momentum Arm with 6421D Keyboard Tray with Slide-Through Mousing Surface

### Ancillary Products:

- Use with Knape & Vogt CPU Holders
- For Flat Panel Displays use the Knape & Vogt Concerto or Xtend series of monitor supports

Model	Keyboard Tray Width	Keyboard Tray Depth	Height Above Track	Height Below Track	Track Length	Weight
8478D2101	21.0"	10.5"	9.7"	4.4"	21.75"	18.86 lbs.



Finish: Black  
Code Compliance: Exceeds ANSI/BIFMA standards

Notes: 1. Weight = packaged shipping weight per unit. 2. Specifications are subject to change without notice.



2700 Oak Industrial Dr. NE  
Grand Rapids, MI 49505-6026 USA  
1.800.253.1561 | 616.459.3311  
Fax: 877.636.3290  
www.kv.com

This and other KV literature is available for download at [www.kv.com](http://www.kv.com) > Resource Library

Knape & Vogt reserves the right to change product specifications at any time without notice and without incurring responsibility for existing units.  
©2015 Knape & Vogt. KV and the KV logo are trademarks of Knape & Vogt.