



8480Y2179



8480Y2180

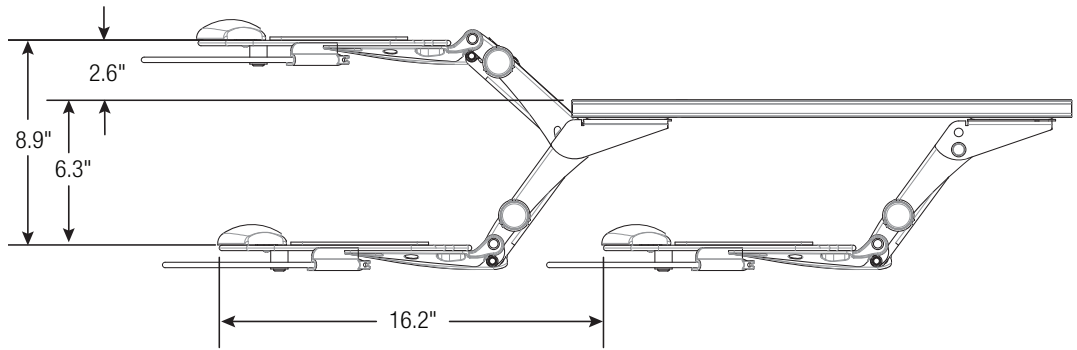
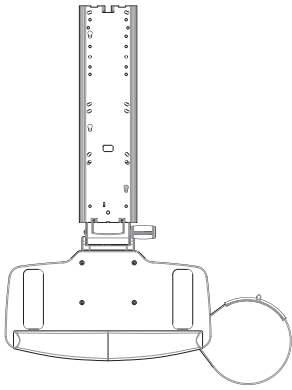


White Legato Arm with White Phenolic Keyboard trays

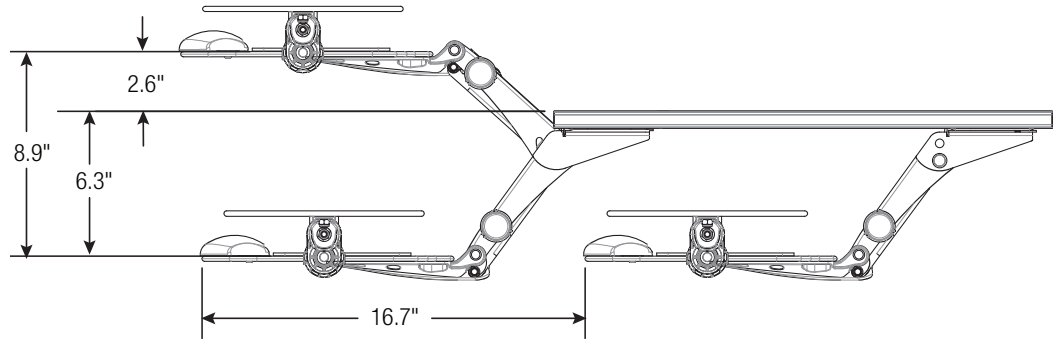
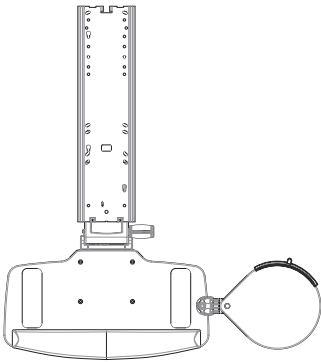
The white Legato arm and tray combination is designed to provide a fresh look to the product offering. The attractive white finish provides contemporary styling to complement the decor in today's modern office environments.

Features	Benefits
The Legato arm comes with Lift-n-Lock™ height adjustment and dial tilt soft touch knob for tray adjustment	Intuitive knob-less/lever-less Lift-n-Lock™ for easy height adjustment with soft touch tilt knob to adjust for a personal fit
Height adjustable of 8.88" with 2.63" above the mounting surface and 6.25" below	Exceeds HFES & BIFMA standards and guidelines for 5th to 95th percentile seated users
21.75" long glide track	Provides effortless arm retraction and frees up desk space when the keyboard is not required
Anti-skid strips on keyboard tray	Strips prevent keyboard slippage
White phenolic keyboard tray measuring 11.0" deep x 20.7" wide	1/4" thick tray provides optimal under desk clearance with an attractive modern styling with ample room for keyboard and mouse
Plug-in gel-feel foam palm rest	Offers gentle support, easy-to-clean wrinkle finish and wear resistant material. Fully recyclable.
Comes with all mounting hardware for arm and tray installation	Easy assembly of arm to tray and simple attachment to desk using basic tools
Available with swivel only mouse surface or height adjustable mouse mechanism	Accommodates right- or left -hand mousing

8480Y2179



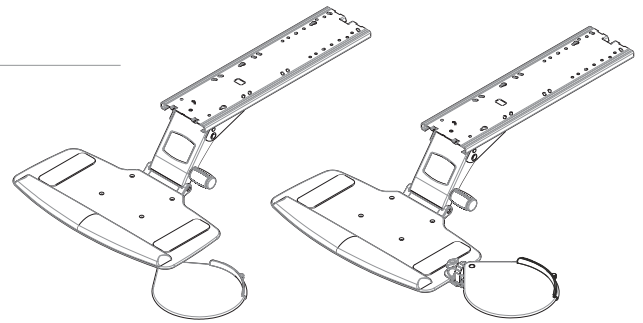
8480Y2180



White Legato Arm with White Phenolic Trays

Ancillary Products:

- Use with Knape & Vogt Waterloo CPU Holders
- For flat panel displays, specify the Concerto flat panel support system



Model	Height Range from Mounting Surface	Tilt	Tray Depth & Width	Mouse Tray	Mounting	Color
8480Y2179	2.63" to - 6.25"	+10° to -20°	11.0" x 20.7"	Swivel only	21" Glide Track	White
8480Y2180	2.63" to - 6.25"	+10° to -20°	11.0" x 20.7"	Height adjustable with swivel	21" Glide Track	White

Notes: 1. Weight = packaged shipping weight per unit. 2. Specifications are subject to change without notice.



2700 Oak Industrial Dr. NE
Grand Rapids, MI 49505-6026 USA
1.800.253.1561 | 616.459.3311
Fax: 877.636.3290
www.kv.com

This and other KV literature is available for download at www.kv.com > Resource Library

Knape & Vogt reserves the right to change product specifications at any time without notice and without incurring responsibility for existing units.
©2015 Knape & Vogt. KV and the KV logo are trademarks of Knape & Vogt.

OL2851/1215