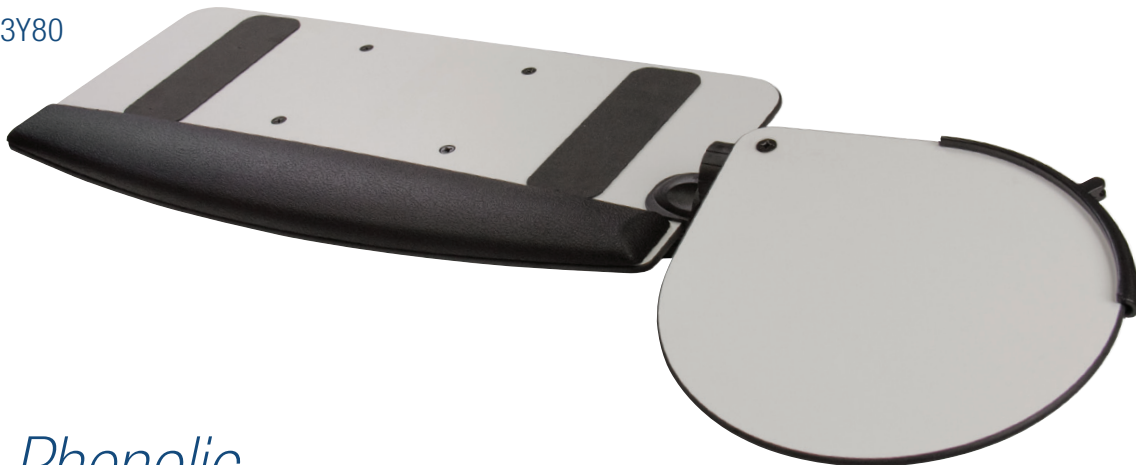


6733Y79



6733Y80



White Phenolic

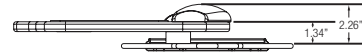
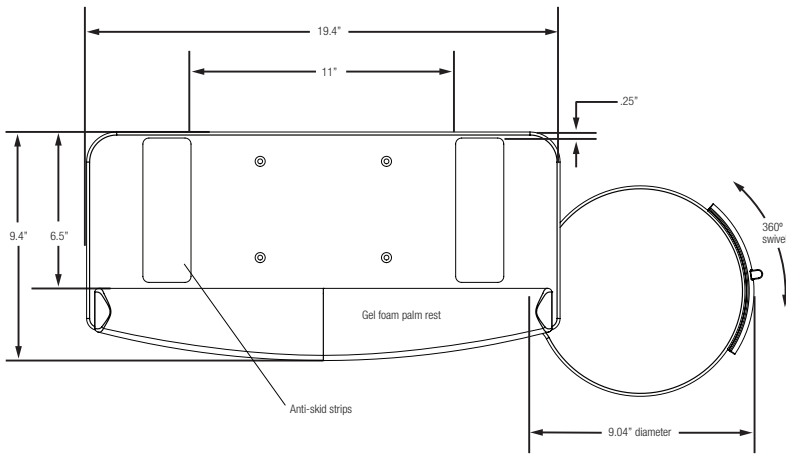
Mini Keyboard Tray

This small profile tray was developed to improve storability and ergonomic comfort. Its trimmed down design makes it perfect for height adjustable tables and benching systems where space is at a premium.

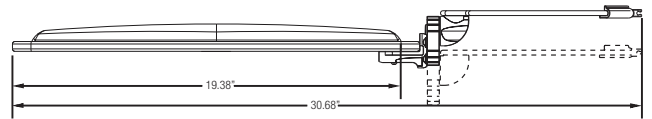
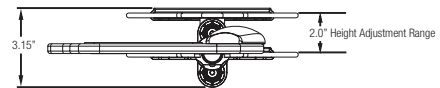
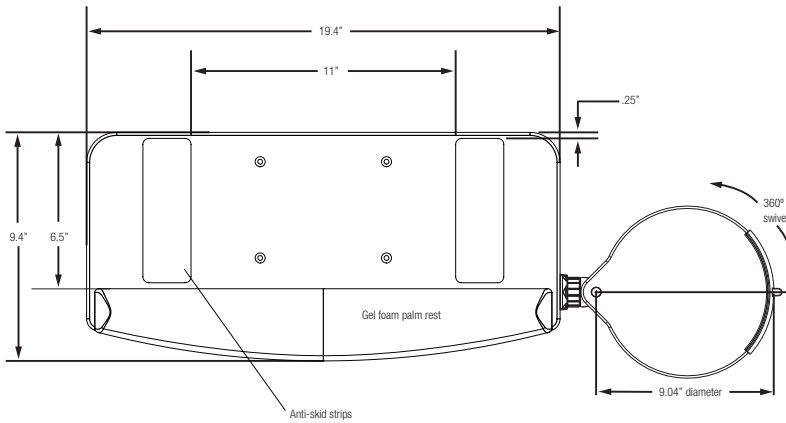
6733 series

Features	Benefits
Made from 1/4" thick phenolic with white finish	Sturdy design durable decorative finish
Compact 19.4" x 9.4" profile	Allows for storability on shorter track and lets the user sit closer to the workstation
Anti-skid strips on keyboard tray	Strips prevent keyboard slippage
Universal mounting pattern	Attaches to Knappe & Vogt Waterloo Keyboard arms
Plug-in gel-feel foam palm rest	Offers gentle support, easy-to-clean wrinkle finish and wear resistant material. Fully recyclable.
Comes with snap-on mouse fence	Prevents mouse from sliding off when tray is tilted
Available with swivel only mouse surface or height adjustable mouse mechanism	Accommodates right- or left -hand mousing

6733Y79



6733Y80



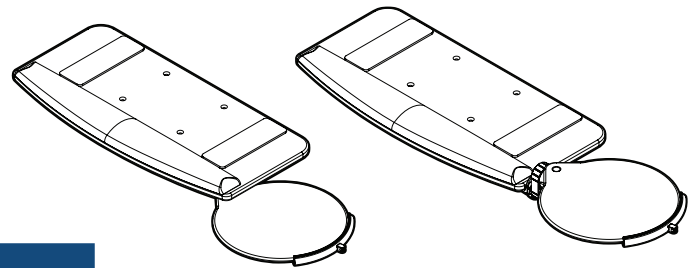
White Phenolic Mini Keyboard Tray

6733 series

Ancillary Products:

- Ideal complement for Legato and Tenor arms
- Use with Knap & Vogt Waterloo CPU Holders
- For flat panel displays, specify the Concerto flat panel support system

Model	Keyboard Drawer Width	Keyboard Tray Depth	Material	Mouse Tray	Palm Rest
6733Y79	19.4"	9.4"	1/4" White Phenolic	Swivel only	Included
6733Y80	19.4"	9.4"	1/4" White Phenolic	Height adjustable with swivel	Included



Notes: 1. Weight = packaged shipping weight per unit. 2. Specifications are subject to change without notice.



2700 Oak Industrial Dr. NE
Grand Rapids, MI 49505-6026 USA
1.800.253.1561 | 616.459.3311
Fax: 877.636.3290
www.kv.com

This and other KV literature is available for download at www.kv.com > Resource Library

Knap & Vogt reserves the right to change product specifications at any time without notice and without incurring responsibility for existing units.
©2015 Knap & Vogt. KV and the KV logo are trademarks of Knap & Vogt.

0L2857/1215