

Double I-Beam Door Hardware

BYP-103 & BYP-153 Series | BYP-102 & BYP-152 Series



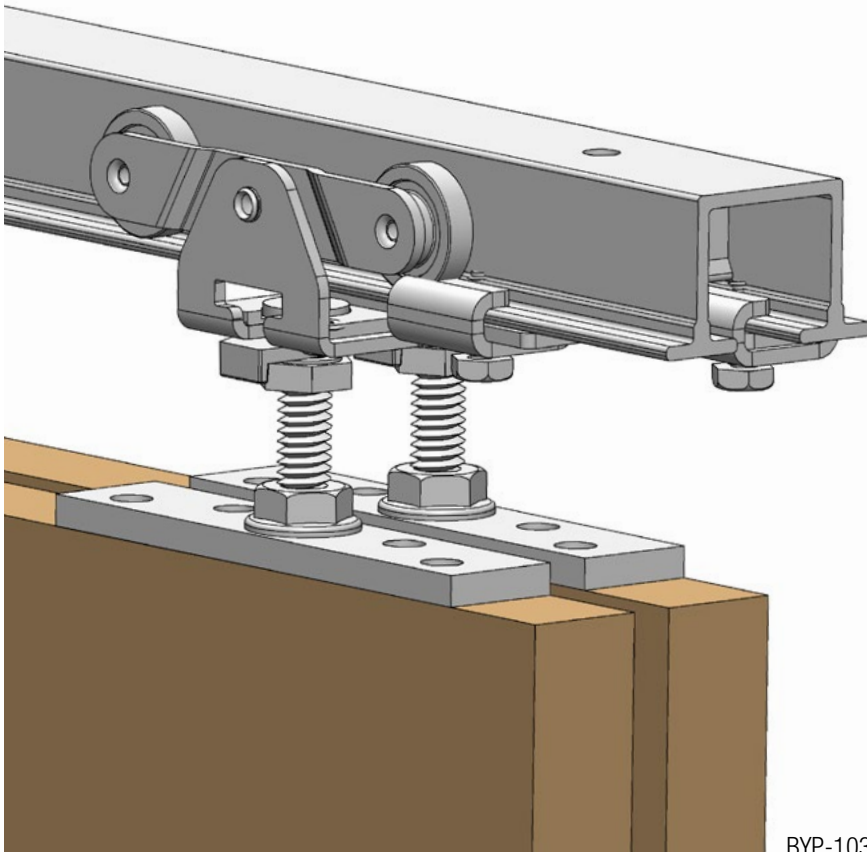
BYP-103 & BYP-153 Series

Double I-Beam Door Hardware

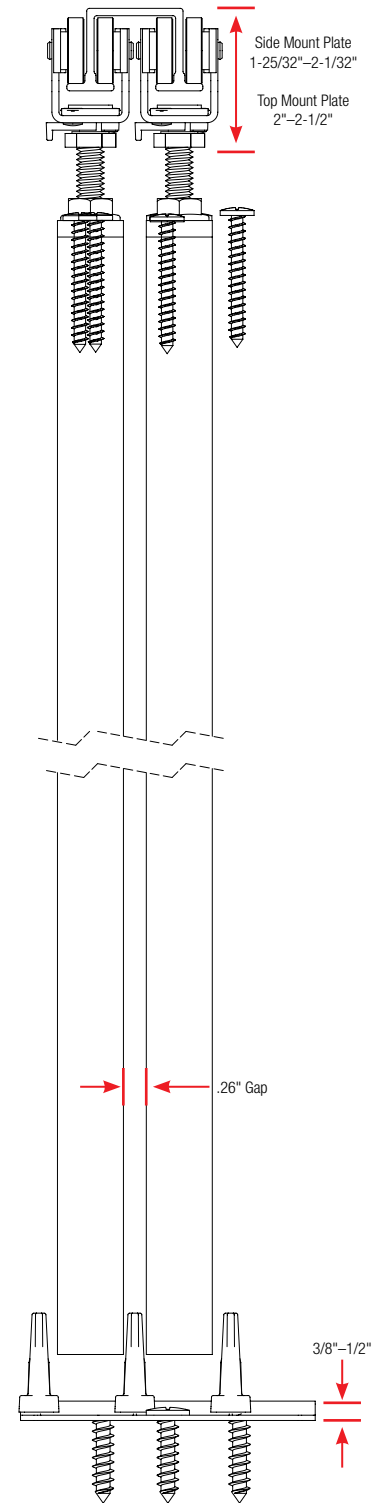
Product Features

Designed for use with medium-duty commercial or residential-grade, two-panel, by-pass sliding doors, this hardware features an aluminum extruded double I-beam track for smooth and sturdy door movement. Choose the standard carrier for doors up to 100 lbs. or the ball-bearing carrier for heavier doors up to 150 lbs. A "quick release" feature provides installation ease. Top and side mount hardware options are available; it's perfect for by-pass door applications such as room dividers/partitions, closets and cabinets, or sliding white boards.

- Door thickness: 1-3/8" and 1-3/4"
- Load rating: Standard Carrier: Up to 100 lbs. per panel
Ball-Bearing Carrier: Up to 150 lbs. per panel
- Track finish: 1903 Aluminum Double I-Beam
- Mounting: Side and Top Mount
- Compares to: Grant: 72-138, 72-134 and 72-223
- Conforms to: ANSI/BHMA A156.14-2007
Grade 1, D7831, D8741, D8742



BYP-103SM



Ordering Instructions

Order in Complete Package Sets below or order from the Tracks and Part Bags chart on page 4. Individual Components are listed on page 5.

Complete Package Sets

Order a top mount or side mount Complete Package Set with a track length based on the width of your doorway. Each set contains the track in the length noted, mounting hardware and installation instructions.

Complete Package Sets

Side Mount: 100 lbs. • 1-3/8" and 1-3/4" Door Thickness					
SKU	Description	BYP-103SM-2D4	BYP-103SM-2D5	BYP-103SM-2D6	BYP-103SM-2D8
Pack Quantity		5	5	5	5
1903	Track, aluminum double carrier	48"	60"	72"	96"
1934	Apron, side mount, 3/4" and 1-1/8" door thickness	4	4	4	4
1938	Apron, side mount, 1-3/8" and 1-3/4" door thickness	4	4	4	4
1944-QR	Carrier, steel with nylon, 4-wheel quick release, up to 100 lbs.	4	4	4	4
0908	Floor guide, steel with nylon, screws included, 1-3/8" and 1-3/4" door thickness	1	1	1	1
1920	Door stop, steel, track mounted with 4 rubber bumpers per track	4	4	4	4
Side Mount: 150 lbs. • 1-3/8" and 1-3/4" Door Thickness					
SKU	Description	BYP-153SM-2D4	BYP-153SM-2D5	BYP-153SM-2D6	B153SM-2D8
Pack Quantity		5	5	5	5
1903	Track, aluminum double carrier	48"	60"	72"	96"
1934	Apron, side mount, 3/4" and 1-1/8" door thickness	4	4	4	4
1938	Apron, side mount, 1-3/8" and 1-3/4" door thickness	4	4	4	4
1944-QRBB	Carrier, steel with nylon, 4-wheel ball-bearing quick release, up to 150 lbs.	4	4	4	4
0908	Floor guide, steel with nylon, screws included, 1-3/8" and 1-3/4" door thickness	1	1	1	1
1920	Door stop, steel, track mounted with 4 rubber bumpers per track	4	4	4	4
Top Mount: 100 lbs. • 1-3/8" and 1-3/4" Door Thickness					
SKU	Description	BYP-103TM-2D4	BYP-103TM-2D5	BYP-103TM-2D6	BYP-103TM-2D8
Pack Quantity		5	5	5	5
1903	Track, aluminum double carrier	48"	60"	72"	96"
1933	Top mounting plate, includes bolt and adjustable 1/2" screw	4	4	4	4
1944-QR	Carrier, steel with nylon, 4-wheel quick release, up to 100 lbs.	4	4	4	4
0908	Floor guide, steel with nylon, screws included, 1-3/8" and 1-3/4" door thickness	1	1	1	1
1920	Door stop, steel, track mounted with 4 rubber bumpers per track	4	4	4	4
Top Mount: 150 lbs. • 1-3/8" and 1-3/4" Door Thickness					
SKU	Description	BYP-153TM-2D4	BYP-153TM-2D5	BYP-153TM-2D6	BYP-153TM-2D8
Pack Quantity		5	5	5	5
1903	Track, aluminum double carrier	48"	60"	72"	96"
1933	Top mounting plate, includes bolt and adjustable 1/2" screw	4	4	4	4
1944-QRBB	Carrier, steel with nylon, 4-wheel ball-bearing quick release, up to 150 lbs.	4	4	4	4
0908	Floor guide, steel with nylon, screws included, 1-3/8" and 1-3/4" door thickness	1	1	1	1
1920	Door stop, steel, track mounted with 4 rubber bumpers per track	4	4	4	4

BYP-103 & BYP-153 Series

Tracks and Parts Bags

Choose your track length based on the width of your doorway. (Most tracks can be cut-to-size in the field.) Then choose the correct part bag based on the number of panel doors in your project. Installation instructions are included in each bag.

MOQ = Minimum Order Quantity
PB = Part Bag

Tracks

SKU	Description	MOQ	Carton Qty.
1903-48	48" Aluminum double carrier track	1	5
1903-60	60" Aluminum double carrier track	1	5
1903-72	72" Aluminum double carrier track	1	5
1903-96	96" Aluminum double carrier track	1	5
1903-120*	120" Aluminum double carrier track	1	5
1903-144*	144" Aluminum double carrier track	1	5
1903-192*	192" Aluminum double carrier track	1	5



Screws not included. Recommend #8 Pan-Head Screws.
Tracks 8' and under are notched at one end for easy access.
*Special shipping and handling fees apply to carton quantities of 1-5 pieces.

Part Bags

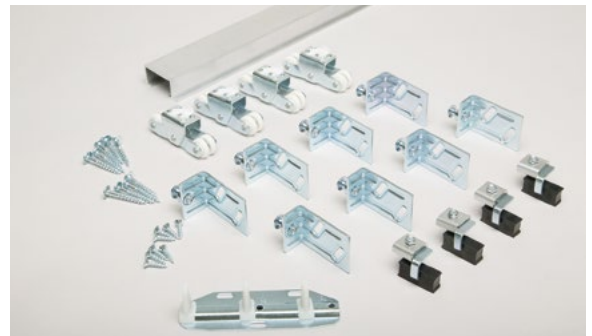
Hardware Contents				
Side Mount: 1-3/8" and 1-3/4" Door Thickness				
SKU	Description	Qty PB-SM	Qty PB-100-WD	Qty PB-150-WD
MOQ & Pack Quantity		10	10	10
1944-QR	Carrier, steel with nylon, 4-wheel quick release, up to 100 lbs.	–	4	–
1944-QRBB	Carrier, steel with nylon, 4-wheel ball-bearing quick release, up to 150 lbs.	–	–	4
1938	Apron, side mount, 1-3/8" and 1-3/4" door thickness	4	–	–
1934	Apron, side mount, 3/4" and 1-1/8" door thickness	4	–	–
1933	Top mounting plate, includes bolt and adjustable 1/2" screw	–	–	–
0908	Floor guide, steel with nylon, screws included, 1-3/8" and 1-3/4" door thickness	–	1	1
1920	Door stop, steel, track mounted with 4 rubber bumpers per track	–	4	4
Screws		Yes	Yes	Yes

The PB-SM includes both apron sizes for two door thickness applications.

Example of items to order for top mount applications:

- 1) Track: Specify track size and length. Example: (1) SKU 1903-48, 48" length.
- 2) Carrier: Specify based on weight of 100 lb. door. Example: (1) SKU 1944-QR.
- 3) Top Mounting Plate: based on weight of 100 lb. door. Example: (4) SKU 1933.

DOOR MOUNTING HARDWARE				
1903 Track	Door Thickness	Top Mounting Plates	Side Mounting Plates	
			Front Door	Back Door
Wide	1-3/8"	1933	1938	1938
	1-3/4"	1933	1934	1938



BYP-103SM

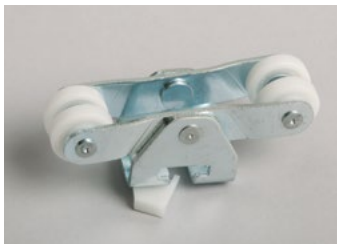
Components

Bulk components for accessory options or replacement parts are available.

MOQ = Minimum Order Quantity
 BK = Bulk

Components

SKU	Description	MOQ & Pack Qty
BK-1944-QR	Carrier, steel with nylon, 4-wheel quick release, up to 100 lbs.	50
BK-1944-QRBB	Carrier, steel with nylon, 4-wheel ball-bearing quick release, up to 150 lbs.	50
BK-1938	Apron, side mount, 1-3/8" and 1-3/4" door thickness	50
BK-1934	Apron, side mount, 3/4" and 1-1/8" door thickness	50
BK-1933	Top mounting plate, includes bolt and adjustable 1/2" screw	50
BK-0908	Floor guide, steel with nylon, screws included, 1-3/8" and 1-3/4" door thickness	25
BK-1920	Door stop, steel, track mounted with 4 rubber bumpers per track	100



1944-QR – Carrier
 For doors up to 100 lbs.



1944-QRBB – Carrier
 For doors up to 150 lbs.



1938 – Apron



1934 – Apron



1933 – Top Mounting Plate



0908 – Floor Guide



1920 – Door Stop

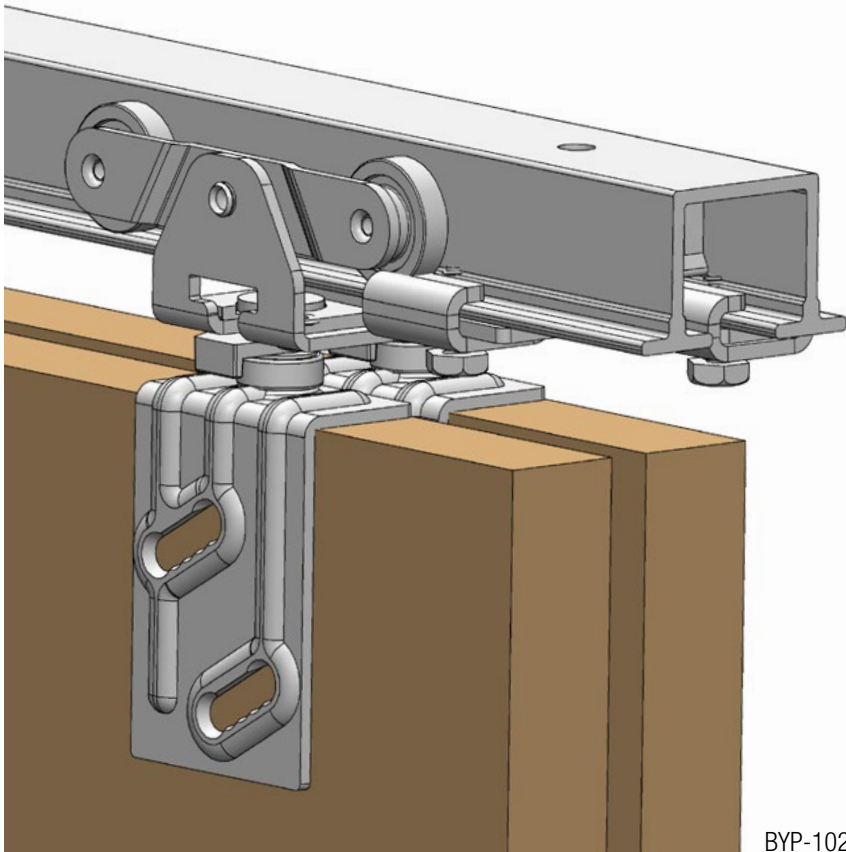
BYP-102 & BYP-152 Series

Double I-Beam Door Hardware

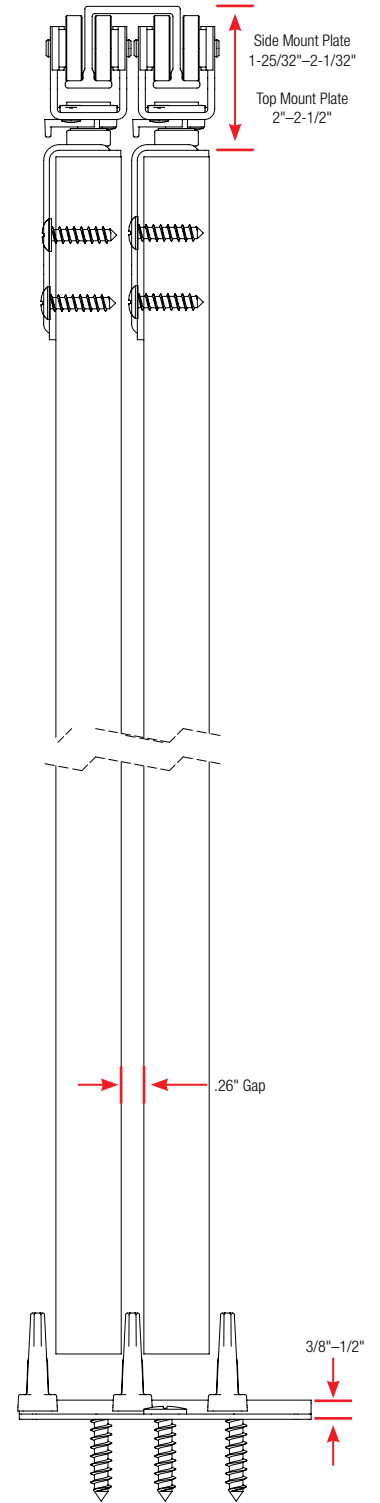
Product Features

Designed for use with commercial or residential markets, two-panel, by-pass sliding doors, this hardware features an aluminum extruded double I-beam track for smooth and sturdy door movement. Choose the standard carrier for doors up to 100 lbs. or the ball-bearing carrier for heavier doors up to 150 lbs. A "quick release" feature provides installation ease. Top and side mount hardware options are available; it's perfect for by-pass door applications such as room dividers/partitions, closets and cabinets, or sliding white boards.

- Door thickness: 3/4" and 1-1/8"
- Load rating: Standard Carrier: Up to 100 lbs. per panel
Ball-Bearing Carrier: Up to 150 lbs. per panel
- Track finish: 1902 Aluminum Double I-Beam
- Mounting: Side and Top Mount
- Compares to: Grant: 72-034, 72-118 and 72-222
- Conforms to: ANSI/BHMA A156.14-2007
Grade 1, D7831, D8741, D8742



BYP-102SM



Ordering Instructions

Order in Complete Package Sets below or order from the Tracks and Part Bags chart on page 8. Individual Components are listed on page 9.

Complete Package Sets

Order a top mount or side mount Complete Package Set with a track length based on the width of your doorway. Each set contains the track in the length noted, mounting hardware and installation instructions.

Complete Package Sets

Side Mount: 100 lbs. • 3/4" and 1-1/8" Door Thickness					
SKU	Description	BYP-102SM-2D4	BYP-102SM-2D5	BYP-102SM-2D6	BYP-102SM-2D8
Pack Quantity		5	5	5	5
1902	Track, aluminum double carrier	48"	60"	72"	96"
1934	Apron, side mount, 3/4" and 1-1/8" door thickness	4	4	4	4
1938	Apron, side mount, 1-3/8" and 1-3/4" door thickness	4	4	4	4
1944-QR	Carrier, steel with nylon, 4-wheel quick release, up to 100 lbs.	4	4	4	4
0905	Floor guide, steel with nylon, screws included, 3/4" and 1-1/8" door thickness	1	1	1	1
1920	Door stop, steel, track mounted with 4 rubber bumpers per track	4	4	4	4
Side Mount: 150 lbs. • 3/4" and 1-1/8" Door Thickness					
SKU	Description	BYP-152SM-2D4	BYP-152SM-2D5	BYP-152SM-2D6	B152SM-2D8
Pack Quantity		5	5	5	5
1902	Track, aluminum double carrier	48"	60"	72"	96"
1934	Apron, side mount, 3/4" and 1-1/8" door thickness	4	4	4	4
1938	Apron, side mount, 1-3/8" and 1-3/4" door thickness	4	4	4	4
1944-QRBB	Carrier, steel with nylon, 4-wheel ball-bearing quick release, up to 150 lbs.	4	4	4	4
0905	Floor guide, steel with nylon, screws included, 3/4" and 1-1/8" door thickness	1	1	1	1
1920	Door stop, steel, track mounted with 4 rubber bumpers per track	4	4	4	4
Top Mount: 100 lbs. • 3/4" and 1-1/8" Door Thickness					
SKU	Description	BYP-102TM-2D4	BYP-102TM-2D5	BYP-102TM-2D6	BYP-102TM-2D8
Pack Quantity		5	5	5	5
1902	Track, aluminum double carrier	48"	60"	72"	96"
1933	Top mounting plate, includes bolt and adjustable 1/2" screw	4	4	4	4
1944-QR	Carrier, steel with nylon, 4-wheel quick release, up to 100 lbs.	4	4	4	4
0905	Floor guide, steel with nylon, screws included, 3/4" and 1-1/8" door thickness	1	1	1	1
1920	Door stop, steel, track mounted with 4 rubber bumpers per track	4	4	4	4
Top Mount: 150 lbs. • 3/4" and 1-1/8" Door Thickness					
SKU	Description	BYP-152TM-2D4	BYP-152TM-2D5	BYP-152TM-2D6	BYP-152TM-2D8
Pack Quantity		5	5	5	5
1902	Track, aluminum double carrier	48"	60"	72"	96"
1933	Top mounting plate, includes bolt and adjustable 1/2" screw	4	4	4	4
1944-QRBB	Carrier, steel with nylon, 4-wheel ball-bearing quick release, up to 150 lbs.	4	4	4	4
0905	Floor guide, steel with nylon, screws included, 3/4" and 1-1/8" door thickness	1	1	1	1
1920	Door stop, steel, track mounted with 4 rubber bumpers per track	4	4	4	4

BYP-102 and BYP-152 Series

Tracks and Parts Bags

Choose your track length based on the width of your doorway. (Most tracks can be cut-to-size in the field.) Then choose the correct part bag based on the number of panel doors in your project. Installation instructions are included in each bag.

MOQ = Minimum Order Quantity
PB = Part Bag

Tracks

SKU	Description	MOQ	Carton Qty.
1902-48	48" Aluminum double carrier track	1	5
1902-60	60" Aluminum double carrier track	1	5
1902-72	72" Aluminum double carrier track	1	5
1902-96	96" Aluminum double carrier track	1	5
1902-120*	120" Aluminum double carrier track	1	5
1902-144*	144" Aluminum double carrier track	1	5
1902-192*	192" Aluminum double carrier track	1	5

Screws not included. Recommend #8 Pan-Head Screws.

Tracks 8' and under are notched at one end for easy access.

*Special shipping and handling fees apply to carton quantities of 1-5 pieces.



Part Bags

Hardware Contents				
Side Mount: 3/4" and 1-1/8" Door Thickness				
SKU	Description	Qty PB-SM	Qty PB-100-WD	Qty PB-150-WD
MOQ & Pack Quantity		10	10	10
1944-QR	Carrier, steel with nylon, 4-wheel quick release, up to 100 lbs.	–	4	–
1944-QRBB	Carrier, steel with nylon, 4-wheel ball-bearing quick release, up to 150 lbs.	–	–	4
1938	Apron, side mount, 1-3/8" and 1-3/4" door thickness	4	–	–
1934	Apron, side mount, 3/4" and 1-1/8" door thickness	4	–	–
1933	Top mounting plate, includes bolt and adjustable 1/2" screw	–	–	–
0905	Floor guide, steel with nylon, screws included, 3/4" and 1-1/8" door thickness	–	1	1
1920	Door stop, steel, track mounted with 4 rubber bumpers per track	–	4	4
Screws		Yes	Yes	Yes

The PB-SM includes both apron sizes for two door thickness applications.

Example of items to order for top mount applications:

- 1) Track: Specify track size and length. Example: (1) SKU 1902-48, 48" length.
- 2) Carrier: Specify based on weight of 100 lb. door. Example: (1) SKU 1944-QR.
- 3) Top Mounting Plate: based on weight of 100 lb. door. Example: (4) SKU 1933.

DOOR MOUNTING HARDWARE				
1902 Track	Door Thickness	Top Mounting Plates	Side Mounting Plates	
			Front Door	Back Door
Narrow	3/4"	1933	1934	1934
	1-1/8"	1933	1934	1938



BYP-102SM

Components

Bulk components for accessory options or replacement parts are available.

MOQ = Minimum Order Quantity
BK = Bulk

Components

SKU	Description	MOQ & Pack Qty
BK-1944-QR	Carrier, steel with nylon, 4-wheel quick release, up to 100 lbs.	50
BK-1944-QRBB	Carrier, steel with nylon, 4-wheel ball-bearing quick release, up to 150 lbs.	50
BK-1938	Apron, side mount, 1-3/8" and 1-3/4" door thickness	50
BK-1934	Apron, side mount, 3/4" and 1-1/8" door thickness	50
BK-1933	Top mounting plate, includes bolt and adjustable 1/2" screw	50
BK-0905	Floor guide, steel with nylon, screws included, 3/4" and 1-1/8" door thickness	25
BK-1920	Door stop, steel, track mounted with 4 rubber bumpers per track	100



1944-QR – Carrier
For doors up to 100 lbs.



1944-QRBB – Carrier
For doors up to 150 lbs.



1938 – Apron



1934 – Apron



1933 – Top Mounting Plate



0905 – Floor Guide



1920 – Door Stop

Knappe and Vogt Limited Warranty

Limited Lifetime Warranty for Commercial Business Products

15 Year Limited Warranty for Ergonomics Products

This warranty is given to the initial purchaser of new commercial and ergonomic products purchased from Knappe & Vogt Manufacturing Company and its subsidiaries. The warranty covers defects in materials and workmanship. The warranty does not apply to defects resulting from misuse, damage or abuse, normal wear and tear, accident, modification, improper installation or maintenance, third party materials or damage during shipping. The warranty is not transferable and does not cover any subsequent purchasers of the products.

Definitions of the specific warranty time periods by product can be obtained from Customer Service at 1.800.253.1561. The warranty time period begins on the date of purchase for all products. Applicable warranty time periods are based on one 8-hour shift per day usage, and warranty time periods are adjusted and shortened proportionally for any multiple shift or excess usage.

During the warranty period, Knappe & Vogt, will, at its option, repair or replace any defective product with a comparable product or component. This limited warranty is for repair or replacement of defective products only and does not cover any other costs such as removal, installation, or other related expenses.

For warranty service, please contact Knappe & Vogt Manufacturing Company, 2700 Oak Industrial Drive, Grand Rapids, MI 49505, Attention: Customer Service. Information regarding the claimed defect and date of purchase of the product must be provided. Any defective product must be returned postage or freight prepaid to Knappe & Vogt.

THIS LIMITED WARRANTY CONSTITUTES THE ONLY WARRANTY FOR THE PRODUCTS AND ALL OTHER WARRANTIES OR REPRESENTATIONS, EXPRESS OR IMPLIED, BY OPERATION OF LAW OR OTHERWISE, INCLUDING BUT NOT LIMITED TO ANY IMPLIED WARRANTY OF MERCHANTABILITY OR FITNESS FOR A PARTICULAR PURPOSE, ARE EXPRESSLY DISCLAIMED. (Some states do not allow limitations on how long an implied warranty lasts.)

THIS LIMITED WARRANTY CONSTITUTES THE SOLE REMEDY AVAILABLE WITH REGARD TO ANY DEFECTIVE PRODUCTS. KNAPE & VOGT SHALL NOT BE LIABLE FOR ANY INCIDENTAL, INDIRECT, CONSEQUENTIAL OR SPECIAL DAMAGES, INCLUDING WITHOUT LIMITATION, LOSS OF TIME, INCONVENIENCE, OR LOST REVENUES OR PROFITS. (Some states do not allow the exclusion or limitation of incidental or consequential damages.)

Copyright ©2016 Knappe & Vogt Manufacturing Company, all rights reserved.
Standard KV Commercial Warranty

Return Policy

Return Policy for special order or nonstock items:

We're sorry, we cannot accept returns on nonstock products or special order products unless there is a Knappe & Vogt error—which we will be happy to correct. To return product(s), please follow these procedures:

Please contact Knappe & Vogt Customer Service at 1.800.253.1561. A Customer Service Representative will assist you with getting a Return Goods Authorization (RGA) number. The original P.O. is required to receive a RGA number. Please return product within 30 days of issuance of the RGA number.

Restocking Fees:

- All resalable product returned in original resalable packaging will be assessed a 20% fee for restocking and handling.
- Minimum fee is \$25.
- All resalable products not returned in resalable original packaging will be assessed a 20% fee for repackaging in addition to the 20% restocking and handling fee.
- Above referenced fees will be waived on returns resulting from a Knappe & Vogt error.

Shipping:

You are responsible for all return shipping charges unless we made an error in shipping your order, i.e., the product we shipped is not the one you ordered, or is defective.

In the U.S., please ship to:

Knappe & Vogt, Attn: Return Goods Department, 2700 Oak Industrial Dr., N.E., Grand Rapids, MI 49505

In Canada, please ship to:

Knappe and Vogt/ Vanguard, Attn: Return Goods Department, 265 Export Blvd, Mississauga, ON L5S 1Y4

- Ensure the product(s) are properly packaged to prevent shipping damage.
- Include RGA number with return.
- Ensure all products returned match quantities and products listed on the assigned RGA.

Credit:

- A credit memo will be issued upon inspection and approval of the returned product.
- Upon receipt and inspection Knappe & Vogt will determine credit amount and notify you of any discrepancies.
- DO NOT make any financial adjustments to your account prior to Knappe and Vogt issuing a credit memo for returned goods.
- Please allow a minimum of 14 days for us to receive and process your return.
- We will credit or refund the value of the product total and any taxes you were charged less applicable fees (excluding delivery charges).
- Refunds will be given in the same form of payment. Adjustments to credit cards should appear within two billing cycles.

Replacement Orders:

- Any replacement orders will be charged to your account.
- A credit memo will be issued for returned products that have been approved.

RGA Status Information:

- Visit www.customercareconnection.com.
- Enter your account information.
- If you do not already have your account set up for this free service, please register at www.customercareconnection.com.
- Your satisfaction is our priority. We are happy to accept returns or exchanges for any resalable or defective products within 60 days of the shipping date.



KNAP & VOGT.

2700 Oak Industrial Dr. NE
Grand Rapids, MI 49505-6026 USA
1.800.253.1561 | 616.459.3311
Fax: 877.636.3290
www.kv.com

This and other KV literature is available for download at www.kv.com > Resource Library

Knap & Vogt reserves the right to change product specifications at any time without notice and without incurring responsibility for existing units.
©2016 Knap & Vogt. KV and the KV logo are trademarks of Knap & Vogt.

OL2863/0116