

KV GSlide Drawer Slides

Precision, cost-conscious performance



GS4200
Full Extension
100-lb. Class



GS4205
Over Travel
90-lb. Class



GS4260
Push-to-Open
100-lb. Class



GS4270
Soft-Close
100-lb. Class



GS2070
Soft-Close Undermount
75-lb. Class



GS4200 Full Extension Drawer Slide

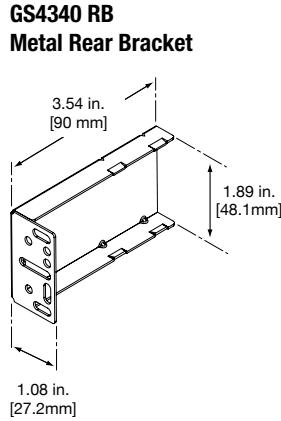
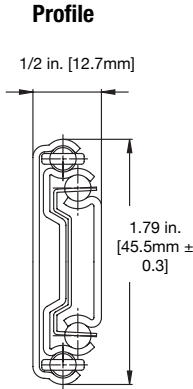


Features

- 100-Pound Class
- Full Extension
- 1/2 in. [12.7mm + .8mm minus 0] Side Clearance
- Hold-in Detent
- Non-Handed Design
- 32mm Hole Pattern
- Lever Disconnect

Packaging

- 10 pair per carton
- Instructions included
- Mounting hardware not included



Number GS4200 Full Extension Drawer Slide
Mounting Side
Action Telescopic Movement on Ball Bearings
Load Rating 100-Pound Class
Height 1.79 in. [45.5mm]
Clearance 1/2 in. [12.7mm + .8mm minus 0]
Finish Zinc

4200 Zinc Finish	
Part #	Length
GS4200 10	250mm
GS4200 12	300mm
GS4200 14	350mm
GS4200 16	400mm
GS4200 18	450mm
GS4200 20	500mm
GS4200 22	550mm
GS4200 24	600mm
GS4200 26	650mm
GS4200 28	700mm

Recommended Fasteners	Part #	Finish	Qty.
# 7 x 1/2" Phillips Panhead	8500-93	Zinc	1,000
Accessories	Part #	Finish	Qty.
Rear Bracket	GS4340 RB	Zinc	200

GS4205 Over Travel Drawer Slide

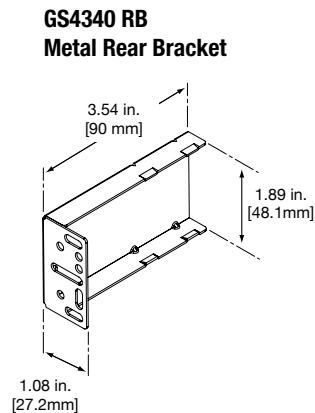
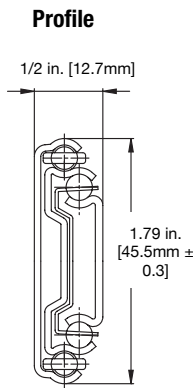


Features

- 90-Pound Class
- 1" Over Travel
- 1/2 in. [12.7mm + .8mm minus 0] Side Clearance
- Hold-in Detent
- Non-Handed Design
- 32mm Hole Pattern
- Lever Disconnect

Packaging

- 10 pair per carton
- Instructions included
- Mounting hardware not included



Number GS4205 Over Travel Drawer Slide
Mounting Side
Action Telescopic Movement on Ball Bearings
Load Rating 90-Pound Class
Height 1.79 in. [45.5mm]
Clearance 1/2 in. [12.7mm + .8mm minus 0]
Finish Zinc

4205 Zinc Finish	
Part #	Length
GS4205 10	250mm
GS4205 12	300mm
GS4205 14	350mm
GS4205 16	400mm
GS4205 18	450mm
GS4205 20	500mm
GS4205 22	550mm
GS4205 24	600mm
GS4205 26	650mm
GS4205 28	700mm

Recommended Fasteners	Part #	Finish	Qty.
# 7 x 1/2" Phillips Panhead	8500-93	Zinc	1,000
Accessories	Part #	Finish	Qty.
Rear Bracket	GS4340 RB	Zinc	200

GS4260 Push-to-Open Drawer Slide

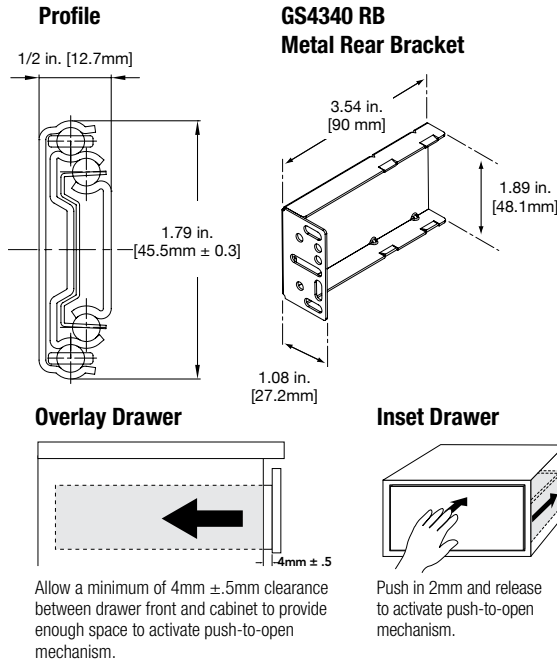


Features

- Push-to-Open
- 100-Pound Class
- Full Extension
- 1/2 in. [12.7mm + .8mm minus 0] Side Clearance
- Non-Handed Design
- 32mm Hole Pattern
- Lever Disconnect

Packaging

- 10 pair per carton
- Instructions included
- Mounting hardware not included



Number	GS4260 Push-to-Open Drawer Slide
Mounting	Side
Action	Telescopic Movement on Ball Bearings
Load Rating	100-Pound Class
Height	1.79 in. [45.5mm]
Clearance	1/2 in. [12.7mm + .8mm minus 0]
Finish	Zinc

4260 Zinc Finish	
Part #	Length
GS4260 10	250mm
GS4260 12	300mm
GS4260 14	350mm
GS4260 16	400mm
GS4260 18	450mm
GS4260 20	500mm
GS4260 22	550mm
GS4260 24	600mm
GS4260 26	650mm
GS4260 28	700mm

Recommended Fasteners	Part #	Finish	Qty.
# 7 x 1/2" Phillips Panhead	8500-93	Zinc	1,000
Accessories	Part #	Finish	Qty.
Rear Bracket	GS4340 RB	Zinc	200

GS4270 Soft-Close Drawer Slide

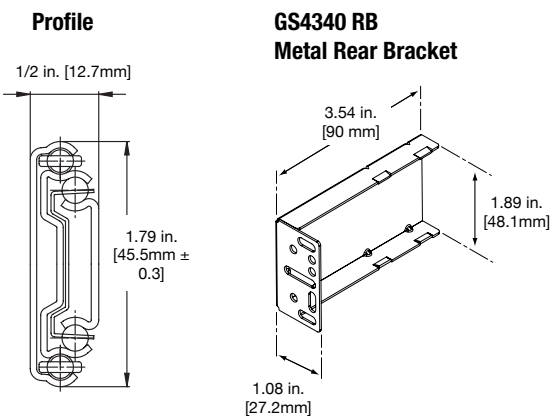


Features

- Soft-Close
- 100-Pound Class
- Full Extension
- 1/2 in. [12.7mm + .8mm minus 0] Side Clearance
- Non-Handed Design
- 32mm Hole Pattern
- Lever Disconnect

Packaging

- 10 pair per carton
- Instructions included
- Mounting hardware not included



Number	GS4270 Soft-Close Drawer Slide
Mounting	Side
Action	Telescopic Movement on Ball Bearings
Load Rating	100-Pound Class
Height	1.79 in. [45.5mm]
Clearance	1/2 in. [12.7mm + .8mm minus 0]
Finish	Zinc

4270 Zinc Finish	
Part #	Length
GS4270 12	300mm
GS4270 14	350mm
GS4270 16	400mm
GS4270 18	450mm
GS4270 20	500mm
GS4270 22	550mm
GS4270 24	600mm
GS4270 26	650mm
GS4270 28	700mm

Recommended Fasteners	Part #	Finish	Qty.
# 7 x 1/2" Phillips Panhead	8500-93	Zinc	1,000
Accessories	Part #	Finish	Qty.
Rear Bracket	GS4340 RB	Zinc	200



GS2070 Soft-Close Undermount Drawer Slide



Number	GS2070 Soft-Close Undermount Drawer Slide
Mounting	Undermount
Action	Telescopic Movement on Roller Bearings
Load Rating	75-Pound Class
Height	1.80 in. [45.7mm]
Finish	Zinc

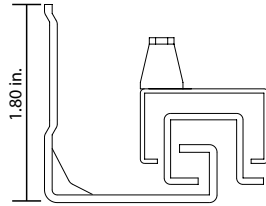
Features

- 75-Pound Class
- Full Extension
- 1/2" to 5/8" Drawer Material
- Handed Design
- 32mm Hole Pattern
- Lever Release

Packaging

- 6 pair per carton
- Instructions included
- Mounting hardware not included

Profile



Slide Part #	Nominal Length	Carton Quantity
KVGS-2070AB 12	12" [305mm]	6 pair
KVGS-2070AB 15	15" [381mm]	6 pair
KVGS-2070AB 18	18" [457mm]	6 pair
KVGS-2070AB 21	21" [533mm]	6 pair

Release Lever Part #	Adjustment	Carton Quantity
2070-3D-RL	Height: +3mm Side-to-Side: ± 1.5mm from center or +3mm total In-Out: +3mm	30 pair (1 pr. bag)

Rear Brackets Part #	Material	Carton Quantity
2070-RBMA	Metal	60
2070-RBPA	Plastic with dowels	60

Recommended Fasteners	
#7 x 5/8" Phillips Panhead	Slide Fastener
#7 x 3/4" Phillips Panhead	Release Lever Fastener

Knap & Vogt Limited Warranty Limited Lifetime Warranty for Commercial Business Products

This warranty is given to the initial purchaser of new commercial products purchased from Knap & Vogt Manufacturing Company and its subsidiaries. The warranty covers defects in materials and workmanship. The warranty does not apply to defects resulting from misuse, damage or abuse, normal wear and tear, accident, modification, improper installation or maintenance, third party materials or damage during shipping. The warranty is not transferable and does not cover any subsequent purchasers of the products.

Definitions of the specific warranty time periods by product can be obtained from Customer Service at 800-253-1561. The warranty time period begins on the date of purchase for all products. Applicable warranty time periods are based on one 8-hour shift per day usage, and warranty time periods are adjusted and shortened proportionally for any multiple shift or excess usage.

During the warranty period, Knap & Vogt, will, at its option, repair or replace any defective product with a comparable product or component. This limited warranty is for repair or replacement of defective products only and does not cover any other costs such as removal, installation, or other related expenses.

For warranty service, please contact Knap & Vogt Manufacturing Company, 2700 Oak Industrial Drive, Grand Rapids, MI 49505, Attention: Customer Service. Information regarding the claimed defect and date of purchase of the product must be provided. Any defective product must be returned postage or freight prepaid to Knap & Vogt.

THIS LIMITED WARRANTY CONSTITUTES THE ONLY WARRANTY FOR THE PRODUCTS AND ALL OTHER WARRANTIES OR REPRESENTATIONS, EXPRESS OR IMPLIED, BY OPERATION OF LAW OR OTHERWISE, INCLUDING BUT NOT LIMITED TO ANY IMPLIED WARRANTY OF MERCHANTABILITY OR FITNESS FOR A PARTICULAR PURPOSE, ARE EXPRESSLY DISCLAIMED (some states do not allow limitations on how long an implied warranty lasts).

THIS LIMITED WARRANTY CONSTITUTES THE SOLE REMEDY AVAILABLE WITH REGARD TO ANY DEFECTIVE PRODUCTS. KNAPE & VOGT SHALL NOT BE LIABLE FOR ANY INCIDENTAL, INDIRECT, CONSEQUENTIAL OR SPECIAL DAMAGES, INCLUDING WITHOUT LIMITATION, LOSS OF TIME, INCONVENIENCE, OR LOST REVENUES OR PROFITS (some states do not allow the exclusion or limitation of incidental or consequential damages).

Copyright © 2023 Knap & Vogt Manufacturing Company, all rights reserved.
Standard KV Commercial Warranty



KNAPE & VOGT

2700 Oak Industrial Dr. NE
Grand Rapids, MI 49505-6026 USA
1.800.253.1561 | 616.459.3311
Fax: 877.636.3290
www.kv.com

Manufactured by Knap & Vogt Asia / Taipei, Taiwan. Distributed by Knap & Vogt Manufacturing Company.

This and other KV literature is available for download at www.kv.com > Resource Library.

Knap & Vogt reserves the right to change product specifications at any time without notice and without incurring responsibility for existing units.

©2023 Knap & Vogt. KV GSlide. KV and the KV logo are trademarks of Knap & Vogt.

OL2901/0323