



6043E1
Dual screen option

6033E1

Altissimo-Prime™ Sit-Stand Workstation

KV is pleased to introduce the Altissimo-Prime™ Sit-Stand Workstation that will allow users to easily transform their existing desk to a sit-stand workstation.

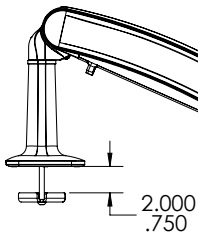
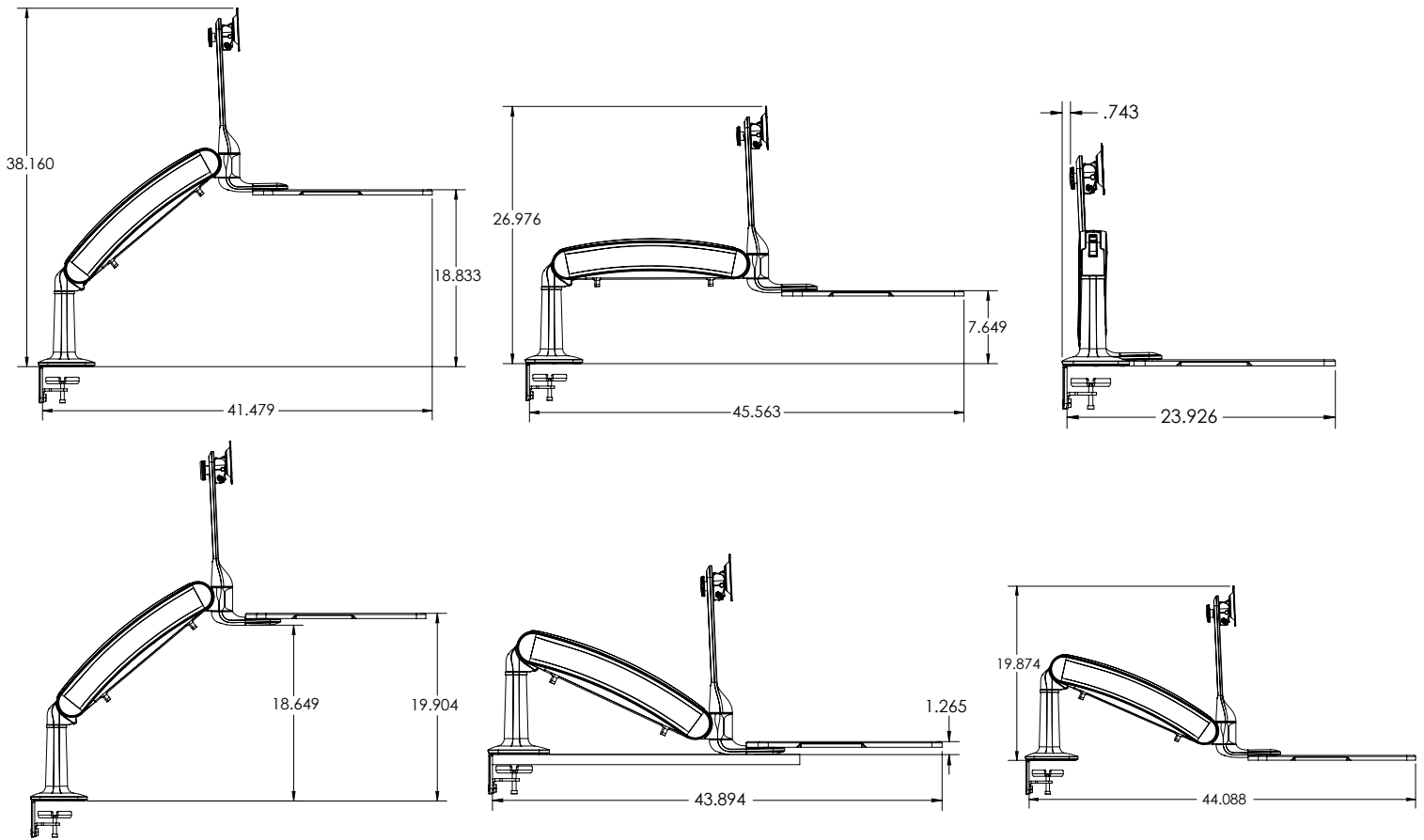
The Altissimo-Prime™ uses a gas assist counter balanced arm to raise and lower the single surface workstation through 18.5" of smooth acting height adjustment with

industry leading stability. To maximize the use of the desk surface, the work surface can also be swung to the side when not in use.

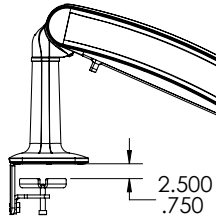
Beautifully designed, the Altissimo-Prime™ will complement every working environment and provide a sit-stand workstation that allows users to experience health benefits as part of the 'Sit-Stand Revolution'.

6033 Series, Single Surface Sit-Stand Workstation

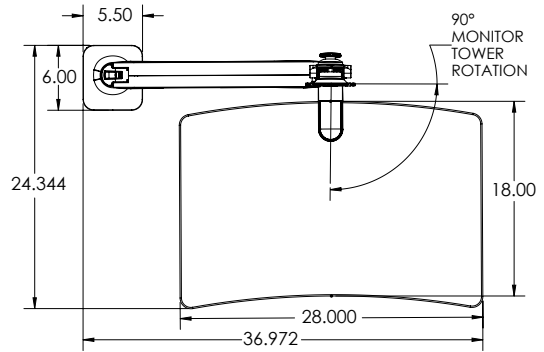
Features	Benefits
Height adjustment range of 18.5"	A large adjustment range allows most users to experience the benefits of a sit-stand workstation
6.5-24.5 lbs. total weight capacity (6033E1) 1.5-19.5 lbs. total weight capacity (6043E1)	Accommodates a wide range of technology requirements with balanced functionality
Well sized 28" x 18" work surface	The spacious work surface accommodates any keyboard and mousing device with plenty of room for extras
Under-or-over work surface mount option	Flexible option for a obstruction free work surface or a work surface flush to the desk
Integrated cable management system	Cable management clips easily enable the user to store all their technology cables neatly and securely
6.3" of independent monitor height adjustment	Use the soft touch knob, with safety monitor stop, to adjust the monitor height to desired positions
180° independent monitor swivel	Information sharing is seamless
Monitor tilts, rotates and pans	Easily arrange the screen into the most optimal viewing angle for maximum comfort and productivity
Quick connect VESA plate	Saves time for quick installations and allows for easy removal of monitors for storage or security purposes
Available as either single or dual monitor unit	Monitor flexibility allows end users to customize their technology solution
Grommet and clamp mounts are provided	Installation versatility makes the Altissimo-Prime™ compatible with almost any desk or work surface and allows the arm to be positioned in the most suitable location to ensure optimal reach and positioning.
TAA Compliant	A requirement of many governmental purchasing contracts
Multiple color options available	Offered in black or silver designed to complement existing office environments and new décor trends
5 Year Warranty	The Altissimo-Prime™ has been product tested to over 20,000 cycles exceeding the industry standard by 100% and ensuring consist performance and flexibility



Grommet Mount



Clamp Mount



Altissimo-Prime™ Sit-Stand Workstation

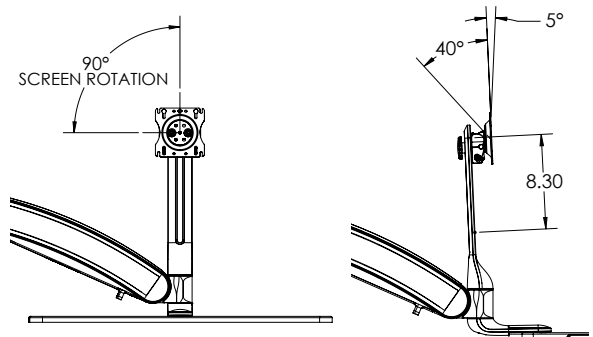
6033 series, with single surface

Ancillary Products:

- Altissimo Dual Mount Kit

Model	Adjustment Range	Weight Capacity	Box Size	Box Weight	Color	Weight
6033E1 (Single Mount)	18.5"	6.5-24.5 lbs.	22" x 40" x 9"	35 lbs.	Black	29 lbs.
6043E1 (Dual Mount)	18.5"	1.5-19.5 lbs.	22" x 40" x 9"	41 lbs.	Black	33 lbs.
6033AS1 (Single Mount)	18.5"	6.5-24.5 lbs.	22" x 40" x 9"	35 lbs.	Silver	29 lbs.
6043AS1 (Dual Mount)	18.5"	1.5-19.5 lbs.	22" x 40" x 9"	41 lbs.	Silver	33 lbs.

Notes: 1. Weight = packaged shipping weight per unit. 2. Specifications are subject to change without notice.



2700 Oak Industrial Dr. NE
Grand Rapids, MI 49505-6026 USA
1.800.253.1561 | 616.459.3311
Fax: 877.636.3290
www.kv.com

This and other KV literature is available for download at www.kv.com > Resource Library

Knap & Vogt reserves the right to change product specifications at any time without notice and without incurring responsibility for existing units.
©2016 Knap & Vogt. KV and the KV logo are trademarks of Knap & Vogt.