











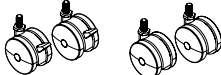
# ALLEGRETTO™ HEIGHT ADJUSTABLE TABLE PLANNING GUIDE

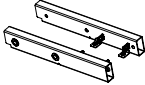

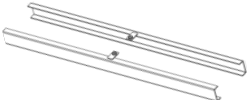

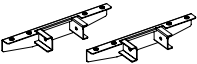


# Allegretto Height Adjustable Table Planning Guide

## Planning Guide Instructions

- 1 Find work surface shape and reference page number.
- 2 Go to corresponding page and confirm that your top shape (Width x Depth) fits a specified range.
- 3 From Step 2, select the 'Table Base Required' and the 'Extra Parts Required' to build the table base for your specific work surface.

WORK SURFACE SHAPE		PAGE
RECTANGLE		3
RECTANGLE - Bi-Level		3
RECTANGLE - Curved		3
RECTANGLE - Concave		3
CORNER OFFSET - LH/RH		4
CORNER OFFSET - Keyboard Cutout		5
CORNER 90° - Equal Sides		6
CORNER - Equal		6
CORNER - Equal Bi-Level		6
120° CORNER		7
Other Available Upgrades		7


PARTS LIST	
TCACC002*0350 - Outer Frame Set, 350mm	
TCACC001*0400 - Inner Frame Set, 400mm	
TCACC001*0810 - Inner Frame Set, 810mm	
TCACC008*120 - Mid Post Frame, 120°	
TCACC003*0380 - Side Support Bracket, Short T, 380mm	

If your table top dimension falls outside of a given range, go up to the next size.  
 To specify color, replace the "\*" in part number with: **B** = Black **S** = Silver  
 For example, to get a TCACC002\*0350 in Black, order TCACC002**B**0350.

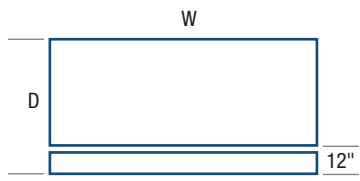
# Rectangle Table Options

TABLE SHAPE	W	D	TABLE BASE REQUIRED	EXTRA PARTS REQUIRED
-------------	---	---	---------------------	----------------------

## RECTANGLE

	28"-47"	23"/24"	TCSS24A36*	TCACC002*0350 - Outer Frame Set, 350mm Order Quantity = 2
	48"-96"	23"/24"	TCSS24A36*	Not required
	28"-47"	29"/30"	TCSS30A36*	TCACC002*0350 - Outer Frame Set, 350mm Order Quantity = 2
	48"-96"	29"/30"	TCSS30A36*	Not required

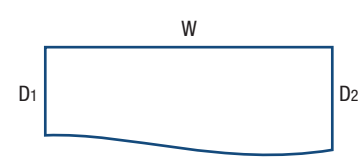
## RECTANGLE - BI-LEVEL

	28"-48"	30"-35"	TCSS24A36*	TCACC002*0350 - Outer Frame Set, 350mm Order Quantity = 2 TCACC003*0380 - Side Support Bracket, Short T, 380mm Order Quantity = 1
---	---------	---------	------------	--

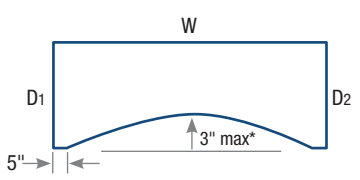
\* B = Black  
\* S = Silver

TABLE SHAPE	W	D <sub>1</sub>	D <sub>2</sub>	TABLE BASE REQUIRED	EXTRA PARTS REQUIRED
-------------	---	----------------	----------------	---------------------	----------------------

## RECTANGLE - CURVED

	28"-47"	23"/24"	29"/30"	TCSS24A36*	TCACC002*0350 - Outer Frame Set, 350mm Order Quantity = 2
	48"-96"	23"/24"	29"/30"	TCSS24A36*	Not required

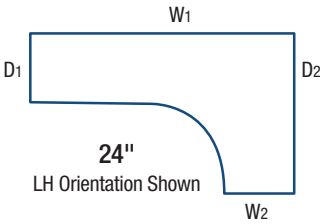
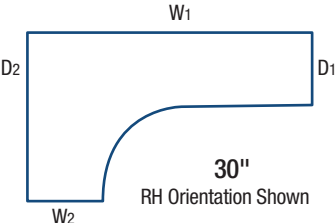
## RECTANGLE - CONCAVE

	28"-47"	23"/24"	23"/24"	TCSS30A36*	TCACC002*0350 - Outer Frame Set, 350mm Order Quantity = 2
	48"-96"	29"/30"	29"/30"	TCSS30A36*	Not required

\*Not to exceed offset of 3"

\* B = Black  
\* S = Silver

# Corner Offset LH and RH Table Options

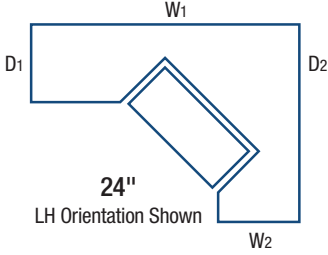
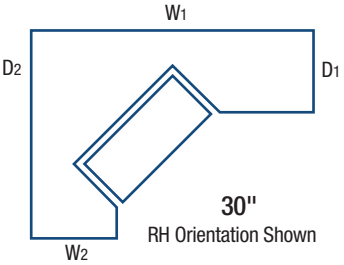
TABLE SHAPE	W <sub>1</sub>	W <sub>2</sub>	D <sub>1</sub>	D <sub>2</sub>	TABLE BASE REQUIRED	EXTRA PARTS REQUIRED
<b>CORNER OFFSET - LH AND RH</b>						
 <p>24" LH Orientation Shown</p>	58"-69"	23"/24"	23"/24"	34"-46"	<b>TCLS24A36*</b>	<b>TCACC001*0400</b> - Inner Frame Set, 400mm Order Quantity = 1 <b>TCACC002*0350</b> - Outer Frame Set, 350mm Order Quantity = 1
	70"-72"	23"/24"	23"/24"	34"-46"	<b>TCLS24A36*</b>	<b>TCACC002*0350</b> - Outer Frame Set, 350mm Order Quantity = 1
	70"-84"	23"/24"	23"/24"	47"-57"	<b>TCLS24A36*</b>	Not required
 <p>30" RH Orientation Shown</p>	70"-84"	23"/24"	23"/24"	58"-69"	<b>TCLS24A36*</b>	<b>TCACC001*0810</b> - Inner Frame Set, 810mm Order Quantity = 1
	58"-69"	29"/30"	29"/30"	40"-46"	<b>TCLS30A36*</b>	<b>TCACC001*0400</b> - Inner Frame Set, 400mm Order Quantity = 2 <b>TCACC002*0350</b> - Outer Frame Set, 350mm Order Quantity = 1
	70"-84"	29"/30"	29"/30"	40"-57"	<b>TCLS30A36*</b>	<b>TCACC001*0400</b> - Inner Frame Set, 400mm Order Quantity = 1 <b>TCACC002*0350</b> - Outer Frame Set, 350mm Order Quantity = 1
	70"-84"	29"/30"	29"/30"	58"-69"	<b>TCLS30A36*</b>	<b>TCACC001*0810</b> - Inner Frame Set, 810mm Order Quantity = 1

\* B = Black  
\* S = Silver

If your table top dimension falls outside of a given range, go up to the next size.

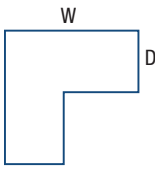
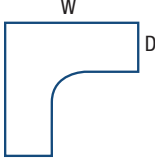
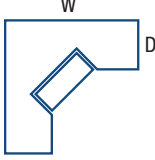
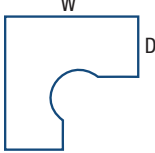
To specify color, replace the "" in part number with: **B** = Black **S** = Silver  
For example, to get a TCACC002\*0350 in Black, order TCACC002**B**0350.

# Corner Offset Keyboard Cutout Table Options

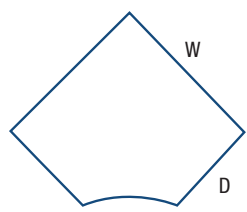
TABLE SHAPE	W <sub>1</sub>	W <sub>2</sub>	D <sub>1</sub>	D <sub>2</sub>	TABLE BASE REQUIRED	EXTRA PARTS REQUIRED
<b>CORNER OFFSET - KEYBOARD CUTOUT</b>						
	58"-69"	23"/24"	23"/24"	34"-46"	TCLS24A36*	TCACC001*0400 - Inner Frame Set, 400mm Order Quantity = 1 TCACC002*0350 - Outer Frame Set, 350mm Order Quantity = 1
	70"-72"	23"/24"	23"/24"	34"-46"	TCLS24A36*	TCACC002*0350 - Outer Frame Set, 350mm Order Quantity = 1
	70"-84"	23"/24"	23"/24"	47"-57"	TCLS24A36*	Not required
	70"-84"	23"/24"	23"/24"	58"-69"	TCLS24A36*	TCACC001*0810 - Inner Frame Set, 810mm Order Quantity = 1
	58"-69"	29"/30"	29"/30"	40"-46"	TCLS30A36*	TCACC001*0400 - Inner Frame Set, 400mm Order Quantity = 2 TCACC002*0350 - Outer Frame Set, 350mm Order Quantity = 1
	70"-84"	29"/30"	29"/30"	40"-57"	TCLS30A36*	TCACC001*0400 - Inner Frame Set, 400mm Order Quantity = 1 TCACC002*0350 - Outer Frame Set, 350mm Order Quantity = 1
	70"-84"	29"/30"	29"/30"	58"-69"	TCLS30A36*	TCACC001*0810 - Inner Frame Set, 810mm Order Quantity = 1

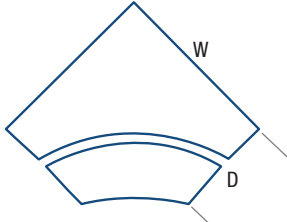
\* B = Black  
\* S = Silver

# Corner Table Options

TABLE SHAPE	W	D	TABLE BASE REQUIRED	EXTRA PARTS REQUIRED
<b>CORNER - EQUAL SIDES</b>				
	48"-60"	23"/24"	<b>TCLS24A36*</b>	<b>TCACC001*0400</b> - Inner Frame Set, 400mm Order Quantity = 2
	61"-84"	23"/24"	<b>TCLS24A36*</b>	Not required
	48"-60"	29"/30"	<b>TCLS30A36*</b>	Not required
	61"-84"	29"/30"	<b>TCLS30A36*</b>	Not required

\* B = Black  
\* S = Silver

TABLE SHAPE	W	D	TABLE BASE REQUIRED	EXTRA PARTS REQUIRED
<b>CORNER - EQUAL SIDES</b>				
	34"-47"	23"/24"	<b>TCSS24A36*</b>	<b>TCACC002*0350</b> - Outer Frame Set, 350mm Order Quantity = 2
	48"	29"/30"	<b>TCSS30A36*</b>	<b>TCACC002*0350</b> - Outer Frame Set, 350mm Order Quantity = 2

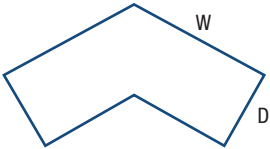
<b>CORNER - EQUAL SIDES BI-LEVEL</b>				
	40"-47"	23"/24"	<b>TCSS24A36*</b>	<b>TCACC002*0350</b> - Outer Frame Set, 350mm Order Quantity = 1 <b>TCACC003*0380</b> - Side Support Bracket, Short T, 380mm Order Quantity = 1
	48"	29"/30"	<b>TCSS30A36*</b>	<b>TCACC002*0350</b> - Outer Frame Set, 350mm Order Quantity = 1 <b>TCACC003*0380</b> - Side Support Bracket, Short T, 380mm Order Quantity = 1

\* B = Black  
\* S = Silver

If your table top dimension falls outside of a given range, go up to the next size.

To specify color, replace the ""\*"" in part number with: **B** = Black **S** = Silver  
For example, to get a TCACC002\*0350 in Black, order TCACC002**B**0350.

# Corner Table Options

TABLE SHAPE	W	D	TABLE BASE REQUIRED	EXTRA PARTS REQUIRED
<b>CORNER 120° - EQUAL SIDES</b>				
	36"-47"	24"-27"	<b>TCLS24A36*</b>	<b>TCACC008*120</b> - Mid Post Frame, 120° Order Quantity = 1
	48"-53"	24"-27"	<b>TCLS24A36*</b>	<b>TCACC001*0400</b> - Inner Frame Set, 400mm Order Quantity = 2 <b>TCACC008*120</b> - Mid Post Frame, 120° Order Quantity = 1
	54"-59"	24"-27"	<b>TCLS24A36*</b>	<b>TCACC001*0810</b> - Inner Frame Set, 810mm Order Quantity = 2 <b>TCACC008*120</b> - Mid Post Frame, 120° Order Quantity = 1
	60"-72"	24"-27"	<b>TCLS24A36*</b>	<b>TCACC008*120</b> - Mid Post Frame, 120° Order Quantity = 1

\* B = Black  
\* S = Silver

## Other Available Upgrades

ITEM	DESCRIPTION
<b>TCACC004B60</b> 	Caster Kit, 60mm, 2 Locking / 2 Non Locking, Black only
<b>TCACC005B</b> 	Two Button, Flush Mount Control (Display in cm only), Black
<b>TCACC005S</b> 	Two Button, Flush Mount Control (Display in cm only), Silver
<b>TCACC006B</b> 	Four Button, Three Memory Presets, Programmable Flush Mount Control (Display in cm only), Black only
<b>TCACC007B</b> 	Six Button, Three Memory Presets, Programmable Under Mount Control (Display in cm only), Black only
<b>TCACC009B</b> 	Seven Button, Four Memory Presets, Programmable Under Mount (Display in inches only), Black



2700 Oak Industrial Dr. NE  
Grand Rapids, MI 49505-6026 USA  
1.800.253.1561 | 616.459.3311  
Fax: 877.636.3290  
[www.kv.com](http://www.kv.com)

*This and other KV literature is available for download at [www.kv.com](http://www.kv.com) > Resource Library*

*Knap & Vogt reserves the right to change product specifications at any time without notice and without incurring responsibility for existing units.  
©2016 Knap & Vogt. KV and the KV logo are trademarks of Knap & Vogt.*

OL2981/0117