

Medium-Duty

75 lb. Load Class

Max. Drawer Material: 5/8"



GS2070A Soft-Closing Undermount Drawer Slides

- Three dimensional front release lever adjustment. In-Out, Side-to-Side and Height Adjustments.
- Compatible with 1/2" to 5/8" drawer box material thickness

Applications

- Wood residential and commercial furniture
- Drawers requiring concealed slides or soft-close feature

Specifications

Model: GS2070 Full Extension Soft-Close Undermount Drawer Slide

Drawer Material Thickness: 1/2" to 5/8"

Module: Soft-Close

Mounting: Undermount

Disconnect: Lever Release

Hole Pattern: 32mm

Face-Frame Mounting: Yes

Type: Roller Bearing

Travel: Full Extension

Finish: Zinc

Length: 12", 15", 18", 21"

Height: 1.80" [45.7mm]

Release Levers: 2070-3D-RL: In-Out, Side-to-Side and Height Adjustments

Action: Telescopic

Slide Configuration: Handed

Packaging: Bulk Pack: 6 pair per carton - 12", 15", 18", 21"

Rating

Load: 75 lb.

As with all Knap & Vogt drawer slides, the KV GS2070 is designed to meet or exceed ANSI performance standards as established by BIFMA, BHMA and KCMA.

Accessories

2070-RBMA: Rear Mounting Bracket (Metal). Can be used on all slide lengths. 60 pcs per ctn.

2070-RBPA: Rear Mounting Bracket (Plastic). Can be used on all slide lengths. 60 pcs per ctn.

Hardware

Slide Fasteners: #7 x 5/8" Flat Head

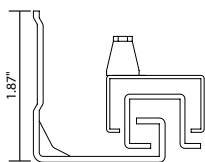
Release Levers: #7 x 3/4" Flat Head

Warranty

Limited Lifetime Warranty



Profile



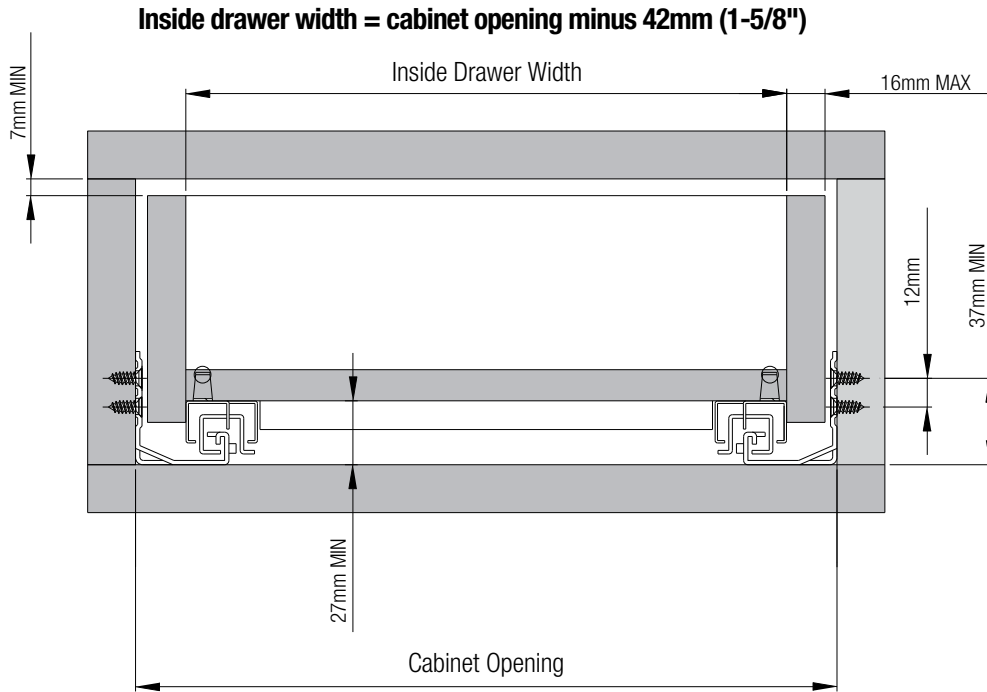
Material Thickness

GS2070A: 1/2" to 5/8"

Slide Part #	Nominal Length	Carton Quantity
KVGS-2070AB 12	12" [305mm]	6 pair
KVGS-2070AB 15	15" [381mm]	6 pair
KVGS-2070AB 18	18" [457mm]	6 pair
KVGS-2070AB 21	21" [533mm]	6 pair
Release Lever Part #	Adjustment	Carton Quantity
2070-3D-RL	Height: +3mm Side-to-Side: ± 1.5mm from center or +3mm total In-Out: +3mm	30 pair (1pr. bag)
Rear Brackets Part #	Material	Carton Quantity
2070-RBMA	Metal	60
2070-RBPA	Plastic with dowels	60

Technical Information

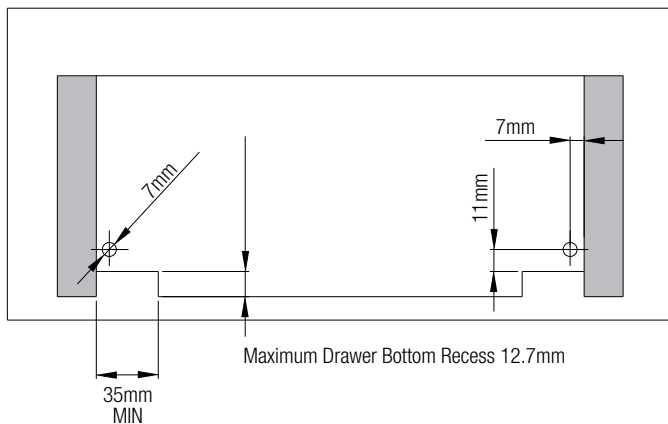
Drawer Dimensions



Outside Drawer Width Calculation

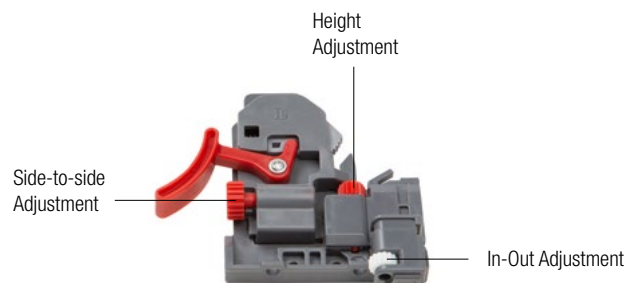
Drawer Thickness	Deduct from Opening Width
5/8" [16mm]	3/8" [10mm]
9/16" [14mm]	9/16" [14mm]
1/2" [13mm]	5/8" [16mm]

Drawer Notch & Bore



Release Lever Adjustment

Part Number	Height	Side-to-Side	In-Out
2070-3D-RL	+ 1/8" [3mm]	± 1/16" [1.5mm] from center or +1/8" [3mm] total	+ 1/8" [3mm]



Accessories



2070-RBMA
Rear Mounting Bracket (Metal)
Carton Qty: 60 pcs.



2070-RBPA
Rear Mounting Bracket (Plastic) with Dowels
Carton Qty: 60 pcs.



KNAPE & VOGT
2700 Oak Industrial Dr. NE
Grand Rapids, MI 49505-6026 USA
1.800.253.1561 | 616.459.3311
Fax: 877.636.3290
www.kv.com

This and other KV literature is available for download at www.kv.com > Resource Library

Knap & Vogt reserves the right to change product specifications at any time without notice and without incurring responsibility for existing units.
©2023 Knap & Vogt. KV and the KV logo are trademarks of Knap & Vogt.

0L3042/0323