



7805S

Concerto

The 7805S Concerto fills the need in today's office for flat panel display support that can adapt to a wide variety of configurations and applications. This economical single screen monitor arm gives the user the ability to quickly find the ultimate ergonomic position for the flat panel display at an affordable price.

7800 series

Features & Benefits

Patented Quick-Connect adaptor allows fast, simple assembly.

Includes Allen keys for tilt adjustment.

The arm swivels 360° around the base, increasing the options for display position

The Concerto supports a 20 lb. load capacity (per screen)

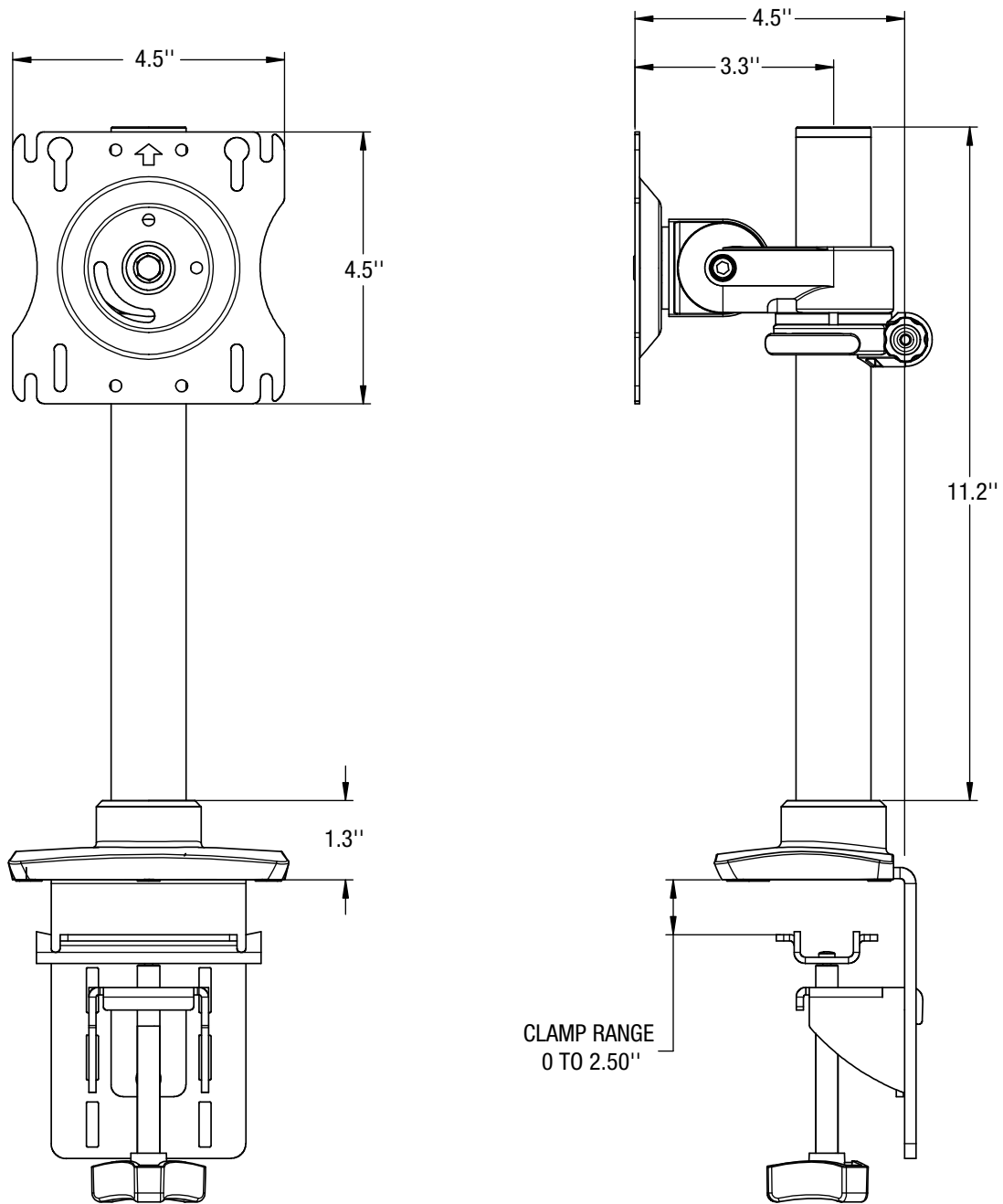
Options are available for panel, wall and slatwall mounting configurations

Desk clamp and grommet mount hardware are included to minimize SKUs

Clamp and grommet adjustable to fit most desks and work surfaces

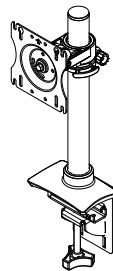
Monitor mounting bracket contains both 75mm and 100mm hole patterns to comply with VESA standards

Pole allows manual height adjustment through a 12" range



Concerto Monitor Arm 7800 series

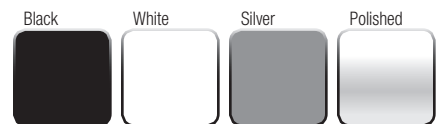
Model	Description
7805	Single-Screen, No Extension



Color Options

To specify a colour, add the letter at the end of the part number with:
B = Black **W** = White **S** = Silver **P** = Polished

For example, to get a "7805" in silver, order 7805S.



Notes: 1. Weight = packaged shipping weight per unit. 2. Specifications are subject to change without notice.



2700 Oak Industrial Dr. NE
 Grand Rapids, MI 49505-6026 USA
 1.800.253.1561 | 616.459.3311
 Fax: 877.636.3290
 www.kv.com

This and other KV literature is available for download at www.kv.com > Resource Library

Knap & Vogt reserves the right to change product specifications at any time without notice and without incurring responsibility for existing units.
 ©2018 Knap & Vogt. KV and the KV logo are trademarks of Knap & Vogt.