

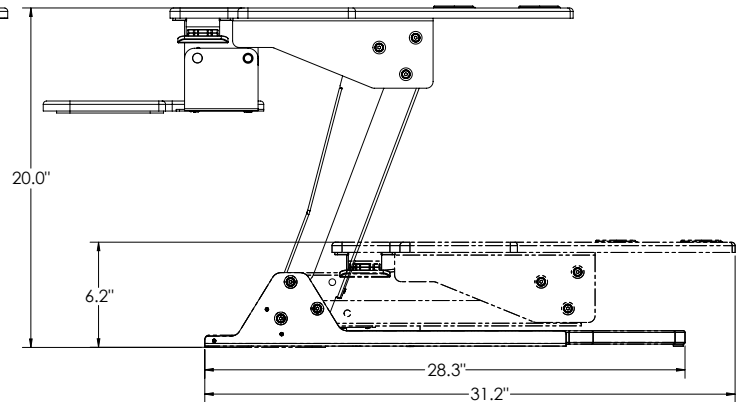
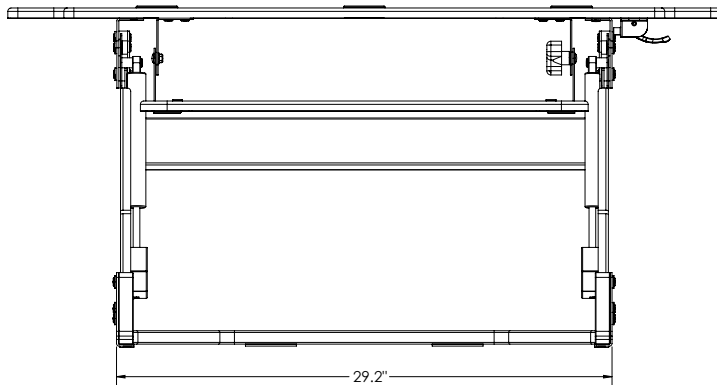
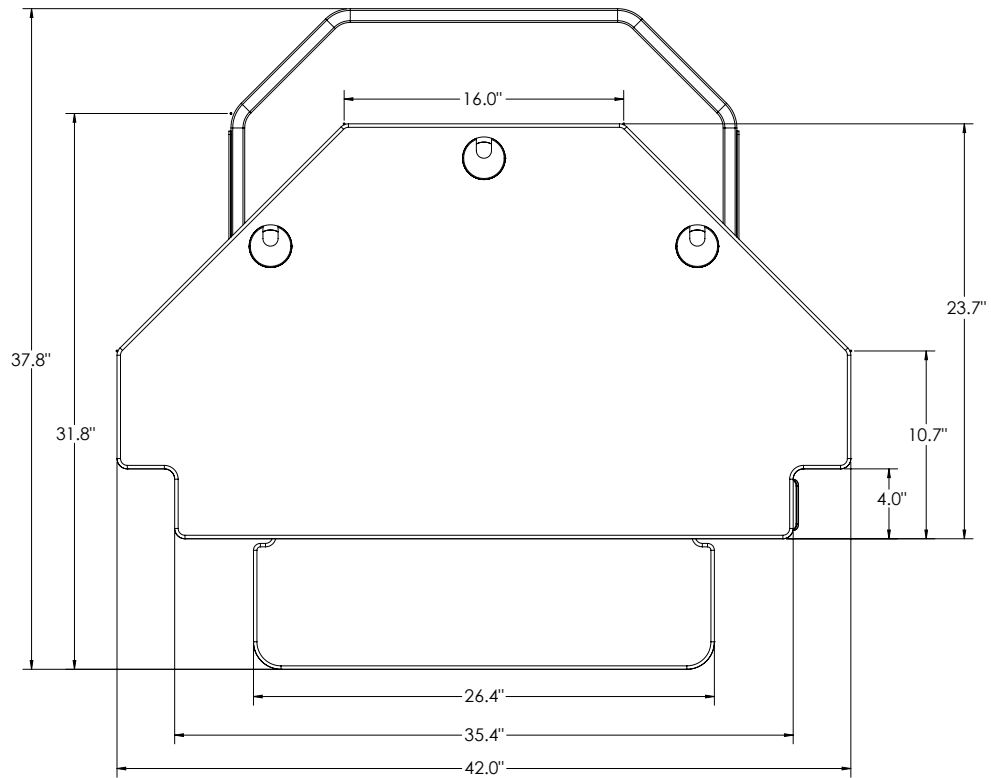


## *Volante™ Corner Desktop Sit-Stand Workstation*

Fitting neatly into the corner of a 90° desk, the Volante Corner Desktop Sit-Stand Workstation instantaneously converts the desk to a stable, smooth operating and ergonomic sit-stand workstation. With a 42" wide

primary work surface specially designed to fit corner desk applications and a robust 35 lbs. load capacity, the Volante easily accommodates two 27" monitors and still has extra space for other work tools.

Features	Benefits
Designed to fit 90° corner desk applications	Maximize the functionality of the traditional 'wasted space' in the desk corner
Single paddle height adjustment control	Single paddle activation for added control when raising or lowering the workstation
Gas assist height adjustment	Smooth, quiet and infinite height adjustment through a 13.8" range to easily set the workstation to an ideal ergonomic position
42" wide primary work surface	Easily accommodates two 27" monitors
Primary work surface can be extended 20" above the desk	A large height adjustment range accommodates a greater variety of users
35 lbs. total weight capacity	Strong enough to support user's technology requirements
Three grommet holes in the primary work surface	Offers cable management and attachment of a KV monitor arm to improve ergonomic functionality and to clear the primary work surface
Keyboard surface adjusts with the primary work surface	Improved ergonomics over competitive units that have only one work surface
Keyboard tray has 20° of tilt	Infinitely adjust the keyboard surface tilt from -10° /+10° for an ergonomic typing position
Includes clip-on mouse fence	The moveable mouse fence has integrated cable slots to neatly control mouse cords
Preassembled and ready to use	Place in position and start working right away
Weighs 42 lbs.	Light enough for simple installation
Two year warranty	Tested to 15,000 cycles to provide worry free reliability
Available in black	A neutral color to match any office design décor

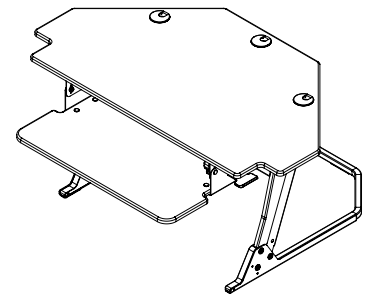


## Volante™ Corner Desktop Sit-Stand Workstation

### Ancillary Products:

- For flat panel displays, specify the Concerto, Xtend or Tempo flat panel monitor support system

Model	Description	Weight Capacity	Box Size	Shipping Weight	Color	Weight
5230B500042	Corner Desktop Sit-Stand Workstation	35 lbs.	35" x 10" x 46"	55 lbs.	Black	42 lbs.



Notes: 1. Weight = packaged shipping weight per unit. 2. Specifications are subject to change without notice.



2700 Oak Industrial Dr. NE  
 Grand Rapids, MI 49505-6026 USA  
 1.800.253.1561 | 616.459.3311  
 Fax: 877.636.3290  
 www.kv.com

This and other KV literature is available for download at [www.kv.com](http://www.kv.com) > Resource Library

Knap & Vogt reserves the right to change product specifications at any time without notice and without incurring responsibility for existing units.  
 ©2018 Knap & Vogt. KV and the KV logo are trademarks of Knap & Vogt.