



## Concerto Dual Hub

Ideal for short benches and workstations, it provides support for two monitors with the ability to adjust height while not encroaching onto the valuable work surface space.

### 7800 series

#### Features & Benefits

Single extension model provides maximum collapsability to save space

Tool-less clamp installation makes assembly quick and easy

Load capacity of 20 lbs (per screen)

Supports two screens with a maximum overall side to side width of 23.7" (per screen)

Dynamic height adjustment range of 12.5"

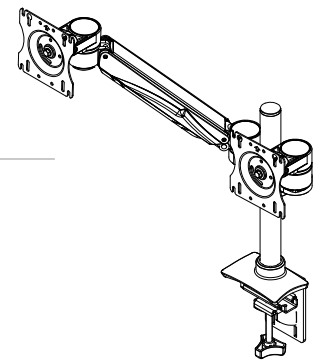
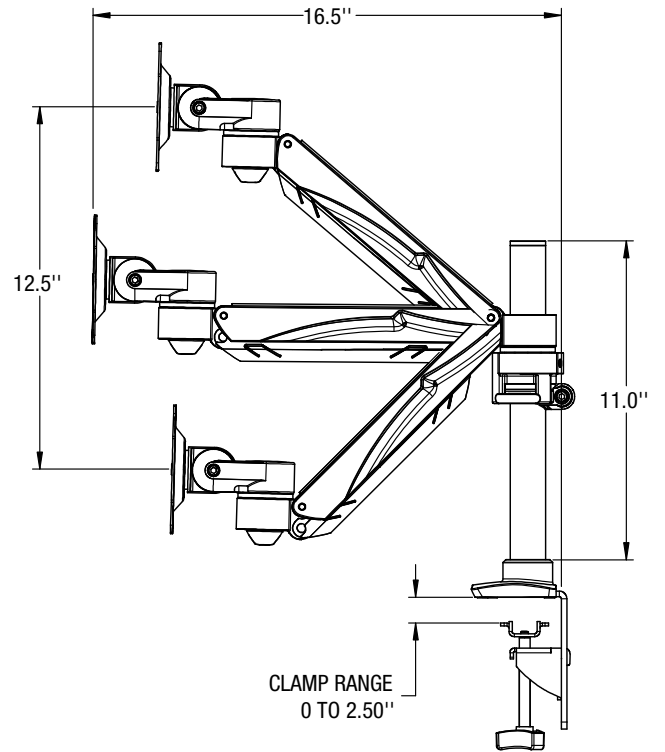
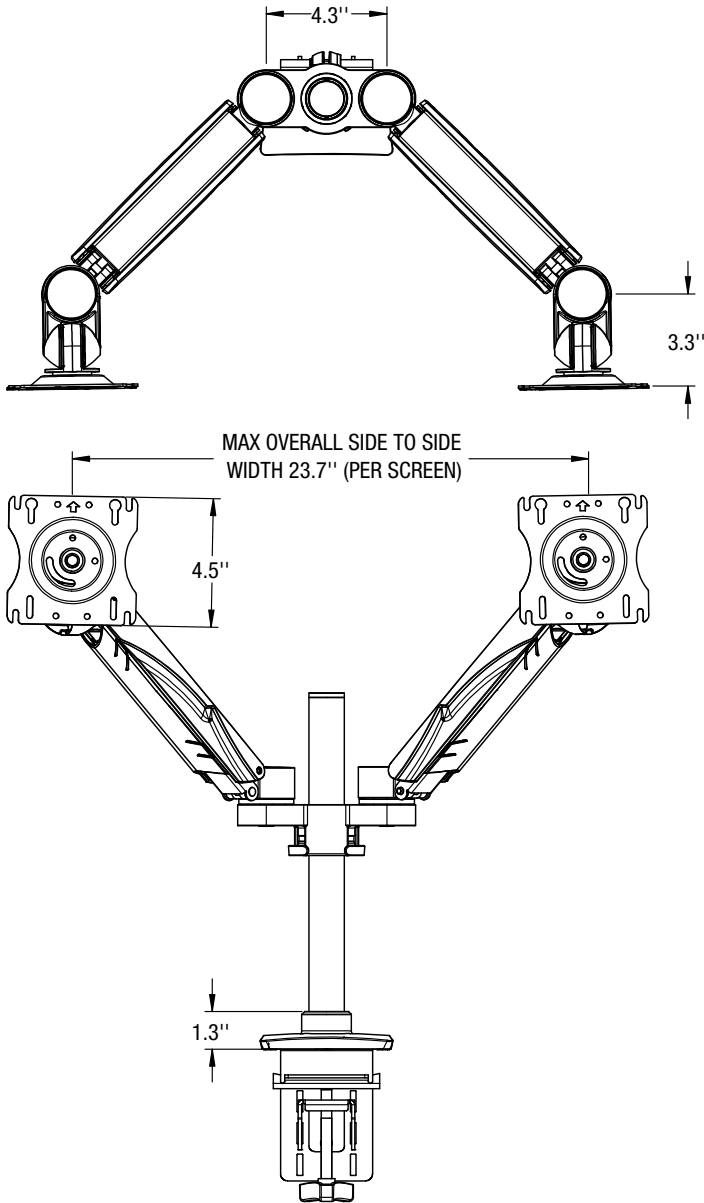
Pole allows a static height adjustment range of 11"

Cable management to keep all cables organized

Clamp and/or Grommet mount hardware included

Monitor mounting bracket, with Quick Connect, contains 75mm and 100mm hole patterns to comply with VESA standards

Choice of finish - silver, black and white



*Concerto with Height Adjustable Arm and Dual Hub* 7800 series

Model	Description
7824SHD12	Dual-screen, two height adjustable extension arms, assembled with Dual Hub

**Colour Options**

To specify colour, other than silver, replace the "S" in the part number with:

**B** = Black **W** = White

For example, to get a "7824SHD12" in white, order 7824WHD12.



Note: Specifications are subject to change without notice.



2700 Oak Industrial Dr. NE  
 Grand Rapids, MI 49505-6026 USA  
 1.800.253.1561 | 616.459.3311  
 Fax: 877.636.3290  
[www.kv.com](http://www.kv.com)

This and other KV literature is available for download at [www.kv.com](http://www.kv.com) > Resource Library

Knap & Vogt reserves the right to change product specifications at any time without notice and without incurring responsibility for existing units.  
 ©2018 Knap & Vogt. KV and the KV logo are trademarks of Knap & Vogt.