

7830SHD16

Concerto Triple

The 7830SHD16 is ideal for short benches and workstations, it provides support for three monitors with the ability to adjust height while not encroaching onto the valuable work surface space.

7800 series

Features & Benefits

Supports three screens with minimum encroachment onto work surface

Tool-less clamp installation makes assembly quick and easy

Load capacity of 20 lbs (per screen)

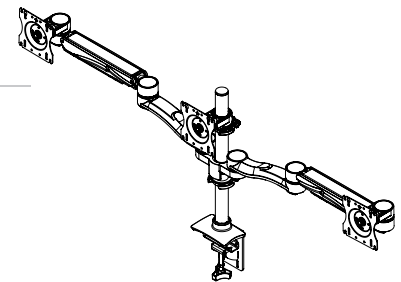
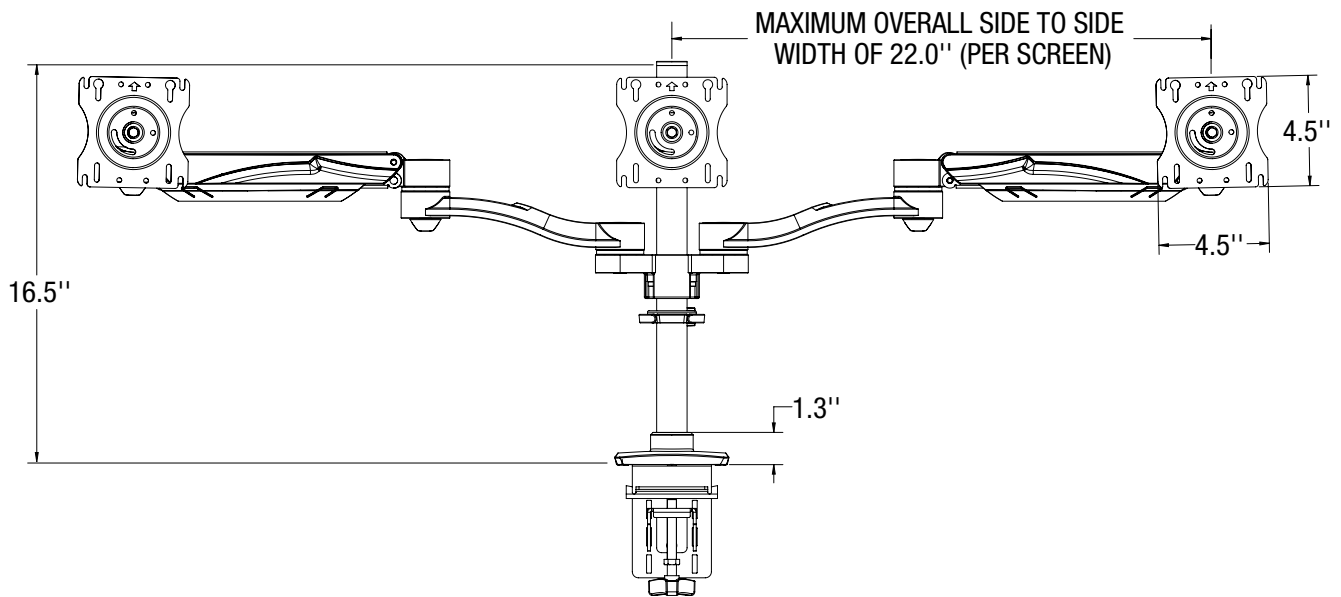
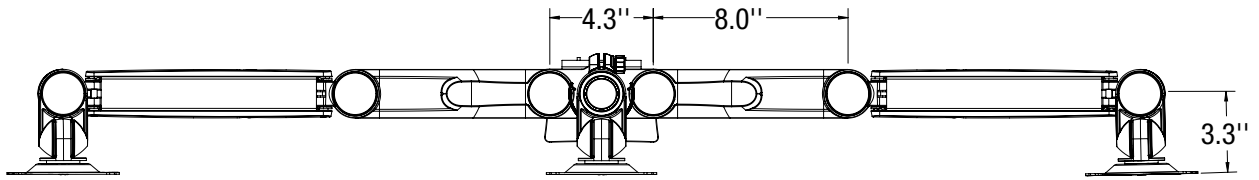
Monitor size: maximum overall side to side width of 22" (per screen)

Cable management to keep all cables organized

Clamp and/or Grommet mount hardware included

Monitor mounting bracket, with Quick Connect, contains 75mm and 100mm hole patterns to comply with VESA standards

Choice of finish - silver, black and white



Concerto Triple Screen 7800 series

Model	Description
7830SHD16	Triple screen - Two double-extension arms, one height adjustable and one fixed, assembled with Dual Hub and one extra head fixed to pole

Colour Options

To specify colour, other than silver, replace the "S" in the part number with:

B = Black **W** = White

For example, to get a "7830SHD16" in white, order 7830WHD16.



Note: Specifications are subject to change without notice.



2700 Oak Industrial Dr. NE
 Grand Rapids, MI 49505-6026 USA
 1.800.253.1561 | 616.459.3311
 Fax: 877.636.3290
www.kv.com

This and other KV literature is available for download at www.kv.com > Resource Library

Knap & Vogt reserves the right to change product specifications at any time without notice and without incurring responsibility for existing units.
 ©2018 Knap & Vogt. KV and the KV logo are trademarks of Knap & Vogt.