



C732



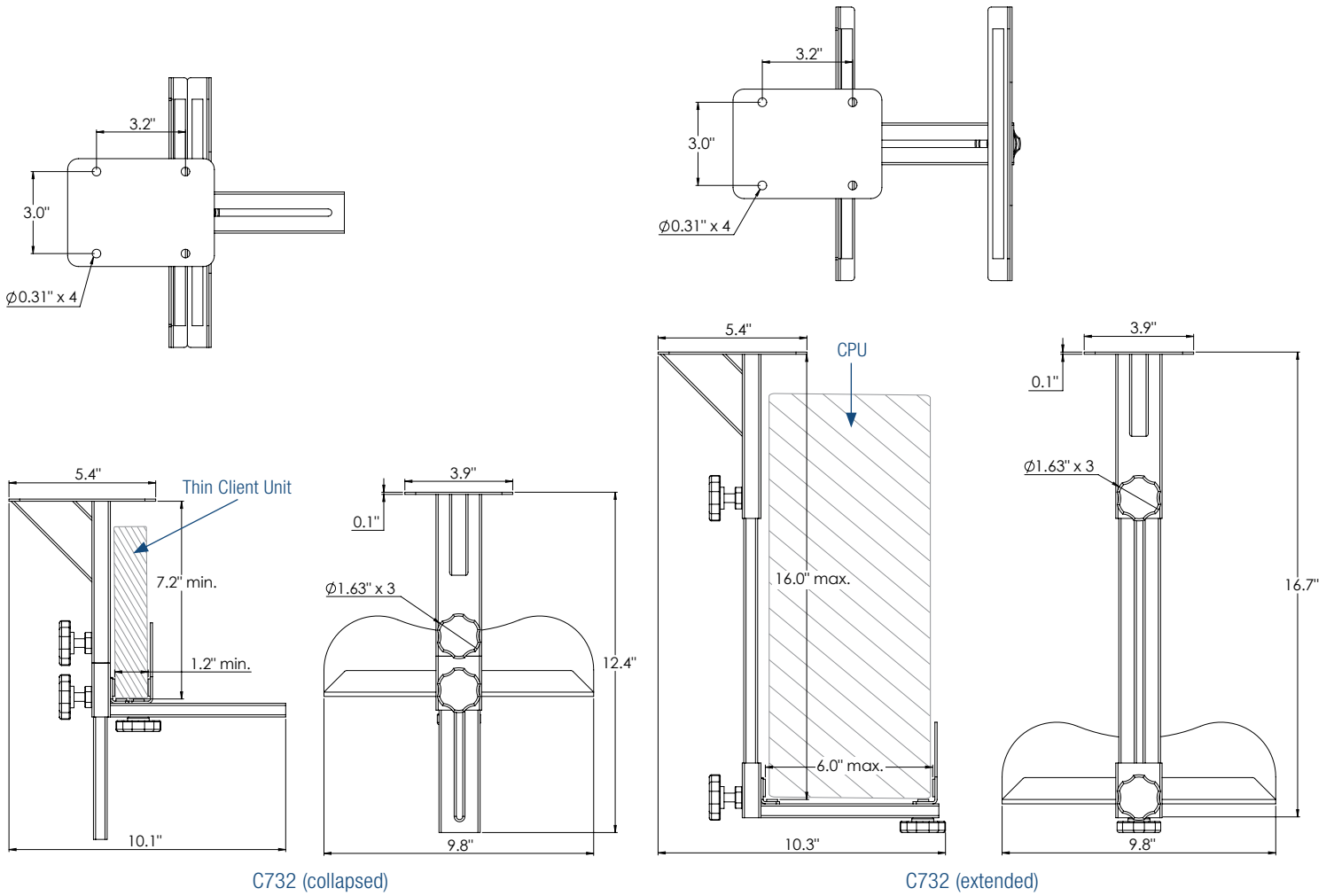
C732 (installed)

Economy Mini CPU Holder

The Economy Mini CPU holder is the solution for those individuals on a fixed budget such as students and small companies. It mounts easily to the underside of the work surface and is adjustable to accommodate from medium size CPUs to Thin Client units.

C732 series

Features	Benefits
Mounts easily under the work surface	Stores CPU's and Thin Client units safely under the desk and off the floor
Adjustable height and width	Can be used for various models of CPUs and Thin Client units
Inexpensive	Perfect for those on fixed budgets
Adjustable width (1.2" to 6.0") and height (7.2" to 16.0")	Can be customized to each workstation



C732 (collapsed)

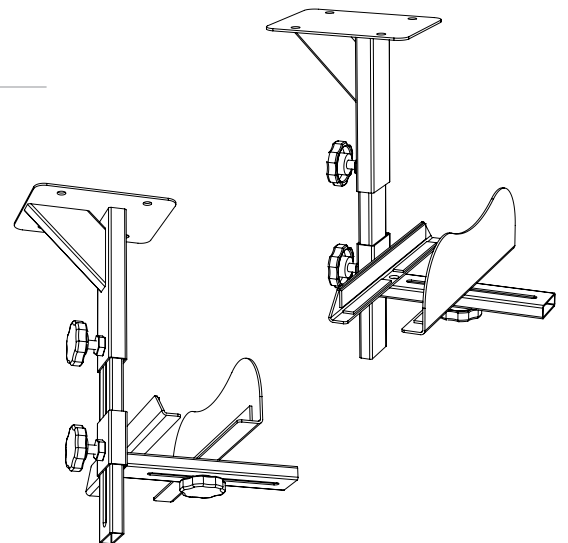
C732 (extended)

Economy Mini CPU Holder *c732 series*

Ancillary Products:

- Knappe & Vogt Waterloo CPU holders are an ideal complement to any Knappe & Vogt Waterloo keyboard supports
- Use with Knappe & Vogt Waterloo keyboard supports
- For flat panel displays, specify the Concerto flat panel support system

Model	Height Range	Width Range	Storage	Weight
C732	7.2" / 16.0"	1.2" / 6.0"	Fixed	4.2 lbs



Notes: 1. Weight = packaged shipping weight per unit. 2. Specifications are subject to change without notice.



2700 Oak Industrial Dr. NE
 Grand Rapids, MI 49505-6026 USA
 1.800.253.1561 | 616.459.3311
 Fax: 877.636.3290
 www.kv.com

This and other KV literature is available for download at www.kv.com > Resource Library

Knappe & Vogt reserves the right to change product specifications at any time without notice and without incurring responsibility for existing units.
 ©2018 Knappe & Vogt. KV and the KV logo are trademarks of Knappe & Vogt.

OL3146/0918