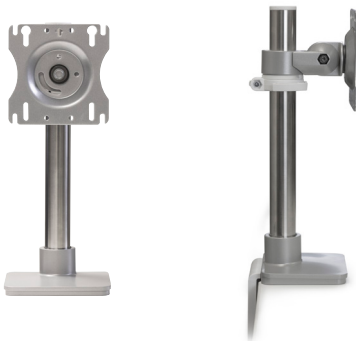




KNAPE & VOGT®



7205S12 ERGONOMIC MONITOR SUPPORT

The Concerto installs in 3 minutes for enhancing health and comfort by placing the screen at the proper height and angle. It has great return on investment by increasing productivity, reducing the need for valuable work space and avoiding time lost caused by working in non-ergonomic postures. Concerto is built in the U.S.A.



7200 series

FEATURES & BENEFITS

EASY TO INSTALL: Partially pre-assembled to reduce time. Quick-Connect Adapter helps mount technology.

MODULAR: Add extra screens for growing needs or remove screws to adapt to shifting work environments.

DURABILITY: Solid construction of steel and aluminum provides unparalleled stability and 10 year warranty.

DESIGN: Sleek and modern to match contemporary spaces.

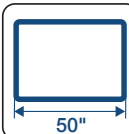
ENVIRONMENTAL STORY: Designed for disassembly using 98% of recyclable components and 13% of recycled content. Ships partially assembled to reduce shipping volume and footprint. Contributes to LEED credits. Lasts years without the need to be replaced.

UNIVERSAL MOUNT: Clamp and grommet adjustable to fit most work surfaces.

INSTALLATION
TIME



MAX SCREEN
WIDTH



WEIGHT
CAPACITY



MOUNTING
PATTERNS



BAA, TAA, GSA
COMPLIANT

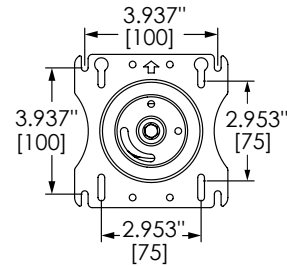
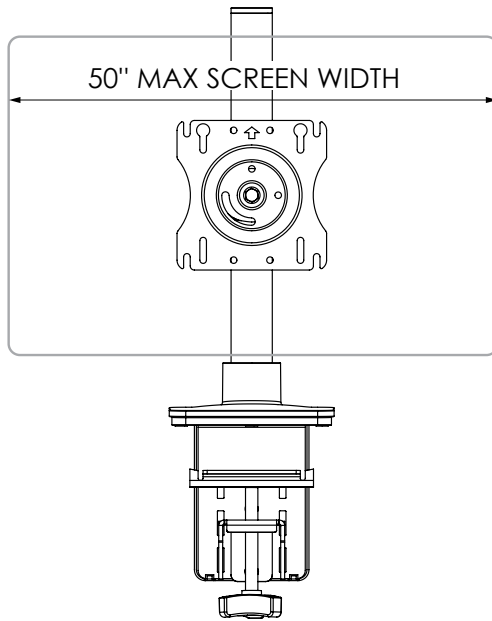
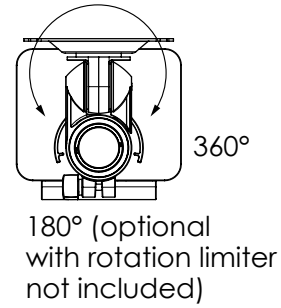
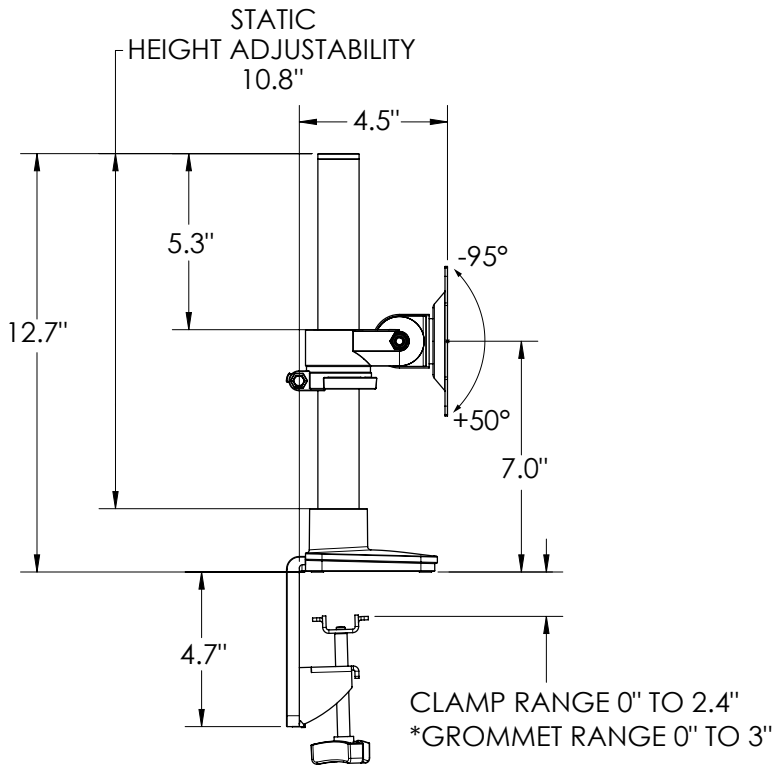


BIFMA
COMPLIANT



YEARS OF
WARRANTY





MODEL	DESCRIPTION	SHIPPING WEIGHT	SHIPPING DIMENSIONS	WEIGHT (ARM ONLY)
7205S12	Single-Screen, No Extension	5.9 lbs.	21.3" x 7.8" x 5.9"	4.2 lbs.

COLOUR OPTIONS

To specify colour, other than silver, replace the "S" in the part number with:

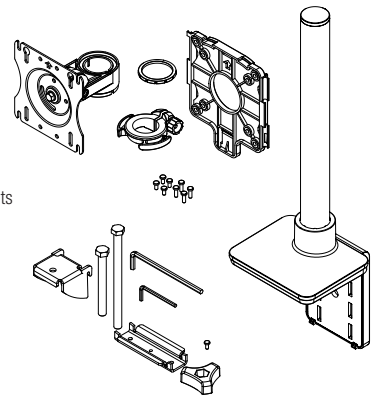
B = Black **W** = White **P** = Polished

For example, to get a "7205S12" in white, order 7205W12.



INCLUDES:

- Universal Mounting Brackets (clamp & grommet)
- Quick Connect Adapter
- Mounting Screws
- Monitor Arm
- Adjustment tools
- Installation Manual



Specifications are subject to change without notice.



2700 Oak Industrial Dr. NE
Grand Rapids, MI 49505-6026 USA
1.800.253.1561 | 616.459.3311
Fax: 877.636.3290
www.kv.com

This and other KV literature is available for download at www.kv.com > Resource Library

Knap & Vogt reserves the right to change product specifications at any time without notice and without incurring responsibility for existing units.
©2019 Knap & Vogt. KV and the KV logo are trademarks of Knap & Vogt.